



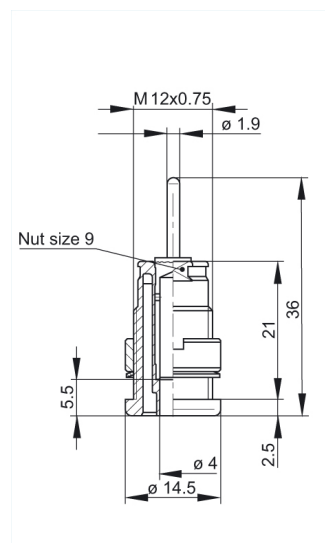
## SEB 2630 S1,9 schwarz/black

Industrial Connectors:Measuring and Testing Equipment:Sockets:4 mm safety system

### Product description

Description	Safety built-in socket, 4 mm diameter, contact-protected, with 1.9 mm soldering spike, gold-plated brass. For installation into switchpanels and equipment chassis with wall thicknesses up to 6 mm. Soldering spike can be soldered into printed boards. Accessory BES 1000. Installation hole: 12.2 mm diameter. Tightening torque: 50 Ncm.
Type	SEB 2630 S1,9 schwarz/black
Order No.	972 359-100
System	4 mm safety system
Housing Color	black
Other standard types	red color, order no. 972 359-101; blue color, order no. 972 359-102; yellow color, order no. 972 359-103; green color, order no. 972 359-104; yellow/green color, order no. 972 359-188

### Drawing



### Technical data

Type of contact	socket
Type of termination	solder
Standard	IEC 61010
Rated voltage	AC/DC 1000 V
Measurement Category	CAT II
Rated current	24 A

Contact resistance	5 mOhm
Mounting	screw
<b>Material</b>	
Contact material	brass
Contact surface material	gold-plated
Housing material	PA
<b>Environmental conditions</b>	
Temperature range	-40 °C to +80 °C
<b>Inflammability class</b>	
Housing	94 V-2