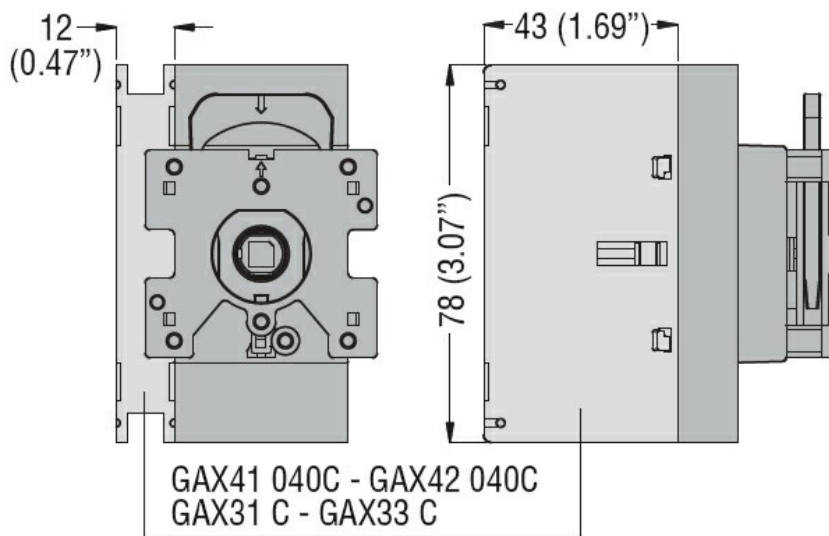




Number of poles	Nr.	1
Operating voltage type		AC
<b>Contact characteristics</b>		
IEC Conventional free air thermal current I <sub>th</sub>	A	16...40
<b>Dimensions</b>		



**Wiring diagrams**

Neutral terminal  
GAX31... - GAX32...



**Certifications and compliance**

Compliance

CSA C22.2

IEC/EN 60947-1

IEC/EN 60947-3

IEC/EN 60947-5-1

UL508

UL98

Certifications

CCC

CSA C22.2 n°14

---

cULus according to UL508

---

EAC

---

**ETIM classification**

ETIM 8.0

EC002498 -  
Accessories/spare  
parts for low-  
voltage switch  
technology