

Weatherproof Connectors

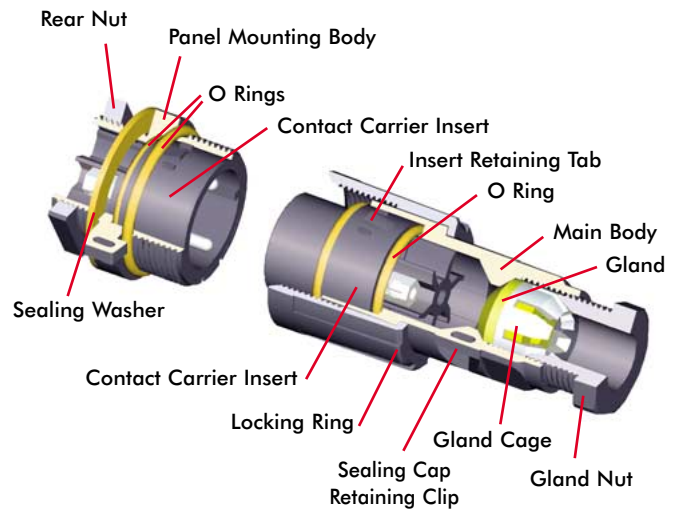
| Order code | Manufacturer code | Description |
|------------|-------------------|---|
| 23-2402 | n/a | MINI BUCC PANEL MOUNTING CONNECTOR (RC) |

| | |
|--|--------------------------|
| Weatherproof Connectors | Page 1 of 5 |
| The enclosed information is believed to be correct, Information may change without notice due to product improvement. Users should ensure that the product is suitable for their use. E. & O. E. | Revision A 20/02/2007 |

IP68



Mini Buccaneer®



BUCCANEER

- Water and dustproof to IP68 when mated
- IP68 rating tested at 1.054kg/sq cm (15lb/sq in) 10m depth for 2 weeks
- 2, 3, 4 or 6 pole screw terminal inserts
- 3 or 8 pole solder or crimp inserts
- 5 body styles, Flex, Flex In-Line, Panel (2 styles), Panel Side Entry
- 50Ω or 75Ω BNC inserts
- 5A, 380V a.c. 3 & 8 way solder/crimp terminals
- 10A, 250V a.c. 2 & 3 way screw terminals
- 6A, 250V a.c. 4 way screw terminal
- 3A, 250V a.c. 6 way screw terminal

- Plug or socket connection in each body style
- Cable range from 3.5mm - 9mm
- Diameter over coupling ring 26mm
- Positive locating keyways - cannot be mis-mated
- Sealing caps available to maintain IP68 rating of unmated connectors
- Flammability rating UL94V-0 material
- Leading earth contact for 3 pole plug version
- Compact design
- Easy assembly - no special tools required on screw terminal versions
- UL approval

Mini Buccaneer®

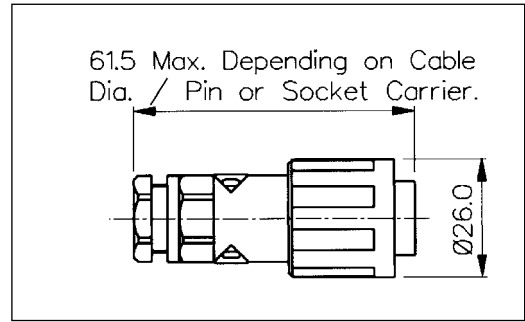
BUCCANEER

FLEX CABLE CONNECTOR



PX0800 - shown with insert

- PX0800 Connector body
- Mates with Flex In-line or Panel Mounting versions
- Screw locking ring
- Suitable for Pin or Socket inserts
- Cable Acceptance 3.5-9mm (Standard 5-7mm)
- Contact inserts supplied separately

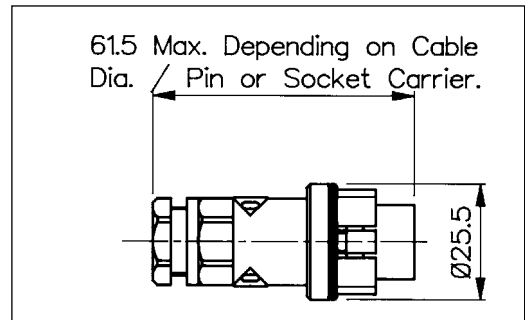


IN-LINE FLEX CABLE CONNECTOR



PX0801 - shown with insert

- PX0801 Connector body
- Mates with PX0800 - Flex Cable connector
- Suitable for Pin or Socket inserts
- Cable Acceptance 3.5-9mm (Standard 5-7mm)
- Contact inserts supplied separately

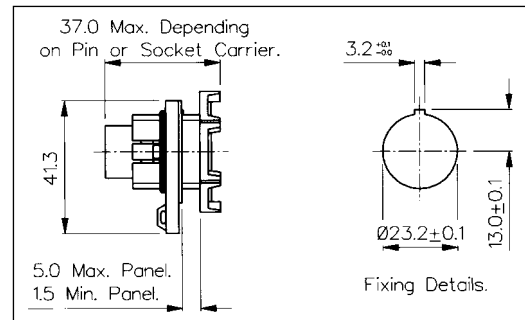


PANEL MOUNTING



PX0802 - shown with insert

- PX0802 Connector body
- Mates with PX0800 - Flex Cable connector
- Single hole fixing
- Suitable for Pin or Socket inserts
- Contact inserts supplied separately

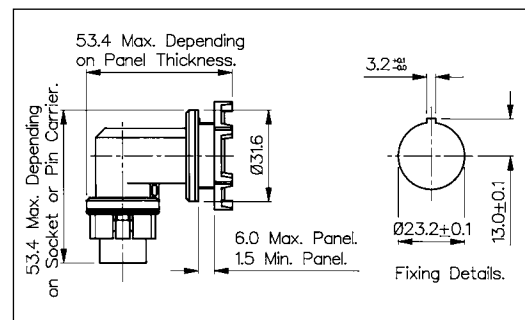


PANEL MOUNTING



PX0803 - shown with insert

- PX0803 Connector body
- Mates with PX0800 - Flex Cable connector
- Right angle cable entry
- Single hole fixing
- Suitable for Pin or Socket inserts
- Contact inserts supplied separately

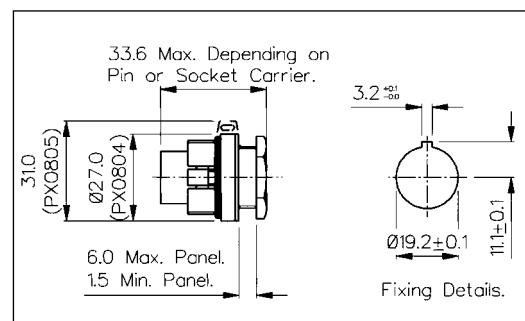


PANEL MOUNTING



PX0805 - shown with insert

- PX0804 and PX0805 Connector bodies
- Mates with PX0800 - Flex Cable connector
- PX0804 without sealing cap retaining clip, PX0805 with sealing cap retaining clip
- Single hole fixing
- Suitable for Pin or Socket inserts
- Contact inserts supplied separately



Mini Buccaneer®

SCREW TERMINAL INSERTS



- 2, 3, 4 and 6 Poles
- Fits all Body Styles - see page 36
- Leading Earth Pin on 3, 4 and 6 pole inserts
- Nickel Plated contacts

Screw Terminal Inserts - fit all body styles

| No. Poles | Socket | Pin |
|-----------|--------|--------|
| 2 | SA3319 | SA3320 |
| 3 | SA3229 | SA3230 |
| 4 | SA3242 | SA3241 |
| 6 | SA3244 | SA3243 |

CONTACT CARRIER INSERTS



Inserts shown with contacts fitted

- For Solder or Crimp Contacts
- 3 or 8 Pin
- Fits all Body Styles - see page 36
- Contacts Supplied Separately

Solder & Crimp Contact Carrier Inserts - fit all body styles.

| No. Poles | Solder | Colour | Crimp | Colour |
|-----------|-----------|--------|---------|--------|
| 8 pin | 12734/1 | Black | 12734 | Grey |
| 8 socket | 12735/1 | Black | 12735 | Grey |
| 3 pin | 12734/3/1 | Black | 12734/3 | Grey |
| 3 socket | 12735/3/1 | Black | 12735/3 | Grey |

CONTACTS, POLARISING/BLANKING PINS



- Gold Plated contacts
- Solder or Crimp
- Polarising/Blanking pins

Contacts - Solder & Crimp - for contact carrier inserts

| Contacts (Supplied in packs of 10) | Solder | Crimp |
|--|----------|--------|
| Pins | SA3148/1 | SA3148 |
| Sockets | SA3149/1 | SA3149 |
| Polarising/Blanking Pins | SA3147 | |
| Contact Insertion Tool: Must be used to load contacts into inserts. | SA3150 | |
| Crimping Tool | SA2800 | |

BNC INSERT KIT



Inserts Shown assembled

- BNC inserts for 50Ω and 75Ω co-ax cables
- Includes gland and washer to suit coax cable
- Fits all Body Styles (except PX0803) - see page 32

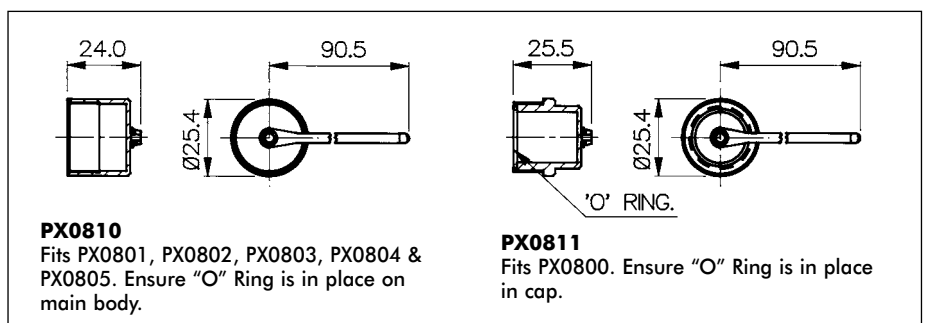
BNC Inserts - fit all body styles except PX0803

| Imp. | Cable Type | Contacts | Part No. |
|------|-----------------------|----------|----------|
| 50Ω | RG58/CU, URM43, URM76 | Plug | SA3159/1 |
| 50Ω | RG58/CU, URM43, URM76 | Socket | SA3157/1 |
| 75Ω | URM70 | Plug | SA3159 |
| 75Ω | URM70 | Socket | SA3157 |

SEALING CAPS




To maintain IP rating



Mini Buccaneer® Contact Inserts and Accessories

SPECIFICATION

| Electrical | Solder/Crimp Terminals | Screw Terminals | BNC |
|----------------------------------|---|---|---|
| No Poles: | 3, 8 | 2, 3 4 6 | |
| Current Rating: | 5A | 10A 6A 3A | |
| Voltage Rating: | 380V ac | 250V ac 250V ac 250V ac | |
| Contact Resistance: | <5mΩ | | |
| Insulation Resistance: | >10 ⁹ MΩ @ 500V d.c. | | |
| Voltage Proof: | 2kV @ 50Hz | | |
| Operating Temp. Range: | -20°C to +70°C | | |
| Approvals: |  | | |
| Materials | Solder/Crimp Terminals | Screw Terminals | BNC |
| Body Mouldings: | Polyamide UL94V-0 | Polyamide UL94V-0 | |
| Inserts: | Polyamide UL94V-0 | Polyamide UL94V-0 | |
| Contacts: | Copper Alloy, Gold Plated (0.1µm) on Nickel | Brass, Nickel Plated | Brass, Silver Plated. |
| O Rings: | Nitrile | | |
| RoHS | Compliant | Compliant | Compliant |
| Mechanical | Solder/Crimp Terminals | Screw Terminals | BNC |
| Sealing: | Protection Classification IP68, BS EN60529:1992. Tested @ 1.054kg/sq.in. (15lb/sq.in.) 10m depth for 2 weeks. | | |
| Cable Acceptance | 5-7mm dia - standard gland 3.5-9mm dia - alternative glands | | |
| Contact Accommodation: | 0.2 - 0.5mm ² (20 - 24 AWG) | 1mm ² max (18 AWG) | 50Ω: RG58/CU, URM43, URM76 75Ω: URM70 |
| Insertion Force (typical): | 3 way: 5N (1.1lbf) 8 way: 14N (3.1lbf) | 3 way: 45N (10lbf) 4 way: 50N (11lbf) 6 way: 140N (31lbf) | |
| Withdrawal Force (typical): | 3 way: 3N (0.66lbf) 8 way: 12N (2.6lbf) | 3 way: 32N (7lbf) 4 way: 40N (9lbf) 6 way: 150N (34lbf) | |
| Tightening Torques | | | |
| Gland Nut, PX0800, 801: | 1.13Nm (10lbf in) | | |
| Rear Nut, PX0802, 803, 804, 805: | 0.7Nm min, 1.7Nm max (6.2lbf in min, 15lbf in max) | | |
| Sealing Cap, PX0810, 811: | 0.23Nm min, 1.13Nm max (2lbf in min, 10lbf in max) | | |

HOW TO ORDER

- Choose body type, check cable diameter and sealing gland size.
- Determine contact carrier inserts. Choose number of poles, and type of contacts (solder, crimp, screw terminal or BNC).
- Choose pins or sockets. Solder and crimp contacts are supplied separately in packs of ten.
- Choose polarising/blanking pins. If required for solder/crimp contact inserts. Supplied in packs of ten.
- Is an insertion tool required (for solder or crimp contacts)?
- Is a crimp tool required?
- Is a sealing cap required?

CABLE ACCEPTANCE

Cable gland for 5-7mm fitted as standard.
BNC Insert Kit includes gland & washer to fit coax cable.

| Cable Diameter | Gland Part No. | Gland Colour | Additional Suffix |
|----------------|----------------|--|--------------------|
| 5-7mm | 12023/1 | White | Fitted as standard |
| 3.5-5mm | SA3426 | Grey | Suffix /04† |
| 6-8mm | 12023 | Black | Suffix /06 |
| 7-9mm | 12023/2 | Yellow | Suffix /07 |
| Gland Pack | PX0812 | Pack of 3 glands to suit cables 3.5-5mm, 6-8mm, 7-9mm dia† | |

To order body with alternative cable gland add suffix to part no. e.g. PX0800/06 = PX0800 body with cable gland to suit 6-8mm dia. cable.
†Includes additional black gland cage for 3.5-5mm dia. cable range.