

## Features:

- High luminosity LEDs
- 5mm Round standard directivity
- Long lifetime operation
- Superior weather-resistance
- Water clear type

## Applications

- Backlighting (switches, keys, displays, illuminated advertising etc.)
- Substitution of micro incandescent lamps
- Reading lamps/emergency lighting
- Market lights (e.g. steps, exit ways, etc.)
- Other lighting

## Absolute maximum rating (Ta=25°C)

Item	Symbol	Value	Unit
DC Forward current	$I_F$	30	mA
Pulse forward current*	$I_{FP}$	100	mA
Reverse voltage	$V_R$	5	V
Power dissipation	$P_D$	108	mW
Operating temperature	$T_{opr}$	-30 to +85	°C
Storage temperature	$T_{stg}$	-40 to +100	°C
Lead soldering temperature	$T_{sol}$	260°C/5 sec	-

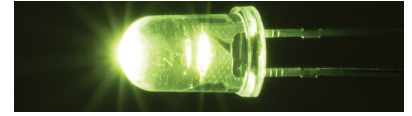
\* Pulse width max. 10ms. Duty ratio max. 1/10

## Electrical - Optical characteristics (Ta=25°C)

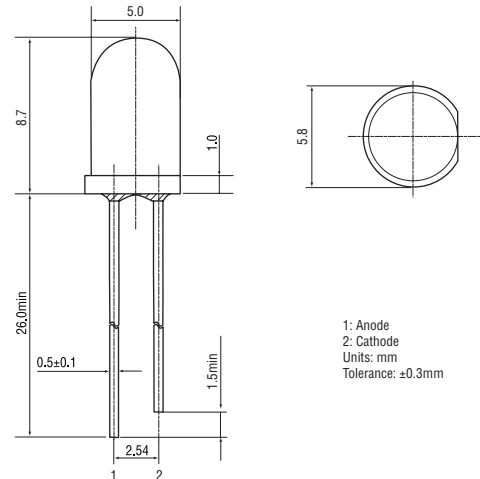
Item	Symbol	Condition	Min.	Typ.	Max.	Unit
DC Forward voltage	$V_F$	$I_F=20mA$	2.9	3.1	3.6	V
DC Reverse current	$I_R$	$V_R=5V$	-	-	10	$\mu A$
Luminous intensity†	$I_V$	$I_F=20mA$	20000	22000	-	mcd
Luminous flux†	$\Phi_V$	$I_F=20mA$	6.5	7.0	-	lm
Chromaticity coordinates*	x	$I_F=20mA$	-	0.35	-	
	y	$I_F=20mA$	-	0.50	-	
50% Power angle	$2\theta_{1/2}$	$I_F=20mA$	-	15	-	deg

\* Tolerance of dominant wavelength is  $\pm 10\%$

† Tolerance of luminous intensity is  $\pm 15\%$



## Outline dimensions:



## Directivity:

