

**Model Number**

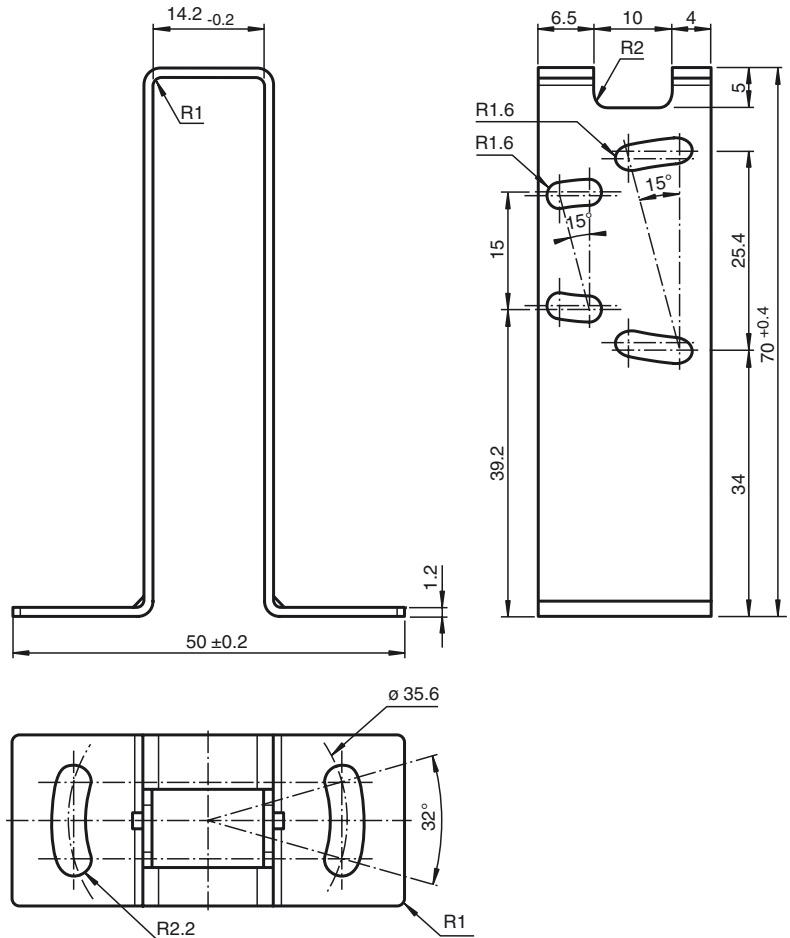
**OMH-R10X-02**

Mounting bracket

**Features**

- Mounting bracket
- Simple and fast mounting

**Dimensions**



**Technical data**

**Mechanical specifications**

Material	Stainless steel
Mass	approx. 32 g

**Suitable series**

Series	R100 R101
--------	--------------

Release date: 2016-01-28 11:56 Date of issue: 2016-02-02 279882\_eng.xml

Refer to "General Notes Relating to Pepperl+Fuchs Product Information".

Pepperl+Fuchs Group  
www.pepperl-fuchs.com

USA: +1 330 486 0001  
fa-info@us.pepperl-fuchs.com

Germany: +49 621 776 4411  
fa-info@de.pepperl-fuchs.com

Singapore: +65 6779 9091  
fa-info@sg.pepperl-fuchs.com