



CIRCUIT BREAKER 3VA2 IEC FRAME 100 BREAKING CAPACITY CLASS M ICU=55KA @ 415 V 3POLE, LINE PROTECTION ETU850, LSI, IN=100A OVERLOAD PROTECTION IR=40A ...100A SHORT CIRCUIT PROTECTION ISD=0,6..10X IN, II=1,5..12X IN NEUTRAL PROTECTION OPTIONAL WITH EXT. CT,UPTO 160% BUSBAR CONNECTION

| Model | | |
|--|---|-----------------------------|
| product brand name | | SENTRON |
| Product designation | | Molded case circuit breaker |
| Design of the product | | Line protection |
| Product variations | | Selective Applications |
| Ground fault monitoring version | | Without |
| Design of the auxiliary release | | without auxiliary release |
| Design of the auxiliary switch | | Without |
| Design of the operating mechanism | | toggle handle |
| Type of the driving mechanism / motor drive | | No |
| Design of the overcurrent release | | ETU850 |
| General technical data | | |
| Number of poles | | 3 |
| Trip class / of the L-trip / with I ² t characteristic / initial value | | 0.5 |
| Trip class / of the L-trip / with I ² t characteristic / Full-scale value | | 25 |
| Electrical endurance (switching cycles) | | 12 000 |
| • at AC-1 / at 380/415 V / at 50/60 Hz | | |
| circuit-breaker / Design | | 3VA |
| Mechanical service life (switching cycles) / typical | | 20 000 |
| Voltage | | |
| Insulation voltage / Rated value | V | 800 |
| Protection class | | |

| | | |
|---|--|------|
| Protection class IP | | IP40 |
| Protection class IP / on the front | | IP40 |
| Protective function of the overcurrent release | | LSI |

Switching capacity

| | | |
|--|--|---|
| Switching capacity class of the circuit breaker | | M |
|--|--|---|

Dissipation

| | | |
|---|---|------|
| Active power loss | | |
| <ul style="list-style-type: none"> • maximum | W | 13.5 |

Electricity

| | | |
|--|---|-----|
| Continuous current / Rated value / maximum | A | 100 |
| Continuous current / Rated value | A | 100 |
| Adjustable response value current / of the instantaneous short-circuit release / initial value | A | 1.5 |

Main circuit

| | | |
|--|---|-----|
| Operating voltage | | |
| <ul style="list-style-type: none"> • with AC / at 50/60 Hz / Rated value | V | 690 |
| Operating current | | |
| <ul style="list-style-type: none"> • at 40 °C / Rated value • at 50 °C / Rated value • at 60 °C / Rated value • at 65 °C / Rated value • at 70 °C / Rated value | A | 100 |
| | A | 100 |
| | A | 100 |
| | A | 100 |
| | A | 100 |

Auxiliary circuit

| | | |
|---|--|---|
| Number of NC contacts / for auxiliary contacts | | 0 |
| Number of NO contacts / for auxiliary contacts | | 0 |

Suitability

| | | |
|----------------------------|--|-------------------|
| Suitability for use | | system protection |
|----------------------------|--|-------------------|

Adjustable parameters

| | | |
|--|---|------|
| Adjustable response value current | | |
| <ul style="list-style-type: none"> • of I-trip / Full-scale value • of the short-time delayed short-circuit release / initial value • of the short-time delayed short-circuit release / Full-scale value • of S-trip / with standard characteristic / initial value • of S-trip / with standard characteristic / Full-scale value | A | 12 |
| | A | 0.6 |
| | A | 10 |
| | A | 0.6 |
| | A | 10 |
| Adjustable delay time | | |
| <ul style="list-style-type: none"> • of S-trip / with I2t characteristic / initial value | s | 0.05 |

| | | |
|--|---|------|
| • of S-trip / with I2t characteristic / Full-scale value | s | 0.5 |
| • of S-trip / with standard characteristic / initial value | s | 0.05 |
| • of S-trip / with standard characteristic / Full-scale value | s | 0.5 |
| Adjustable response value current / of the current-dependent overload release / initial value | A | 0.4 |

Product details

| | | |
|--|--|-----|
| Product component | | |
| • Trip indicator | | No |
| • display | | Yes |
| • undervoltage release | | No |
| Product property | | |
| • for neutral conductors / upgradeable/retrofitable / Short-circuit and overload proof | | Yes |
| Product expansion / optional / motor drive | | Yes |

Product function

| | | |
|-------------------------------|--|-----|
| Product function | | |
| • Intrinsic device protection | | Yes |
| • communication function | | Yes |
| • Phase failure detection | | No |
| • other measurement function | | Yes |

Accessories

| | | |
|---|--|------------------------------------|
| Manufacturer article number / of the supplied basic switch | | 3VA2010-5KP32-0AA0 |
|---|--|------------------------------------|

Short circuit

| | | |
|--|----|----|
| Operational short-circuit current breaking capacity (Ics) | | |
| • at 240 V / Rated value | kA | 85 |
| • at 415 V / Rated value | kA | 55 |
| • at 440 V / Rated value | kA | 55 |
| • at 500 V / Rated value | kA | 36 |
| • at 690 V / Rated value | kA | 2 |
| Maximum short-circuit current breaking capacity (Icu) | | |
| • at 240 V / Rated value | kA | 85 |
| • at 415 V / Rated value | kA | 55 |
| • at 440 V / Rated value | kA | 55 |
| • at 500 V / Rated value | kA | 36 |
| • at 690 V / Rated value | kA | 2 |
| Short-circuit current making capacity (Icm) | | |

- at 240 V / Rated value
- at 415 V / Rated value
- at 440 V / Rated value
- at 500 V / Rated value
- at 690 V / Rated value

| | |
|----|-----|
| kA | 187 |
| kA | 121 |
| kA | 121 |
| kA | 79 |
| kA | 3 |

Connections

| | | |
|--|--|----------------|
| Arrangement of electrical connectors / for main current circuit | | Front terminal |
| Type of connectable conductor cross-section | | 13 x 1 mm |
| <ul style="list-style-type: none"> • for flat-bar terminal connection / minimum • for flat-bar terminal connection / maximum | | 25 x 8.5 |
| Type of electrical connection / for main current circuit | | Lug terminal |

Mechanical Design

| | | |
|---------------|----|----------------|
| Height | mm | 181 |
| Width | mm | 105 |
| Depth | mm | 107 |
| Mounting type | | fixed mounting |

Environmental conditions

| | | |
|--|----|-----|
| Ambient temperature | | |
| <ul style="list-style-type: none"> • during operation / minimum • during operation / maximum • during storage / minimum • during storage / maximum | °C | -25 |
| | °C | 70 |
| | °C | -40 |
| | °C | 80 |

Certificates

| | | |
|--|--|---|
| Equipment marking | | |
| <ul style="list-style-type: none"> • acc. to DIN EN 61346-2 • acc. to DIN EN 81346-2 | | Q |
| | | Q |

| | | | |
|---------------------------------|------------|----------------------------------|--------------------------|
| General Product Approval | EMC | Declaration of Conformity | Shipping Approval |
|---------------------------------|------------|----------------------------------|--------------------------|



[other](#)



| | |
|--------------------------|--------------|
| Shipping Approval | other |
|--------------------------|--------------|

[other](#)



GL

Further information

Information- and Downloadcenter (Catalogs, Brochures,...)

<http://www.siemens.com/lowvoltage/catalogs>

Industry Mall (Online ordering system)

<https://eb.automation.siemens.com/mall/en/WW/Catalog/Product/3VA20105KP320AA0>

Service&Support (Manuals, Certificates, Characteristics, FAQs,...)

<http://support.automation.siemens.com/WW/view/en/3VA20105KP320AA0/all>

Image database (product images, 2D dimension drawings, 3D models, device circuit diagrams, ...)

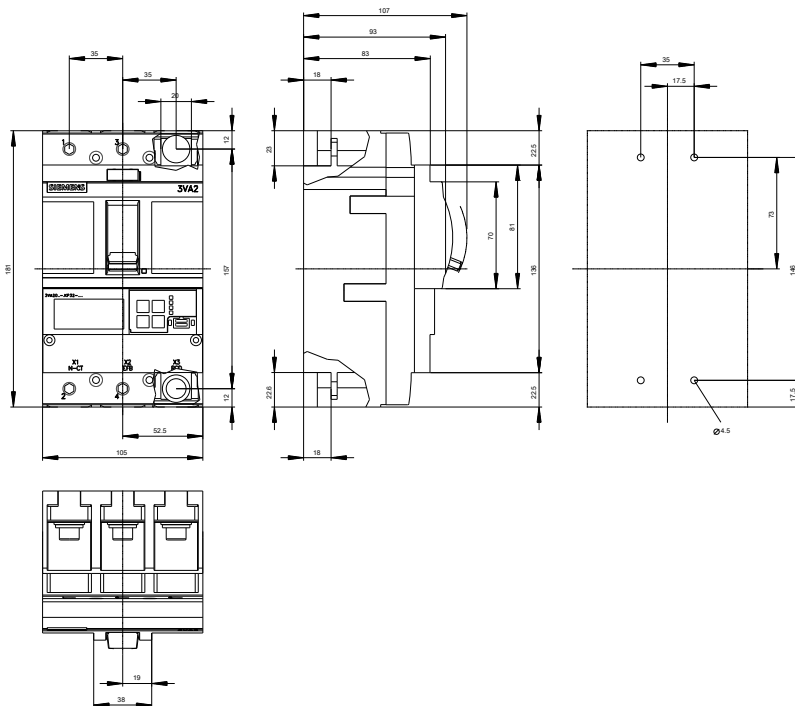
http://www.automation.siemens.com/bilddb/cax_en.aspx?mfb=3VA20105KP320AA0

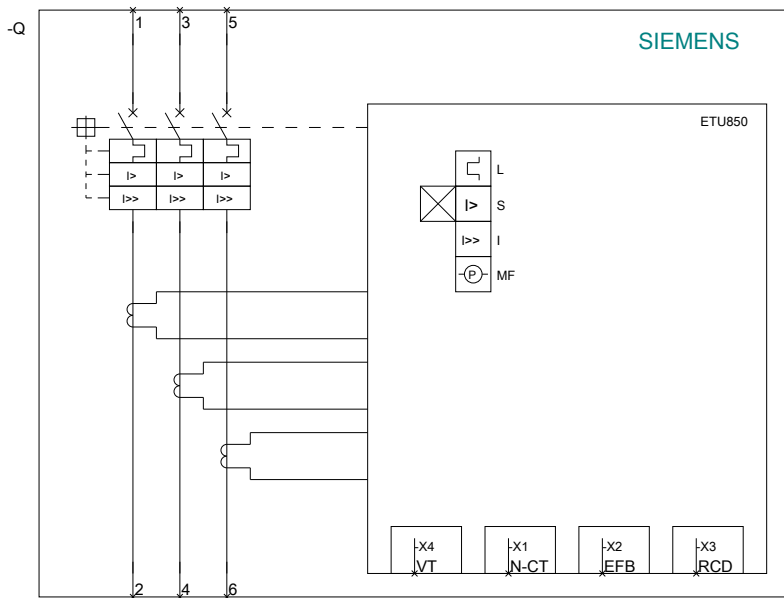
CAX-Online-Generator

<http://www.siemens.com/cax>

Tender specifications

<http://ausschreibungstexte.siemens.com/tiplv>





last modified:

11.03.2015