



Relays, Contactors & Switches > Switches > Pushbutton Switches



Configuration (Pole-Throw): **Single Pole - Double Throw**

Product Type: **Switch**

Number of Actuators: **Single**

Actuator Profile: **Extended**

Illuminated: **No**

## Features

### Product Type Features

Switch Type	Pushbutton
Dust Proof	No
Product Type	Switch
Illuminated	No
Actuator Style	Round

### Configuration Features

ESD Grounding Terminal	Without
Ganged	No
Configuration (Pole-Throw)	Single Pole - Double Throw
Number of Actuators	Single
Snap Action	Without
Support Bracket	Without
Tactile	Yes
Operating Function	On (On)

### Electrical Characteristics

Voltage Rating	20 VDC
----------------	--------

### Body Features

Seal Type	Terminal Seal (Epoxy)
Actuator Force	50 – 400 g[1.77 – 14.12 oz]

Case Material	Thermoplastic (LCP)
Actuator Material	Thermoplastic
Actuator Profile	Extended
Actuator Color	Black

### Contact Features

Contact Base Material	Copper Alloy
Switch Contact Plating Material	Gold

### Termination Features

Termination Type	Printed Circuit
------------------	-----------------

### Mechanical Attachment

Mounting Angle	Vertical Right Angle
Mounting Type	Through Hole

### Housing Features

Low Profile	No
Process Sealed	No

### Dimensions

Actuator Length	4.5 mm[.117 in]
Button Width	2.54 mm[.1 in]

### Usage Conditions

Temperature Rating	Standard
--------------------	----------

### Packaging Features

Packaging Method	Bulk
------------------	------

## Product Compliance

[For compliance documentation, visit the product page on TE.com>](#)

EU RoHS Directive 2011/65/EU	Compliant
EU ELV Directive 2000/53/EC	Not Yet Reviewed
China RoHS 2 Directive MIIT Order No 32, 2016	No Restricted Materials Above Threshold
EU REACH Regulation (EC) No. 1907/2006	欧洲化学品管理局最新发布的SvHCs候选清单: 2019年7月 (201) SvHCs候选清单的声明更新至: 2018年6月 (191) 不含REACH SVHC

<p>EU REACH Regulation (EC) No. 1907/2006</p>	<p>欧洲化学品管理局最新发布的SvHCs候选清单: 2019年7月 (201) SvHCs候选清单的声明更新至: 2018年6月 (191)</p>
<p>Halogen Content</p>	<p>Low Halogen - Br, Cl, F, I &lt; 900 ppm per homogenous material. Also BFR/CFR/PVC Free</p>
<p>Solder Process Capability</p>	<p>Wave solder capable to 265°C</p>

Product Compliance Disclaimer

This information is provided based on reasonable inquiry of our suppliers and represents our current actual knowledge based on the information they provided. This information is subject to change. The part numbers that TE has identified as EU RoHS compliant have a maximum concentration of 0.1% by weight in homogenous materials for lead, hexavalent chromium, mercury, PBB, PBDE, DBP, BBP, DEHP, DIBP, and 0.01% for cadmium, or qualify for an exemption to these limits as defined in the Annexes of Directive 2011/65/EU (RoHS2). Finished electrical and electronic equipment products will be CE marked as required by Directive 2011/65/EU. Components may not be CE marked. Additionally, the part numbers that TE has identified as EU ELV compliant have a maximum concentration of 0.1% by weight in homogenous materials for lead, hexavalent chromium, and mercury, and 0.01% for cadmium, or qualify for an exemption to these limits as defined in the Annexes of Directive 2000/53/EC (ELV). Regarding the REACH Regulations, TE's information on SVHC in articles for this part number is still based on the European Chemical Agency (ECHA) 'Guidance on requirements for substances in articles' (Version: 2, April 2011), applying the 0.1% weight on weight concentration threshold at the finished product level. TE is aware of the European Court of Justice ruling of September 10th, 2015 also known as O5A (Once An Article Always An Article) stating that, in case of 'complex object', the threshold for a SVHC must be applied to both the product as a whole and simultaneously to each of the articles forming part of its composition. TE has evaluated this ruling based on the new ECHA "Guidance on requirements for substances in articles" (June 2017, version 4.0) and will be updating its statements accordingly.

### Compatible Parts



TE Model / Part # 1825095-1  
[TP11CGPC004](#)



TE Model / Part # 1825095-2  
[TP11CGPC204](#)



TE Model / Part # 1825095-3  
[TP11CGRA004](#)



TE Model / Part # 1437571-4  
[TP11CGPC0=SWITCH P/B N/O BLACK](#)



TE Model / Part # 7-1437571-7  
[TPB11FGVRA0=TINY PUSHBUTTON](#)

Also in the Series | [Alcoswitch TPB](#)



Pushbutton Switches(19)

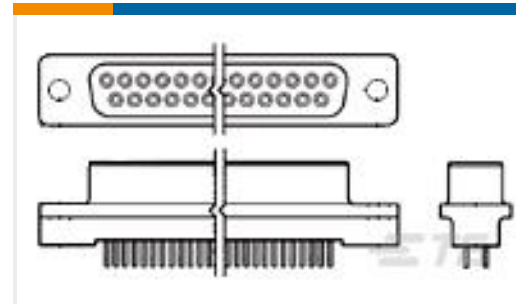
## Customers Also Bought



TE Model / Part #350990-4  
09P UMNL HDR ASSY LNG  
/TL



TE Model / Part #207532-8  
SKT HDR ASSY,24 POSN,  
METRIMATE



TE Model / Part #745080-6  
50 RCPT SP/AP SCRLK



TE Model / Part #350988-4  
04P UMNL HDR ASSY LNG  
/TL



TE Model / Part #1-  
1761685-6  
IDC LOW PRO HDR 60P  
VERT SHT LAT



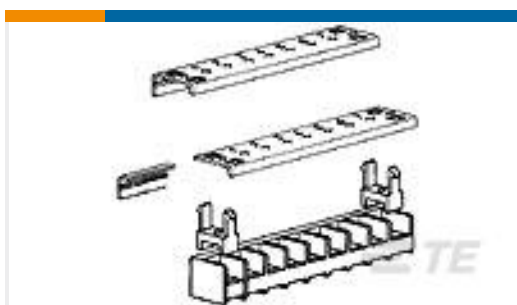
TE Model / Part #350987-4  
03P UMNL HDR ASSY LNG  
/TL



TE Model / Part #1-  
1761685-3  
IDC LOW PRO HDR 40P  
VERT SHT LAT



TE Model / Part #146128-1  
03 MODII HDR SR SFMNT  
B/A .100



TE Model / Part #1-  
1437418-3  
6C1F26=SSB 3/8 SAFE  
CVR 26 CKT



TE Model / Part #1-  
1437564-7  
TST11DGVRA1D=TINY  
SEALED TOGGL

## Documents

### Product Drawings

[TPB11FGVRA004](#)

English

### CAD Files

Customer View Model

[ENG\\_CVM\\_CVM\\_1-1825097-6\\_A.3d\\_stp.zip](#)

English

[3D PDF](#)



3D

Customer View Model

[ENG\\_CVM\\_CVM\\_1-1825097-6\\_A.2d\\_dxf.zip](#)

English

Customer View Model

[ENG\\_CVM\\_CVM\\_1-1825097-6\\_A.3d\\_igs.zip](#)

English

---

**Datasheets & Catalog Pages**

[SWITCHES\\_CORE\\_PROGRAM\\_CATALOG](#)

English