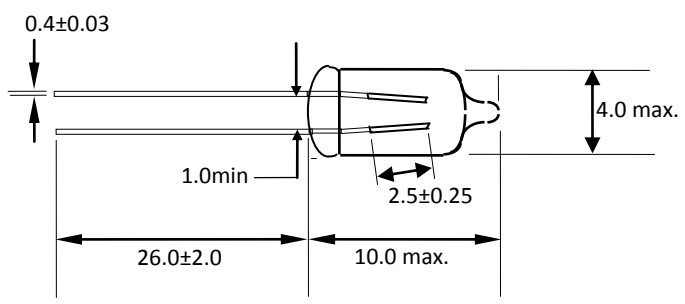


Part Number: 1MH

Type	Size	Rating	Description
Neon	T4	AC	High Brightness Wire-ended Neon Lamp



Dimensions in millimetres

Notes:

- 1 **Brightness** High
- 2 **Lead Type** Tin plated
- 3 **Current** 1.0mA nominal
- 4 **Strike Voltage** 95VAC maximum
- 5 **Life** 50,000 hrs. nominal
- 6 **Operating temperature** -50°C - +160°C
- 7 **Environmental** RoHS & REACH SVHC compliant