



Alcoswitch

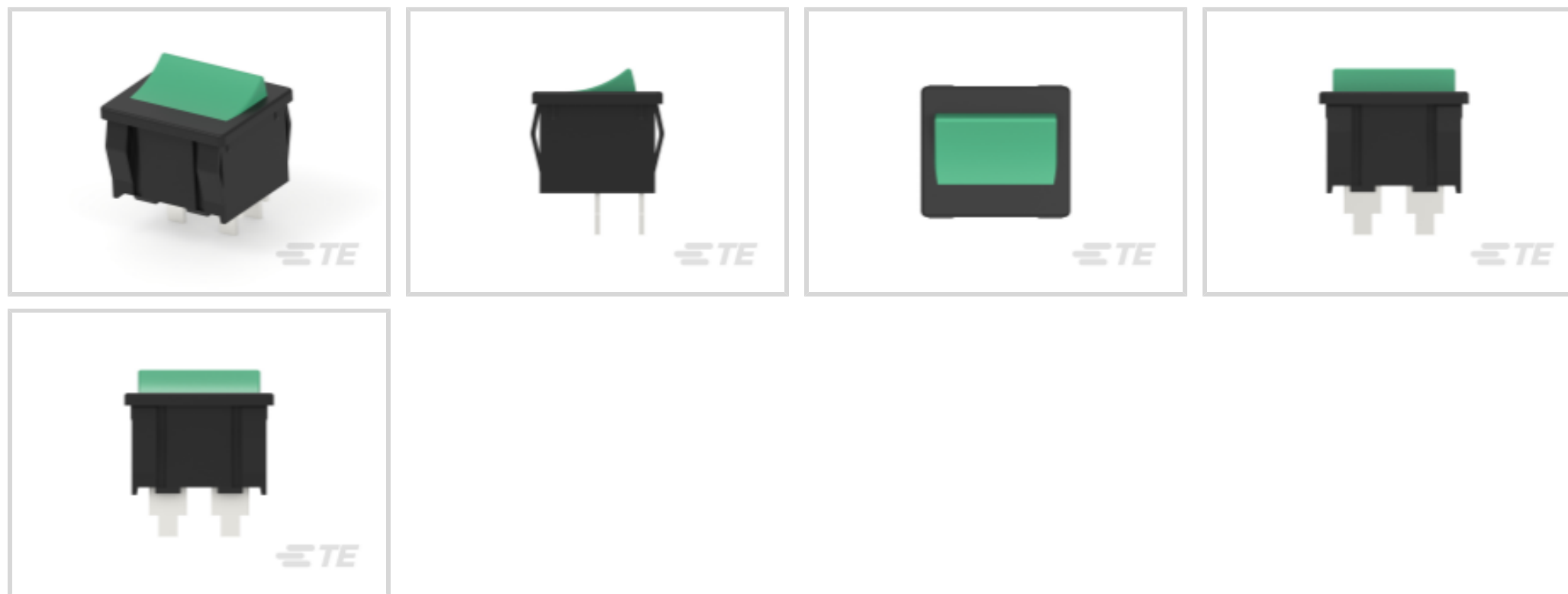
TE Internal #: 1634200-9

Rocker Switches, Power, Panel Rocker Switch Mounting Type, None

Indicator/Imprint Legend

[View on TE.com >](#)

Relays, Contactors & Switches > Switches > Rocker Switches



Rocker Switch Type: **Power**

Rocker Switch Mounting Type: **Panel**

Indicator/Imprint Legend: **None**

Panel Cutout Size: **19.4 x 22.2 mm, 19.6 x 22.2 mm, 20.2 x 22.2 mm [ .763 x .874 in, .771 x .874 in, .795 x .874 in ]**

Switch Contact Plating Material: **Silver Tin Oxide**

**Features**

**Product Type Features**

Product Type	Switch
Rocker Switch Type	Power
Lamp	With
Rocker Switch LED	Without
Actuator Type	Top
Actuator Style	Rocker

**Configuration Features**

Indicator/Imprint Legend	None
Panel Cutout Size	19.4 x 22.2 mm, 19.6 x 22.2 mm, 20.2 x 22.2 mm [.763 x .874 in][.771 x .874 in][.795 x .874 in]
Configuration (Pole-Throw)	Double Pole - Single Throw
Operating Function	On Off

**Electrical Characteristics**

Rocker Switch Voltage Rating	125 VAC, 250 VAC
------------------------------	------------------



### Body Features

Beveled Frame Color	Black
Body Color	Black
Actuator Color	Green

### Contact Features

Terminal Tab Width	4.75 mm[.187 in]
Switch Contact Plating Material	Silver Tin Oxide
Rocker Switch Contact Current Rating	6 A, 10 A

### Termination Features

Termination Type	Quick Connect
------------------	---------------

### Mechanical Attachment

Mounting Angle	Vertical
Rocker Switch Mounting Type	Panel

### Housing Features

Process Sealed	No
----------------	----

### Industry Standards

VDE Tested	Yes
------------	-----

### Other

Comment	Dust Resistant., Lamp-Illuminated Rocker Button.
---------	--

### Product Compliance

[For compliance documentation, visit the product page on TE.com>](#)

EU RoHS Directive 2011/65/EU	Compliant
EU ELV Directive 2000/53/EC	Compliant
China RoHS 2 Directive MIIT Order No 32, 2016	No Restricted Materials Above Threshold
EU REACH Regulation (EC) No. 1907/2006	Current ECHA Candidate List: JAN 2021 (211) Candidate List Declared Against: JUN 2020 (209) SVHC > Threshold: Not Yet Reviewed
Halogen Content	Low Halogen - Br, Cl, F, I < 900 ppm per homogenous material. Also BFR/CFR/PVC Free



Solder Process Capability

Not applicable for solder process capability

Product Compliance Disclaimer

This information is provided based on reasonable inquiry of our suppliers and represents our current actual knowledge based on the information they provided. This information is subject to change. The part numbers that TE has identified as EU RoHS compliant have a maximum concentration of 0.1% by weight in homogenous materials for lead, hexavalent chromium, mercury, PBB, PBDE, DBP, BBP, DEHP, DIBP, and 0.01% for cadmium, or qualify for an exemption to these limits as defined in the Annexes of Directive 2011/65/EU (RoHS2). Finished electrical and electronic equipment products will be CE marked as required by Directive 2011/65/EU. Components may not be CE marked. Additionally, the part numbers that TE has identified as EU ELV compliant have a maximum concentration of 0.1% by weight in homogenous materials for lead, hexavalent chromium, and mercury, and 0.01% for cadmium, or qualify for an exemption to these limits as defined in the Annexes of Directive 2000/53/EC (ELV). Regarding the REACH Regulation, the information TE provides on SVHC in articles for this part number is based on the latest European Chemicals Agency (ECHA) 'Guidance on requirements for substances in articles' posted at this URL: <https://echa.europa.eu/guidance-documents/guidance-on-reach>

Compatible Parts



TE Part # 1-1634200-7  
PREDD3-07F-BB0FW

TE Part # 1-1634200-2  
PREDD1-07F-BB0DW

TE Part # 1-1634200-3  
PREDD1-07F-BB0EW

TE Part # 2-1634200-5  
PREDD5-07F-BB0FW

TE Part # 2-1634200-6  
PREDD5-07F-BB0GW

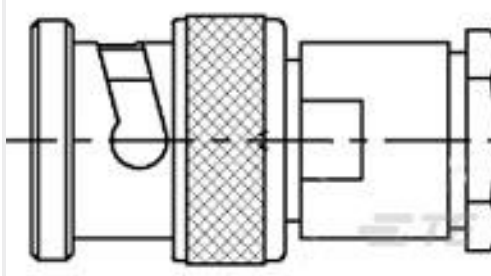
Customers Also Bought




TE Part #163082-2  
TYPE III CONTACTS LP EMEA



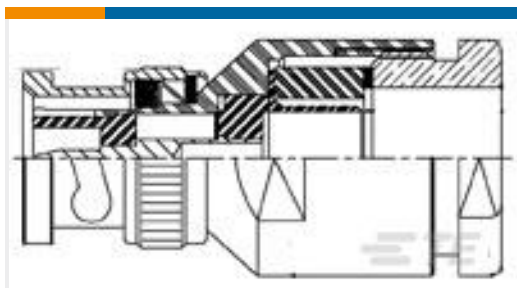
TE Part #1-160304-2  
250 FASTON,REC.,14-17AWG,TPBR



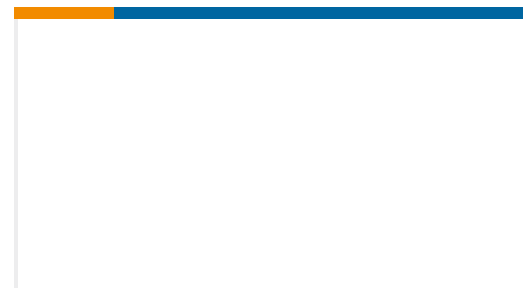
TE Part #1-1337420-0  
BNC Str Plg MC 50Ohm Nickel Pltd  
RG58C/U



TE Part #GAG10K3976B1  
RSEN-GLASS BEAD



TE Part #1-1478405-0  
BNC Str Plg PS 75Ohm Silver URM202



TE Part #1634200-1  
PREDA1-07F-BB000

## Documents

### Product Drawings

[PREDB1-07F-BG000](#)

English

### CAD Files

Customer View Model

[ENG\\_CVM\\_CVM\\_1634200-9\\_E.2d\\_dxf.zip](#)

English

[3D PDF](#)

3D

Customer View Model

[ENG\\_CVM\\_CVM\\_1634200-9\\_E.3d\\_igs.zip](#)

English

Customer View Model

[ENG\\_CVM\\_CVM\\_1634200-9\\_E.3d\\_stp.zip](#)

English

By downloading the CAD file I accept and agree to the [Terms and Conditions](#) of use.

### Datasheets & Catalog Pages

[SWITCHES\\_CORE\\_PROGRAM\\_CATALOG](#)

English