

Rubber Metal Buffers • waisted

25151.0053



Product Description

To be used for elastic bearing of motors, compressors, pumps etc.
The waisted shape of these buffers means that the lateral forces are better damped compared to cylindrical rubber-metal buffers.
The hardness is $55 \pm 5^\circ$ shore A. Further shore hardnesses ($40 \pm 5^\circ$ shore A and $70 \pm 5^\circ$ shore A) on request.

Material

Support washer

- Steel, zinc-plated by galvanization, passivated

Threaded bushing

- Steel, zinc-plated by galvanization, passivated

Body

- Rubber natural caoutchouc (NR), black

Screw

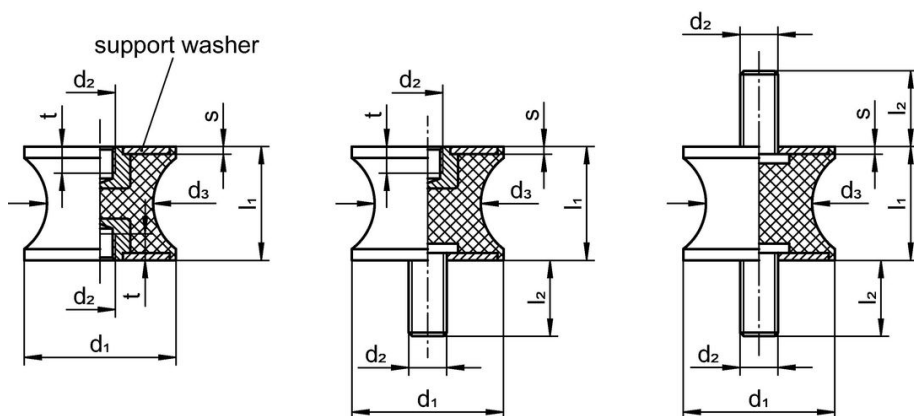
- Steel, zinc-plated by galvanization, passivated

More information

Notes

Under compressive load, the dimension d_3 does not exceed the diameter d_1 .

Drawing



picture 1

picture 2

picture 3

Order information

| Dimensions | | | | | | Spring rate R | Load capacity max. | Spring range | Temperature | | Weight | Art. No. |
|---|-------|-------|-------|---|----|---------------|--------------------|--------------|-------------|------|--------|------------|
| d_1 | l_1 | d_2 | d_3 | s | t | | | | min. | max. | | |
| [mm] | | | | | | [N/mm] | [N] | [mm] | [°C] | | | |
| with female thread, on both sides – picture 1 | | | | | | | | | | | | |
| 50 | 30 | M10 | 42 | 2 | 10 | 200 | 1499 | 7.5 | -30 | 80 | 108 | 25151.0053 |

Compliance

RoHS-compliant

Compliant with Directive 2011/65/EU [RoHS].

Does not contain SVHC substances

No SVHC substances with more than 0.1% w/w contained - SVHC list [REACH] as of 25.06.2025.

SCIP-code

N/A

Does not contain Proposition 65 substances

No Proposition 65 substances included.

<https://www.P65Warnings.ca.gov/>

Free from Conflict Minerals

This product does not contain any substances designated as "conflict minerals" such as tantalum, tin, gold or tungsten from the Democratic Republic of Congo or adjacent countries.

POP-compliant

Contains no persistent organic pollutants – Stockholm Convention [POP] as of September 2025.

PFAS-compliant

Contains no per- and polyfluoroalkyl substances (PFAS).

TSCA-compliant

Agent concentration in this product does not exceed the specified threshold.