

- | | |
|-------------------------------------|---------------------------------------|
| EN Installation Instructions | IT Istruzioni di montaggio |
| DE Montageanleitung | LT Montavimo Instrukcijos |
| CZ Montážní návod | LV Instalācijas instrukcija |
| DK Monteringsvejledning | NO Monteringsanvisning |
| EE Paigaldusjuhend | PL Instrukcja montażu |
| FI Asennusohje | SE Installationsanvisning |
| FR Notice de montage | RU Инструкция по монтажу |
| HU Szerelési útmutató | SRB Instrukcija za instalaciju |
| HR Uputstvo za montažu | SK Montážny návod |
| NL Montagehandleiding | SLO Navodilo za montažo |
| RO Instructiuni de montaj | CN 安装说明书 |

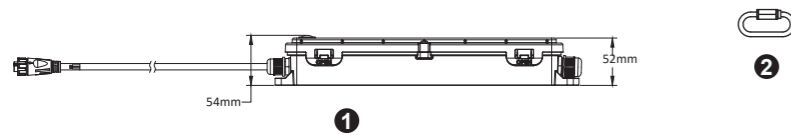
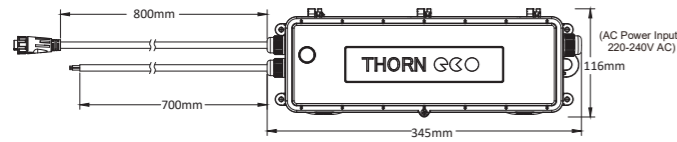


1. Installation and commissioning may only be carried out by authorized specialists and wired in accordance with the latest IEE electrical regulations or the national standards.

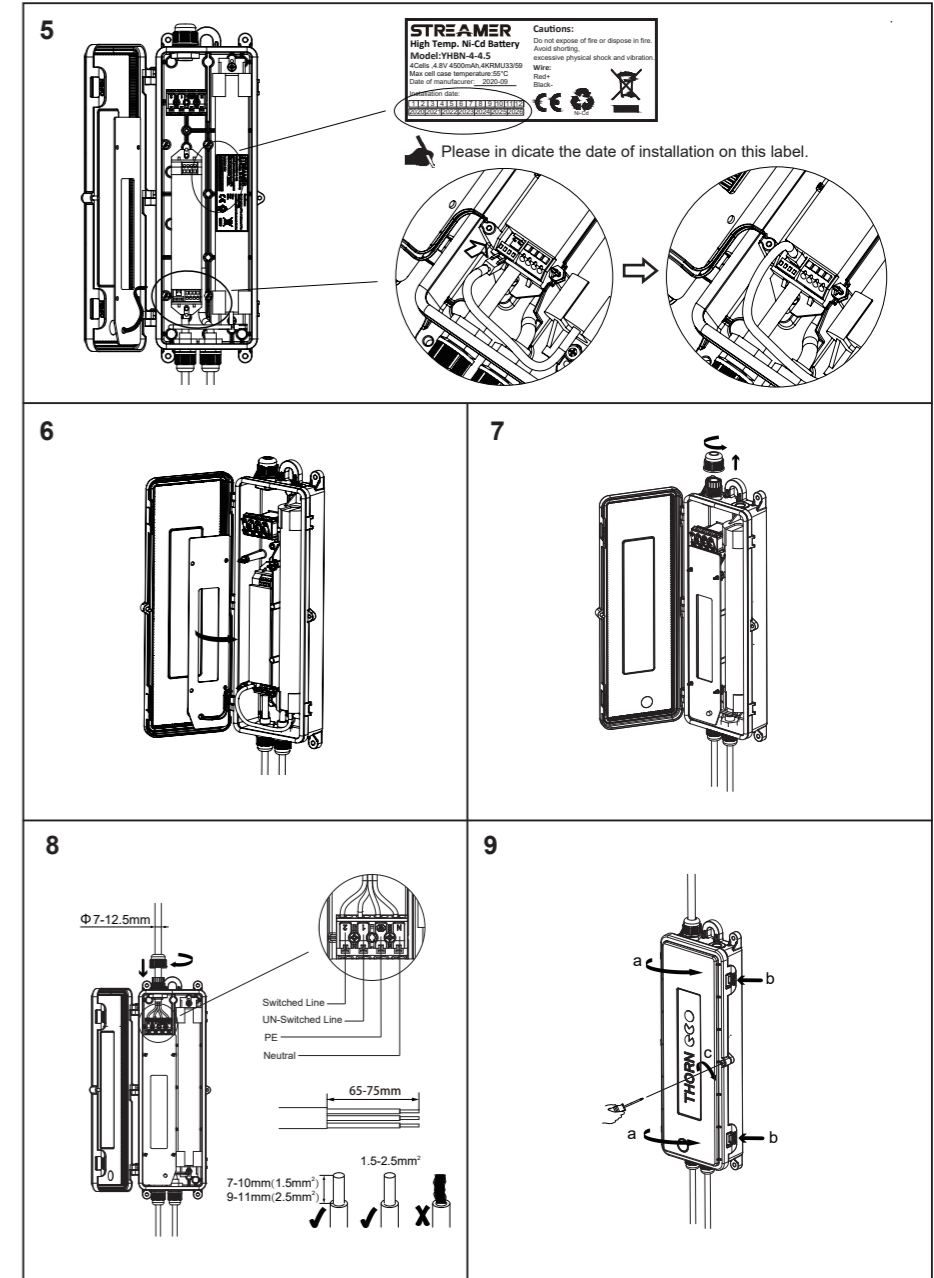
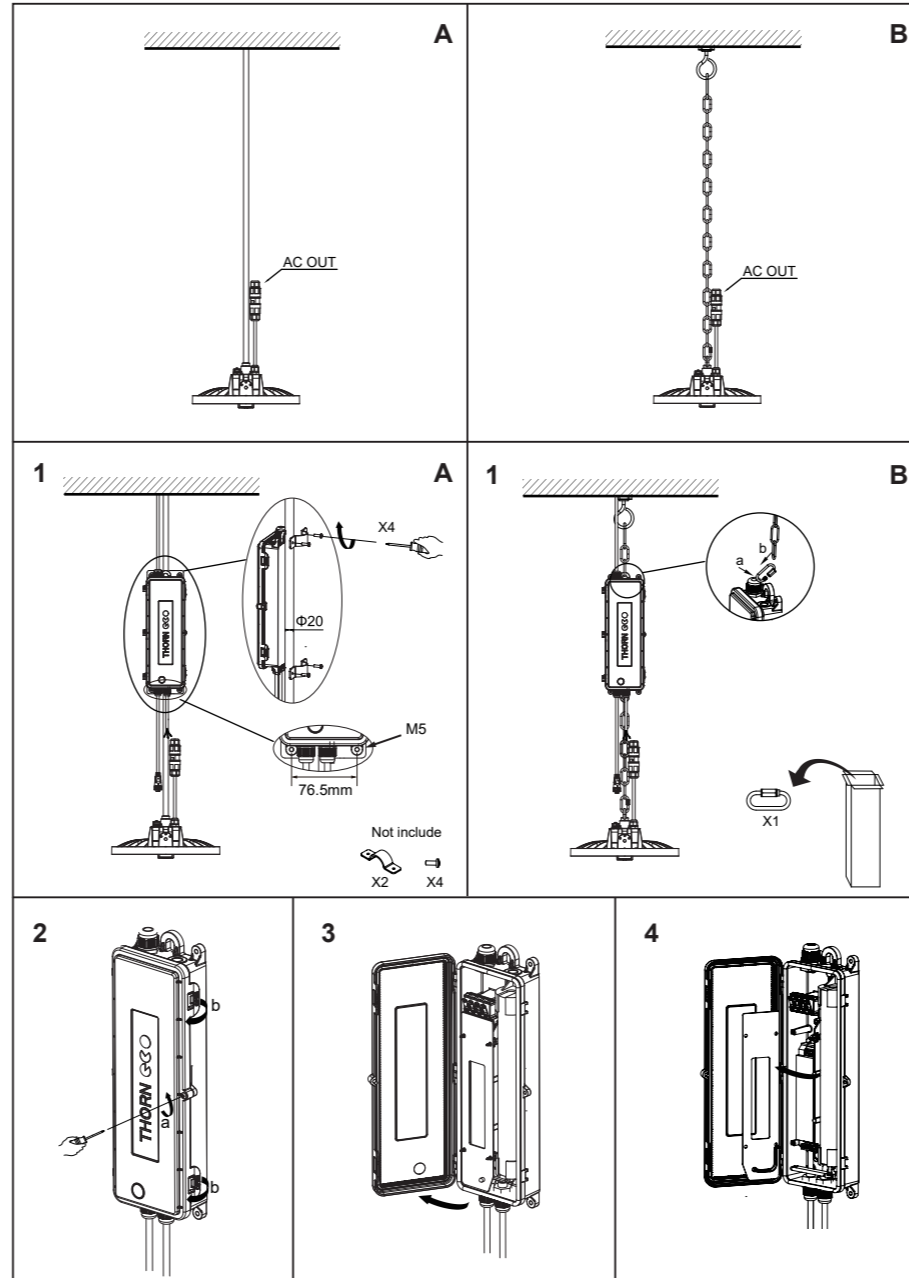


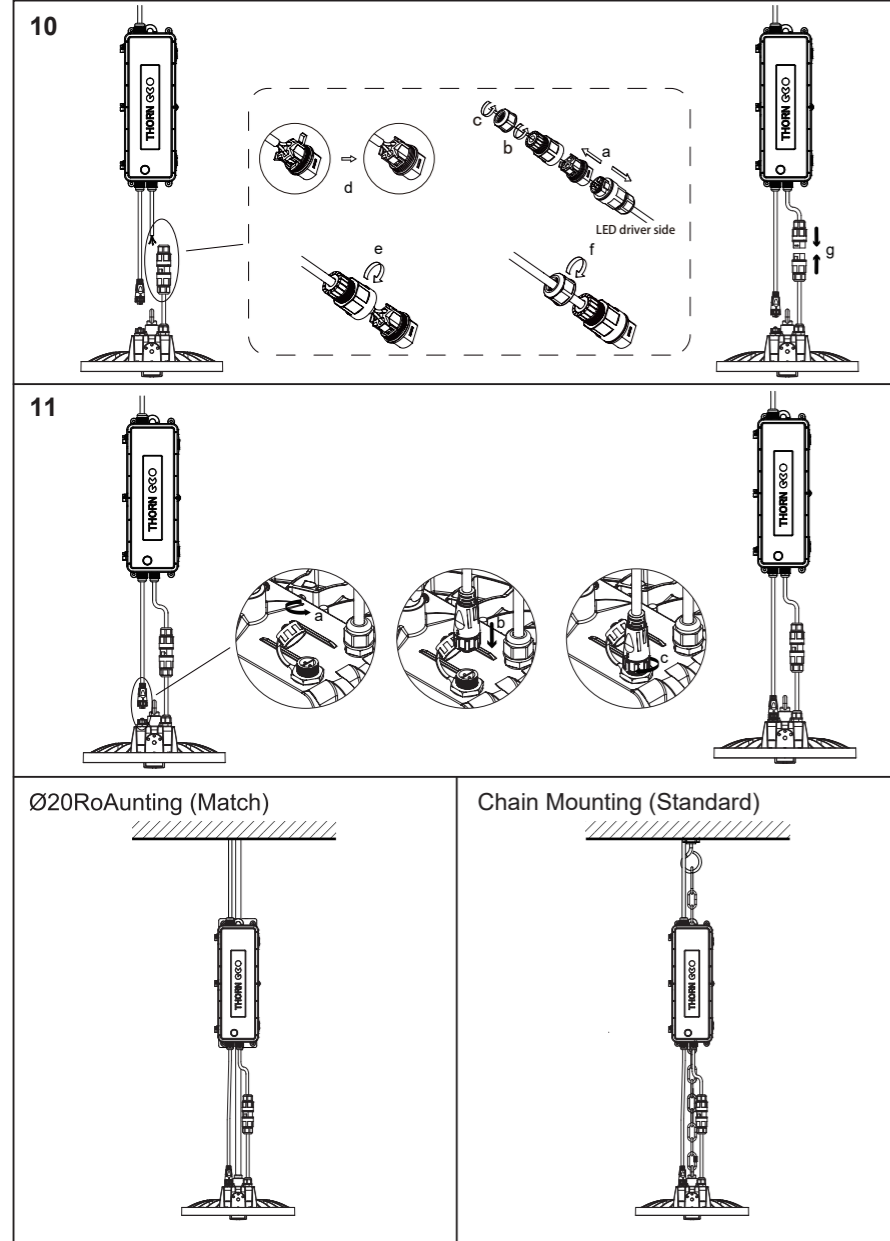
2. Mains power must be switched off before carrying out installation.
3. The manufacturer, shall not be liable for any damage resulting from inappropriate modifications to the luminaire or faulty installation.
4. Caution, risk of electric shock.
The control gear provides basic insulation between the LV supply and the control circuit.

Product Description	SAP Code	Output power	Output voltage range	Output current
BORIS PLUG&PLAY E3 KIT	96634425	4W	DC10...50V, Uout:55V Max	80-400mA



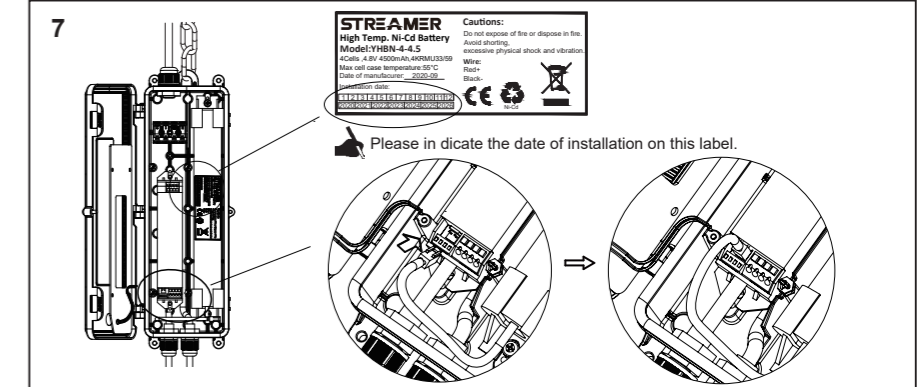
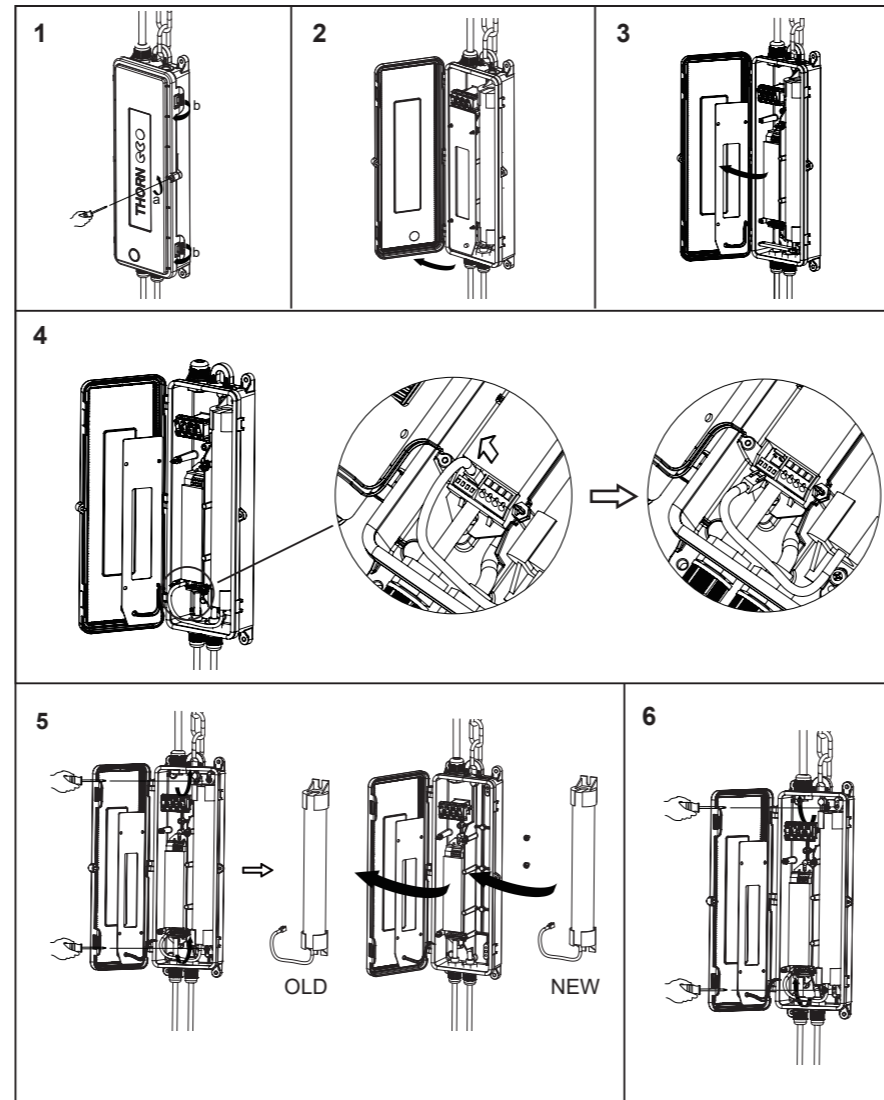
1 Boris PLUG&PLAY E3 Kit	X1
2 Hanging ring	X1





Battery Replacement Instruction

Power off before operation



Explanation of LED Indicator

	GREEN	Charging
	GREEN	Battery is connected
	OFF	Without battery connecting.
	OFF	No power