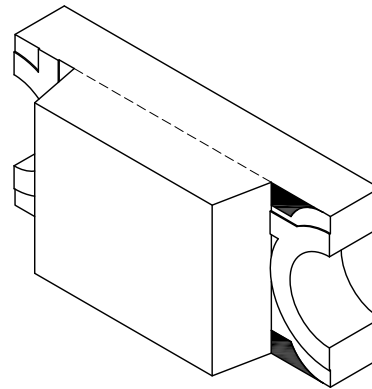
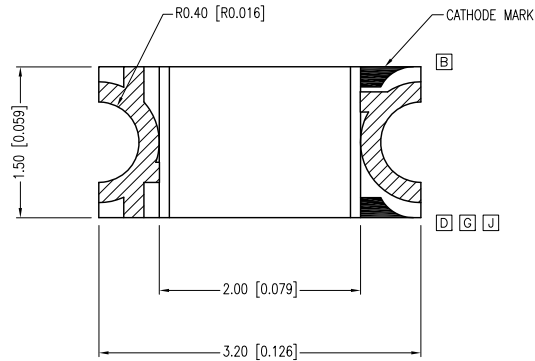
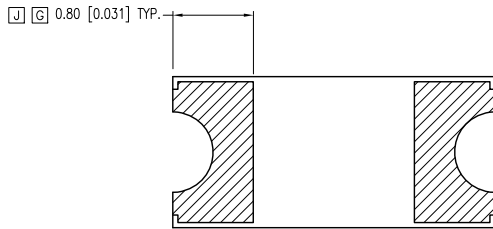
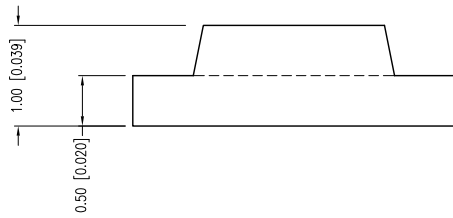


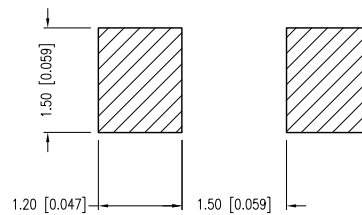
PART NUMBER	SML-LX1206IC-TR	REV.	J
DATE	E.C.N. NUMBER AND REVISION COMMENTS		REV.
11.01.95	ADDED TAPE DIRECTION AND POLARITY.		A
12.18.97	E.C.N. #10404		B
07.18.00	E.C.N. #10644. & REDRAWN IN 3D.		C
12.03.01	E.C.N. #10814.		D
03.14.03	E.C.N. #10967.		E
01.20.05	E.C.N. #11148.		F
01.07.05	E.C.N. #11466.		G
07.19.10	E.C.N. #11644.		H
04.20.11	E.C.N. #10BRDR & REDRAWN.		I
08.07.12	E.C.N. #11829.		J



ANODE CATHODE



G RECOMMENDED SOLDER PAD LAYOUT



ELECTRO-OPTICAL CHARACTERISTICS Ta=25°C If=20mA					
PARAMETER	MIN	TYP	MAX	UNITS	TEST COND
PEAK WAVELENGTH		635		nm	
FORWARD VOLTAGE		2.0	2.6	Vf	
REVERSE VOLTAGE	5.0			Vr	If=100µA
AXIAL INTENSITY		6		mcd	If=20mA
VIEWING ANGLE		160		2x theta	
EMITTED COLOR:	RED				
LENS FINISH:	WATER CLEAR				

H LIMITS OF SAFE OPERATION AT 25°C

PARAMETER	MAX	UNITS
PEAK FORWARD CURRENT*	100	mA
STEADY CURRENT	25	mA
POWER DISSIPATION	65	mW
DERATE FROM 25°C	-1.2	mW/°C
OPERATING TEMP.	-40 TO +85	°C
STORAGE TEMP.	-40 TO +85	°C

* t<10µs

E CAUTION: MOISTURE SENSITIVE DEVICE
PER JEDEC LEVEL 2 STANDARDS

*UNLESS OTHERWISE SPECIFIED TOLERANCES PER DECIMAL PRECISION ARE: X=±1 (±0.039), X.X=±0.5 (±0.020), X.XX=±0.25 (±0.010), X.XXX=±0.127 (±0.005). LEAD SIZE=±0.05 (±0.002), LEAD LENGTH=±0.75 (±0.030). MIN= ^{+DECIMAL PRECISION} _{-0.00} MAX= ^{+0.00} _{-DECIMAL PRECISION}

LUMEX
Creating LED and LCD Solutions Together™

290 E. HELEN ROAD
PALATINE, IL 60067-6976
PHONE: +1.847.359.2790
FAX: +1.847.359.6538
WEB: WWW.LUMEX.COM

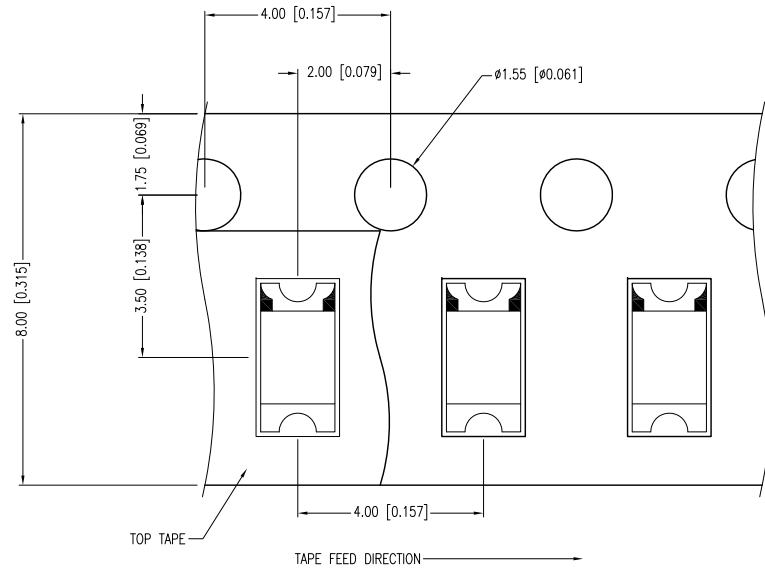
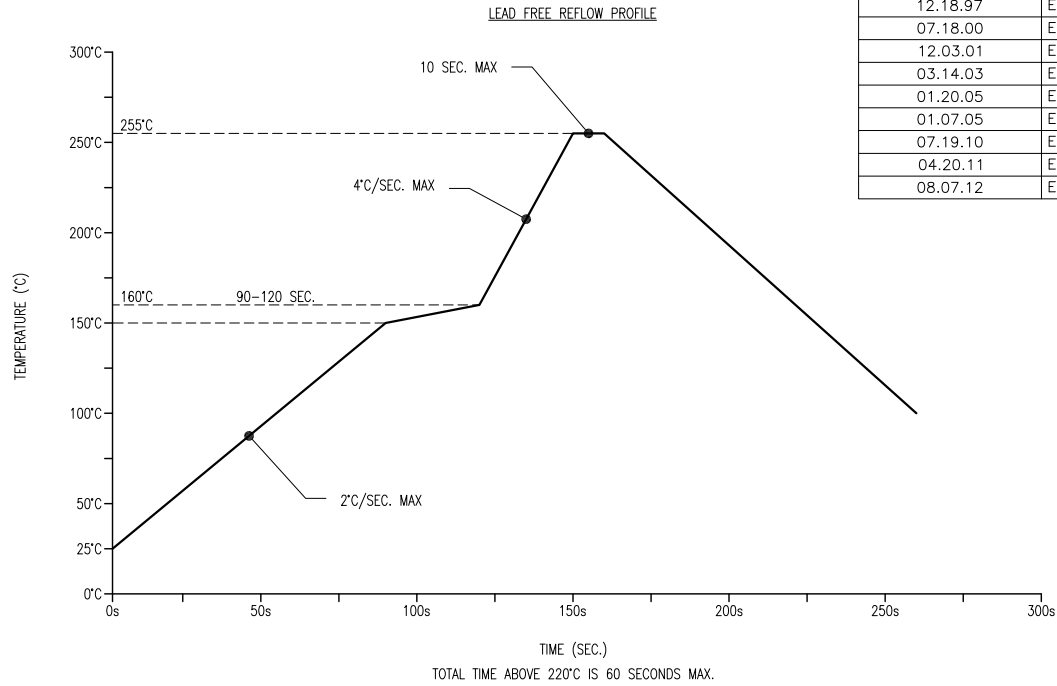
QUASARBRITE 3.2mm x 1.6mm PCB SURFACE MOUNT LED, 635nm RED, WATER CLEAR LENS, TAPE & REEL.

THE SPECIFICATIONS MAY CHANGE AT ANY TIME WITHOUT NOTICE DUE TO NEW MATERIALS OR PRODUCT IMPROVEMENT.

CONFIDENTIAL INFORMATION
THE INFORMATION CONTAINED IN THIS DOCUMENT IS THE PROPERTY OF LUMEX INC. EXCEPT AS SPECIFICALLY AUTHORIZED IN WRITING BY LUMEX INC., THE HOLDER OF THIS DOCUMENT SHALL KEEP ALL INFORMATION CONTAINED HEREIN CONFIDENTIAL AND SHALL PROTECT SAME IN WHOLE OR IN PART FROM DISCLOSURE AND DISSEMINATION TO ALL THIRD PARTIES.

DATE:	04.20.11	DRAWN BY:	AB
PAGE:	1 OF 2	CHKD BY:	KF
SCALE:	NTS	APRVD BY:	KF
UNIT:	mm [INCH]		

PART NUMBER	SML-LX1206IC-TR	REV.	J
DATE	E.C.N. NUMBER AND REVISION COMMENTS		REV.
11.01.95	ADDED TAPE DIRECTION AND POLARITY.		A
12.18.97	E.C.N. #10404		B
07.18.00	E.C.N. #10644. & REDRAWN IN 3D.		C
12.03.01	E.C.N. #10814.		D
03.14.03	E.C.N. #10967.		E
01.20.05	E.C.N. #11148.		F
01.07.05	E.C.N. #11466.		G
07.19.10	E.C.N. #11644.		H
04.20.11	E.C.N. #10BRDR & REDRAWN.		I
08.07.12	E.C.N. #11829.		J



NOTES:
1. THE CATHODE MARK IS ORIENTED TOWARDS THE TAPE SPROCKET HOLE.

*UNLESS OTHERWISE SPECIFIED TOLERANCES PER DECIMAL PRECISION ARE: X=±1 (±0.039), X.X=±0.5 (±0.020), X.XX=±0.25 (±0.010), X.XXX=±0.127 (±0.005). LEAD SIZE=±0.05 (±0.002), LEAD LENGTH=±0.75 (±0.030). MIN= ^{+0.00} DECIMAL PRECISION MAX= ^{-0.00} DECIMAL PRECISION

LUMEX
Creating LED and LCD Solutions Together™

290 E. HELEN ROAD
PALATINE, IL 60067-6976
PHONE: +1.847.359.2790
FAX: +1.847.359.6538
WEB: WWW.LUMEX.COM

QUASARBRITE 3.2mm x 1.6mm PCB SURFACE MOUNT LED, 635nm RED, WATER CLEAR LENS, TAPE & REEL.

THE SPECIFICATIONS MAY CHANGE AT ANY TIME WITHOUT NOTICE DUE TO NEW MATERIALS OR PRODUCT IMPROVEMENT.

CONFIDENTIAL INFORMATION
THE INFORMATION CONTAINED IN THIS DOCUMENT IS THE PROPERTY OF LUMEX INC. EXCEPT AS SPECIFICALLY AUTHORIZED IN WRITING BY LUMEX INC., THE HOLDER OF THIS DOCUMENT SHALL KEEP ALL INFORMATION CONTAINED HEREIN CONFIDENTIAL AND SHALL PROTECT SAME IN WHOLE OR IN PART FROM DISCLOSURE AND DISSEMINATION TO ALL THIRD PARTIES.

DATE: 04.20.11	DRAWN BY: AB
PAGE: 2 OF 2	CHKD BY: KF
SCALE: NTS	APRVD BY: KF
UNIT: mm [INCH]	(P6)