




Product information ELST 3308 RV FM 8 05

Industrial Connecting Solutions:Archive - Industrial Connectors:Circular connectors E-series M8 (Archive):with screw locking:Appliance socket and appliance connector for front panel mounting:ELST 3308 RV FM 8 05

<https://e-catalog.hirschmann.com:443/link/57078-24228-62529-24238-24243-24248-37243/en/conf/ui/state>

Name	ELST 3308 RV FM 8 05
	
	Front-mounting appliance connector with stranded wire, snap or screw locking, M8 x 0.5 mounting thread, metal casing, O-ring included
Delivery informations	
Availability	available until: 31.12.2036
Product description	
Description	Front-mounting appliance connector with stranded wire, snap or screw locking, M8 x 0.5 mounting thread, metal casing, O-ring included
Type	ELST 3308 RV FM 8 05
Order No.	933 146-001
Type of contact	male
Number of contacts	3
Cable material	PVC
Cable length	0.5 m
Conductor size	0.25 mm ²
Standard	IEC 61076-2-101 (Ed. 1)/ IEC 60947-5-2
Housing Color	metallic
Technical data	
Pin dimensions	1 mm
Wire stranding	14 x 0.15 mm
Rated voltage	AC/DC 60 V
Rated current	3 A
Material	
Contact material	Cu Zn
Contact surface material	Au
Contact bearer material	PA black
Housing material	Cu Zn/Ni
O-Ring	NBR
Environmental conditions	
Protection class (IEC 60529)	IP 67 (with snap locking),
Pollution severity	3
Temperature range	-25 °C to +90 °C
Inflammability class	
Contact bearer	94 V-2
Approvals	
UL	UL
Packaging unit	
Packaging unit	100 pieces
Scope of delivery and accessories	
Accessories to order separately	fastening nut ELST M M8, order no. 734 032-001



HIRSCHMANN

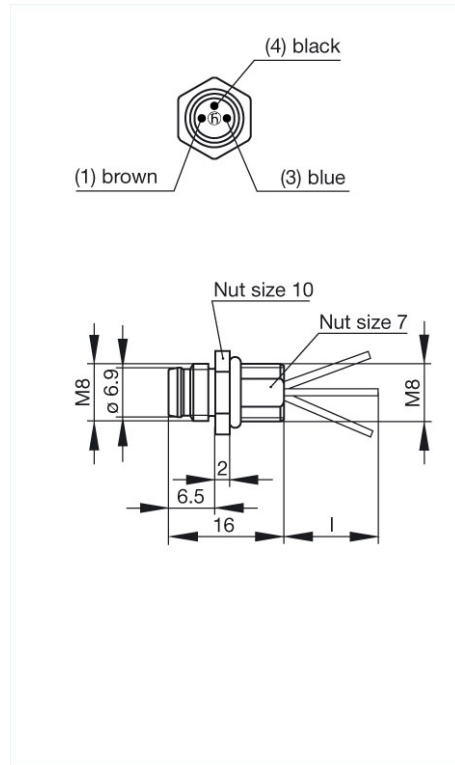
A BELDEN BRAND

Industrial Connecting Solutions:Archive - Industrial Connectors:Circular connectors E-series M8 (Archive):with screw locking:Appliance socket and appliance connector for front panel mounting:ELST 3308 RV FM 8 05

<https://e-catalog.hirschmann.com:443/link/57078-24228-62529-24238-24243-24248-37243/en/conf/uistate>

Picture

Drawing



Belden Deutschland GmbH

Im Gewerbepark 2
58579 Schalksmühle
Germany
Phone: +49 7127/14-1806
E-Mail: icos-sales@belden.com

The information published in the websites has been compiled as carefully as possible. It is subject to alteration without notice in technical as well as in price-related/commercial respect. The complete information and data were available on user documentation. Mandatory information can only be obtained by a concrete query.