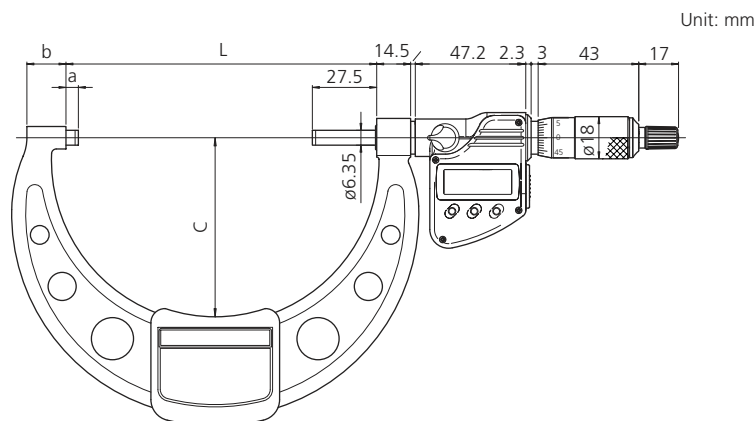
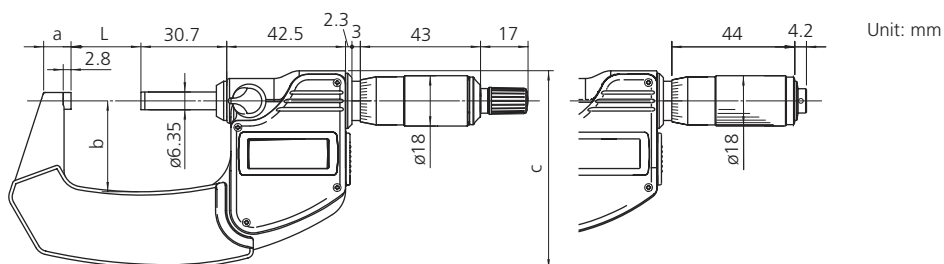


## Dimensions



Range	L	a	b	c
0 - 25mm	0	9	25	(59.8)
25 - 50mm	25	9.8	32	(70.3)
50 - 75mm	50	12.6	47	(91.6)
75 - 100mm	75	14	60	(112.9)
100 - 125mm	132.8	5.3	16.7	(76.5)
125 - 150mm	158.2	5.7	18.8	(91)
150 - 175mm	183.6	6.1	19.1	(103.1)
175 - 200mm	208.8	6.3	18.2	(115.3)
200 - 225mm	234.2	6.7	16.8	(126.8)
225 - 250mm	258	5.5	18	(139.8)
250 - 275mm	284	6.5	18	(152.3)
275 - 300mm	309	6.5	18	(166)

## SPECIFICATIONS

Metric		With ratchet stop	
Range	Order No.	Resolution	Accuracy
0 - 25mm	293-230 / 293-240*	0.001mm	±1□m
25 - 50mm	293-231 / 293-241*	0.001mm	±1□m
50 - 75mm	293-232 / 293-242*	0.001mm	±1□m
75 - 100mm	293-233 / 293-243*	0.001mm	±2□m
100 - 125mm	293-250	0.001mm	±2□m
125 - 150mm	293-251	0.001mm	±2□m
150 - 175mm	293-252	0.001mm	±3□m
175 - 200mm	293-253	0.001mm	±3□m
200 - 225mm	293-254	0.001mm	±3□m
225 - 250mm	293-255	0.001mm	±4□m
250 - 275mm	293-256	0.001mm	±4□m
275 - 300mm	293-257	0.001mm	±4□m

Inch/Metric		With ratchet stop	
Range	Order No.	Resolution	Accuracy
0 - 1"	293-330 / 293-340*	.00005"/0.001mm	±.00005"
1" - 2"	293-331 / 293-341*	.00005"/0.001mm	±.00005"
2" - 3"	293-332 / 293-342*	.00005"/0.001mm	±.00005"
3" - 4"	293-333 / 293-343*	.00005"/0.001mm	±.0001"
4" - 5"	293-350	.00005"/0.001mm	±.0001"
5" - 6"	293-351	.00005"/0.001mm	±.0001"
6" - 7"	293-352	.00005"/0.001mm	±.00015"
7" - 8"	293-353	.00005"/0.001mm	±.00015"
8" - 9"	293-354	.00005"/0.001mm	±.00015"
9" - 10"	293-355	.00005"/0.001mm	±.0002"
10" - 11"	293-356	.00005"/0.001mm	±.0002"
11" - 12"	293-357	.00005"/0.001mm	±.0002"

Metric		With ratchet thimble	
Range	Order No.	Resolution	Accuracy
0 - 25mm	293-234 / 293-244*	0.001mm	±1□m
25 - 50mm	293-235 / 293-245*	0.001mm	±1□m
50 - 75mm	293-236 / 293-246*	0.001mm	±1□m
75 - 100mm	293-237 / 293-247*	0.001mm	±2□m

Inch/Metric		With ratchet thimble	
Range	Order No.	Resolution	Accuracy
0 - 1"	293-334 / 293-344*	.00005"/0.001mm	±.00005"
1" - 2"	293-345*	.00005"/0.001mm	±.00005"
2" - 3"	293-346*	.00005"/0.001mm	±.00005"
3" - 4"	293-347*	.00005"/0.001mm	±.0001"

Metric		With friction thimble	
Range	Order No.	Resolution	Accuracy
0 - 25mm	293-238 / 293-248*	0.001mm	±1□m

Inch/Metric		With friction thimble	
Range	Order No.	Resolution	Accuracy
0 - 1"	293-335 / 293-348*	.00005"/0.001mm	±.00005"
1" - 2"	293-336	.00005"/0.001mm	±.00005"

\*without SPC data output

\*without SPC data output

