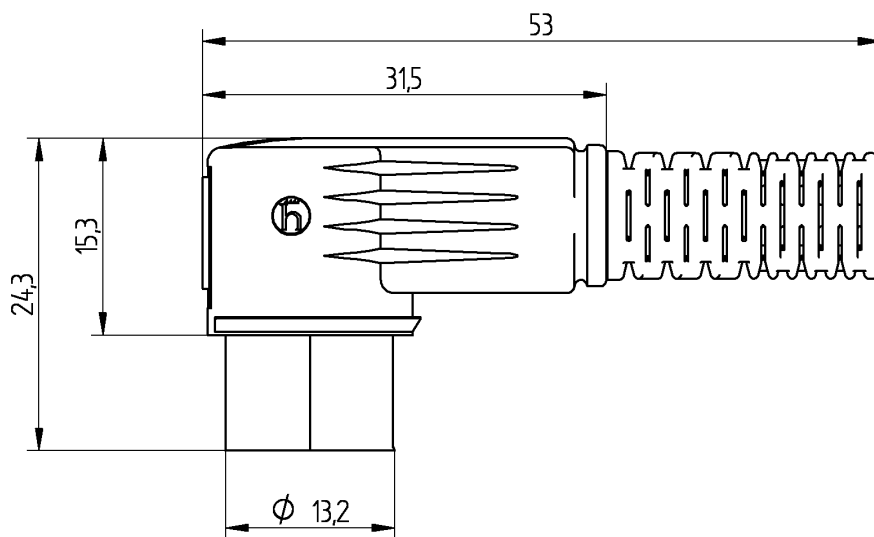
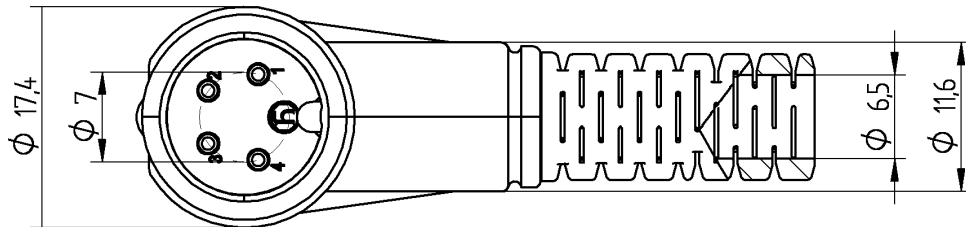
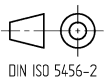


RoHS ✓



The information/details in this datasheet merely contain general descriptions or performance factors which, when applied in an actual situation, do not always correspond with the described form, and may be amended by way of the further development of products. The desired performance factors shall only be binding if these are expressly agreed on conclusion of the contract.



**Product description**

Description	Multi plug angled
Type	MAWI 40 B
Order No	931-567-517
Type of contacts	male
Number of contacts	4
Conductor size	max. 0,34 mm <sup>2</sup>
Standard	EN 60 130-9 IEC-31
Color contact bearer	grey

**Technical data**

Pin dimensions	Ø 1,5 mm
Rated voltage	34V AC/DC
Rated current *	4 A
Pollution degree	3 acc. to DIN EN 60664-1 (VDE 0110-1)
Type of connection	solder
Suitable cables	Ø6,5 mm

\* Notice derating

**Materials**

Contact	CuZn
Contact plating	Cu/Sn
Contact bearer	PA 66
Housing	PE LD

**Environmental conditions**

Protection class (IEC 60529) *	IP30
Temperature range	-20°C to +60°C, notice Derating

\* only if mounted and locked in combination with Hirschmann / Lumberg connector.

**Flammability class**

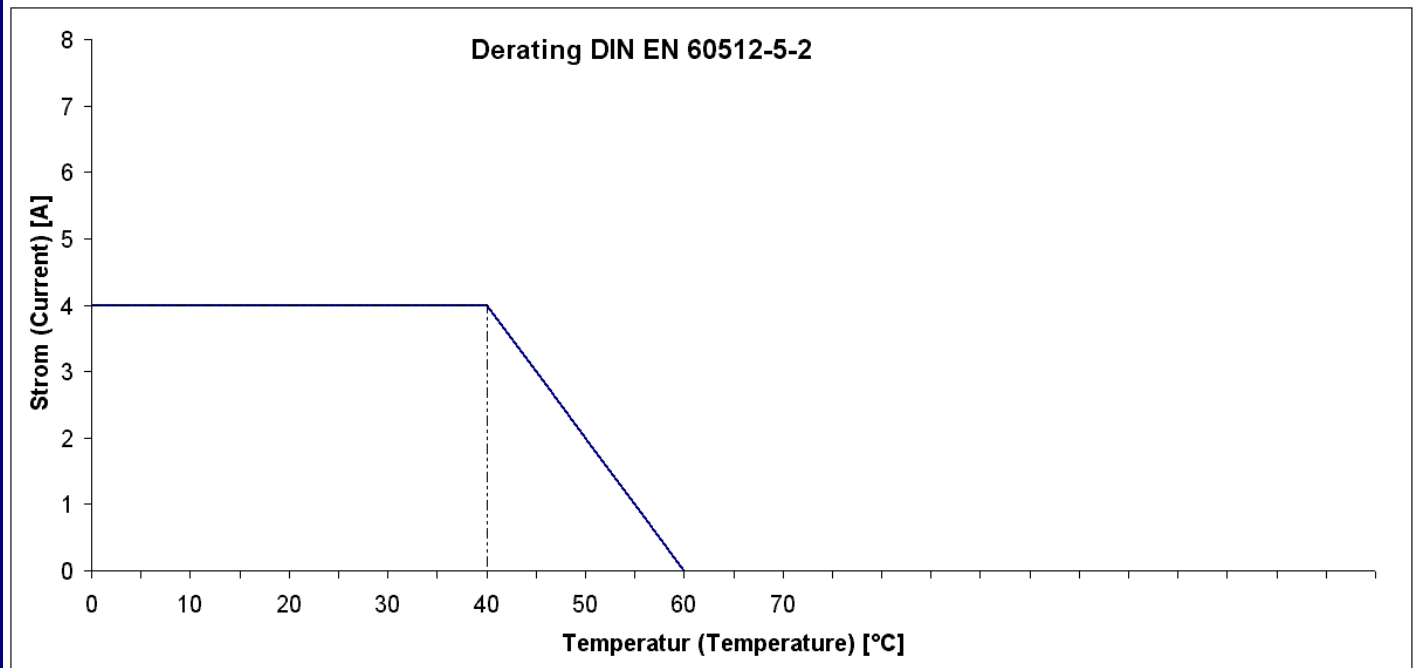
Contact bearer	UL 94 V-2
----------------	-----------

**Accessories**

Mating connectors	930-150-517, MAK 40, Cable socket 931-086-117, MAK 40 UM, Cable socket 930-009-117, MAB 4, panel mount socket 930-951-517, MAB 4100, panel mount socket
-------------------	--

**Notes**

Do not connect or disconnect under load.



product overview

Article-No.	Type
931-567-517	MAWI 40 B