

# LQH5BPZ2R2NT0#

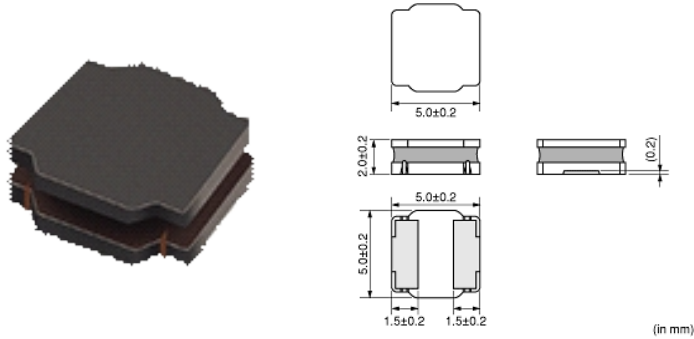
“#” indicates a package specification code.

For Automotive (car navigation/car audio)\*Remove the portion asked for high reliability ex.power train



< List of part numbers with package codes >  
LQH5BPZ2R2NT0K LQH5BPZ2R2NT0L

## Appearance & Shape



## References

Packaging	Specifications	Minimum Order Quantity
K	330Embossed Tape	3000
L	180Embossed Tape	500

Mass (typ.)	
1 piece	0.22g

## Notices

When rated current is applied to the products, inductance will be within  $\pm 30\%$  of initial inductance value. When rated current is applied to the products, self-temperature rise shall be limited to 40°C max. Keep the temperature (ambient temperature plus self-generation of heat) under 125°C.

### Attention

- 1.This datasheet is downloaded from the website of Murata Manufacturing Co., Ltd. Therefore, it's specifications are subject to change or our products in it may be discontinued without advance notice. Please check with our sales representatives or product engineers before ordering.
- 2.This datasheet has only typical specifications because there is no space for detailed specifications.  
Therefore, please review our product specifications or consult the approval sheet for product specifications before ordering.

# LQH5BPZ2R2NT0#

“#” indicates a package specification code.



## Specifications

L size	5.0±0.2mm
W size	5.0±0.2mm
T size	2.0±0.2mm
Size code inch (mm)	2020 (5050)
Inductance	2.2μH±30%
Inductance Test Frequency	100kHz
Rated current (I <sub>sat</sub> ) (Based on Inductance change)	4.0A
Rated current (I <sub>temp</sub> ) (Based on Temperature rise)	2.6A(Ambient temp.85°C)1.37A(Ambient temp.105°C)
Max. of DC resistance	0.036Ω
Operating Temperature Range (Self-temperature rise is included)	-40°C to 125°C
Class of magnetic shield	Magnetic Resin
Self resonance frequency (min.)	55MHz
Operating Temperature Range(Self-temperature rise is not included)	-40°C to 105°C
DC Resistance Intermediate Values	0.030Ω±20%
Series	LQH5BPZ_T0

### Attention

1.This datasheet is downloaded from the website of Murata Manufacturing Co., Ltd. Therefore, it's specifications are subject to change or our products in it may be discontinued without advance notice. Please check with our sales representatives or product engineers before ordering.

2.This datasheet has only typical specifications because there is no space for detailed specifications.

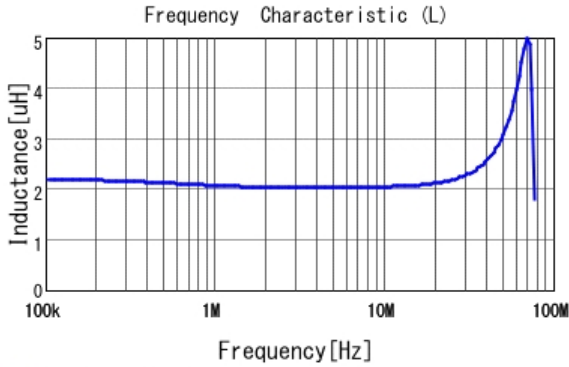
Therefore, please review our product specifications or consult the approval sheet for product specifications before ordering.

# LQH5BPZ2R2NT0#

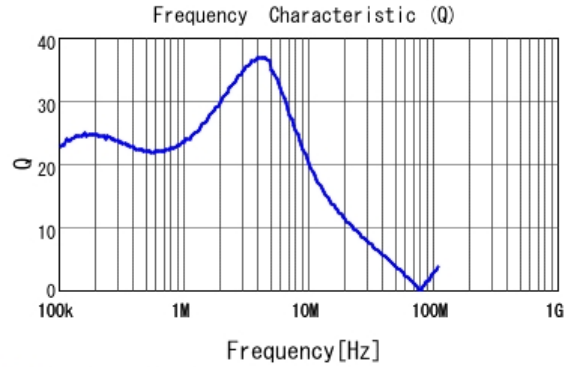
“#” indicates a package specification code.

## Characteristic Data

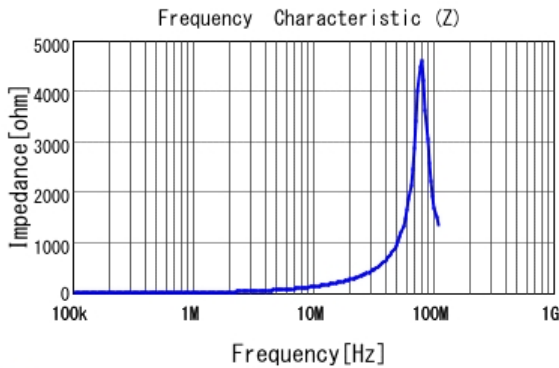
The charts below may show another part number which shares its characteristics.



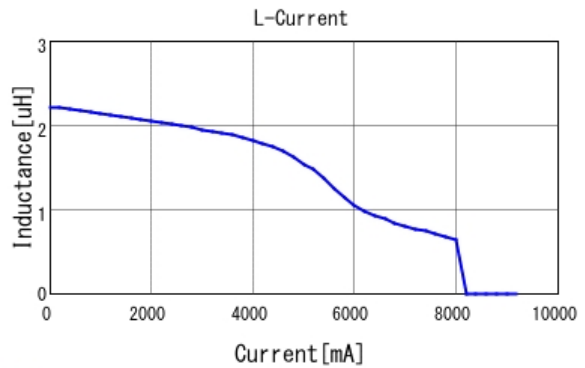
■ LQH5BPZ2R2NT0 L



■ LQH5BPZ2R2NT0 Q



■ LQH5BPZ2R2NT0 |Z|



■ LQH5BPZ2R2NT0 L-Current 20degC

**Attention**

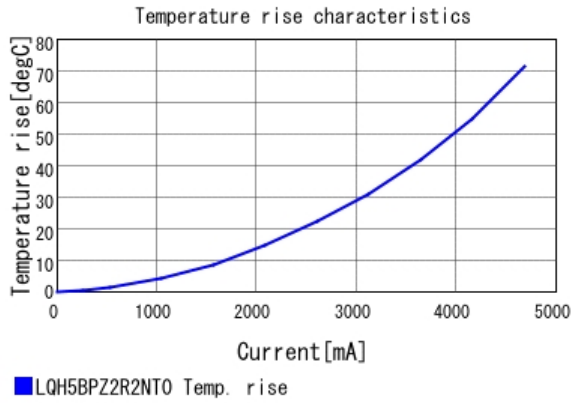
1.This datasheet is downloaded from the website of Murata Manufacturing Co., Ltd. Therefore, it's specifications are subject to change or our products in it may be discontinued without advance notice. Please check with our sales representatives or product engineers before ordering.

2.This datasheet has only typical specifications because there is no space for detailed specifications.

Therefore, please review our product specifications or consult the approval sheet for product specifications before ordering.

# LQH5BPZ2R2NT0#

“#” indicates a package specification code.



**Attention**

- 1.This datasheet is downloaded from the website of Murata Manufacturing Co., Ltd. Therefore, it's specifications are subject to change or our products in it may be discontinued without advance notice. Please check with our sales representatives or product engineers before ordering.
  - 2.This datasheet has only typical specifications because there is no space for detailed specifications.
- Therefore, please review our product specifications or consult the approval sheet for product specifications before ordering.