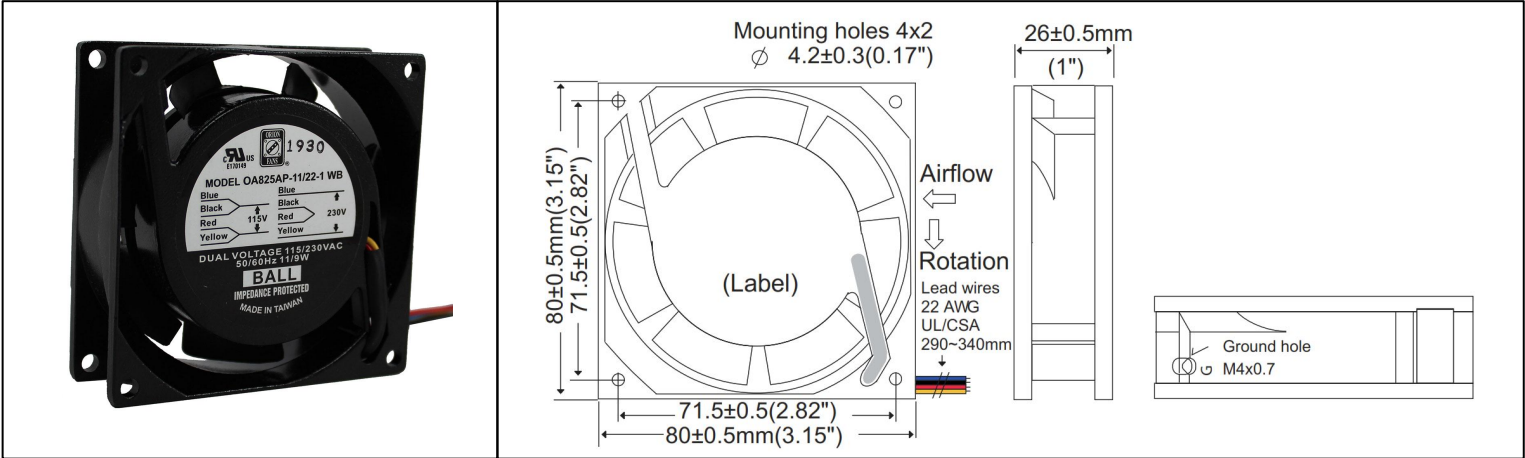


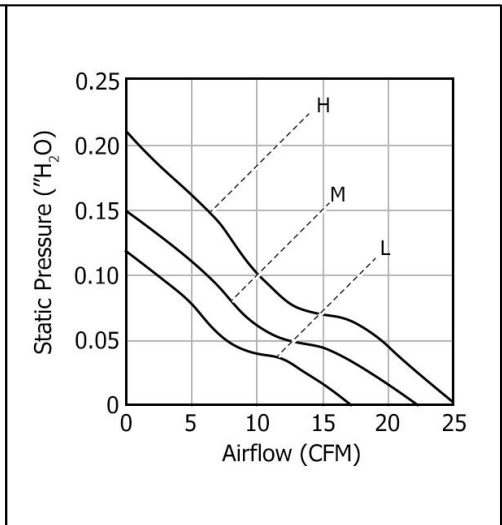
OA825AP Dual Voltage



AC Fan - 115V, 230V
80x80x25mm (3"x1.0")



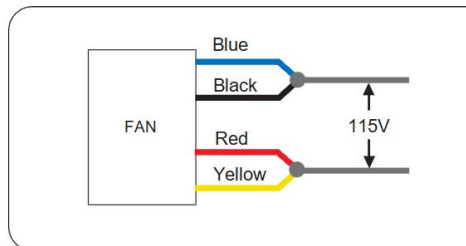
| | | |
|-----------------------|-----------------------------------------------------------------------|-------------------------------------------------------------------------------------------------------------------------------------------------------------------------------------------------|
| Frame | Die Cast Aluminum, Black Finish | Operating Temperature -20°C ~ +70°C Storage Temperature -40°C ~ +100°C Life Expectancy 80,000 hours (L10 at 45°C) Weight: 0.57 lbs m0 |
| Impeller | PBT, UL94 V-0 plastic | |
| Connection | 4x Lead wires, 22 AWG | |
| Motor | Inner Rotor, Shaded Pole Induction, Single Phase, Impedance Protected | |
| Bearing System | Dual Ball Bearings | |
| Dielectric Strength | 1500VAC/min < 1mA | |
| Insulation Resistance | Over 100MΩ @ 500VDC Between Leadwires and Frame | |



| Part Number | Rated Voltage 50/60Hz | Input Power 50/60Hz | Voltage Range | Rated Speed (RPM) 50/60Hz | Airflow (CFM) 50/60Hz | Noise Level (dB) 50/60Hz | Max. Static Pressure (\"/> |
|-------------------|-----------------------|---------------------|-------------------|---------------------------|-----------------------|--------------------------|----------------------------|
| OA825AP-11/22-1WB | 115 / 230 VAC | 11 / 9 W | 100-120 / 200-240 | 2500 / 3000 | 22 / 25 | 28 | 0.18 / 0.21 |
| OA825AP-11/22-2WB | 115 / 230 VAC | 8 / 6 W | 100-120 / 200-240 | 2100 / 2500 | 18 / 22 | 24 | 0.14 / 0.15 |
| OA825AP-11/22-3WB | 115 / 230 VAC | 6 / 4 W | 100-120 / 200-240 | 1900 / 2100 | 15 / 17 | 19 | 0.11 / 0.12 |

*PQ Airflow Data specifications are for 60 Hz operation

Dual Voltage Wiring Diagram 115VAC



Dual Voltage Wiring Diagram 230VAC

