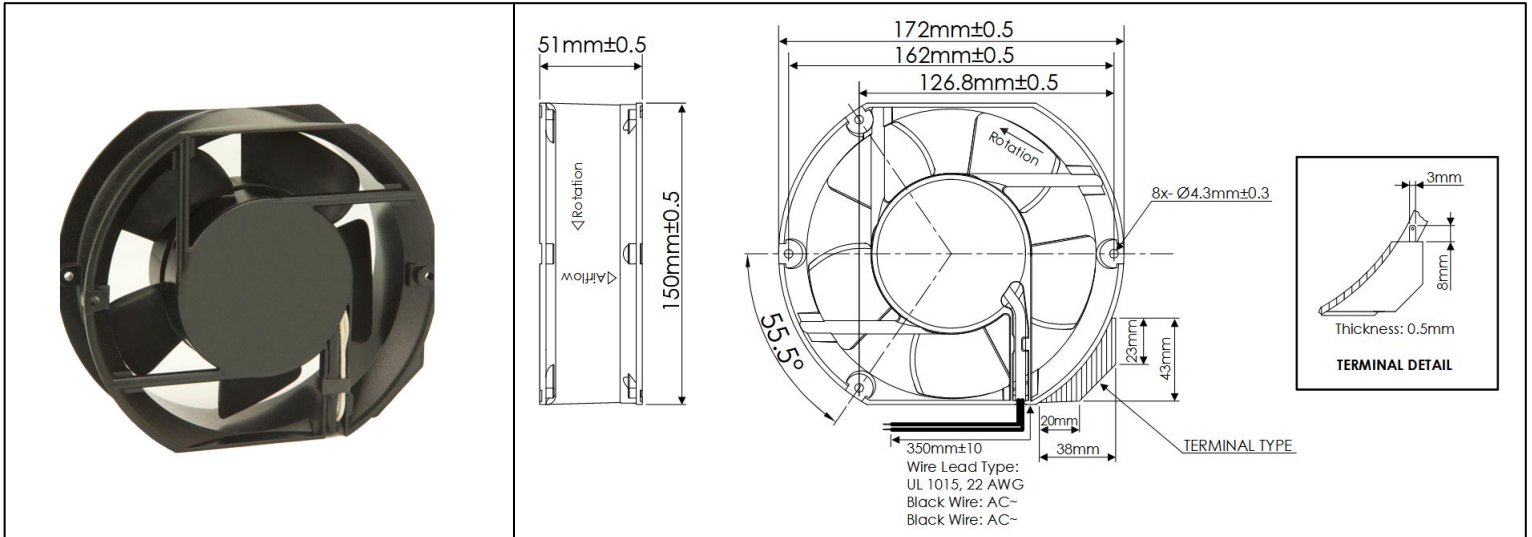


OA172EC Series



EC Fans - 115, 230V
172mm x 150mm x 51mm (6.8" x 5.9" x 2.0")



Frame	Die Cast Aluminum, Black Finish	<u>Operating Temperature</u> -20°C ~ +70°C	
Impeller	PBT, UL94 V-0 Plastic	<u>Storage Temperature</u> -30°C ~ +75°C	
Connection	Terminals or Wire Leads	<u>Life Expectancy</u> 50,000 Hours (L10 at 40°C)	
Motor	EC Motor, Electronically Protected	<u>Available Options</u> PWM Speed Control Input Tachometer Output Alarm Output IP Ratings	
Bearing System	Ball Bearings	Weight: 1.54 lbs	
Dielectric Strength	1500VAC/min, <1mA		
Insulation Resistance	≥10MΩ @500VAC		

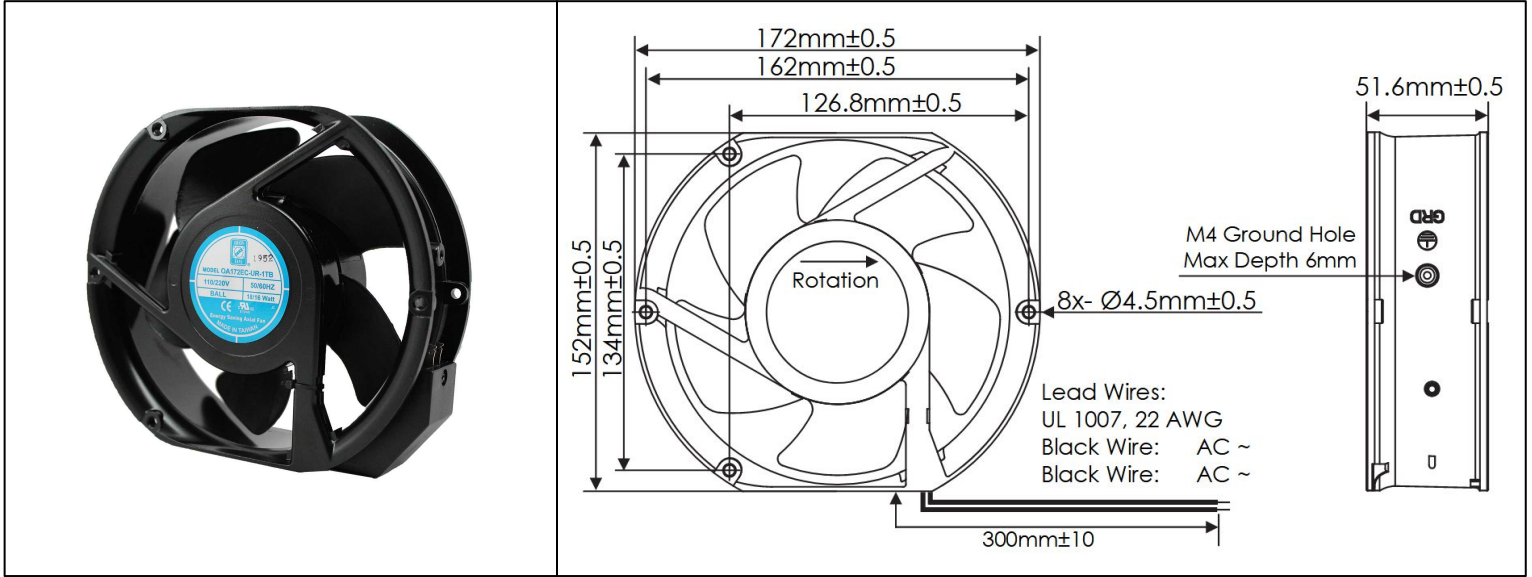
Part Number	OA172EC-11-1*	OA172EC-22-1*
Rated Voltage (Volts AC)	115 (50/60Hz)	230 (50/60Hz)
Voltage Range (Volts AC)	103 ~ 127 (50/60Hz)	207 ~ 253 (50/60Hz)
Rated Power (Watts)	15	15
Rated Current (Amps)	0.23	0.13
Rated Speed (RPM)	3000	3000
Max Airflow (CFM)	220	220
Noise Level (dBA)	57.3	57.3
Max Static Pressure (\"H2O)	0.62	0.62

*Insert T for Terminal and W for Wire Leads

OA172EC Universal Range Series



EC Fan - Universal Voltage
172mm x 152mm x 51.6mm (6.8" x 5.99" x 2.03")



Frame	Die Cast Aluminum, Black Finish	<u>Operating Temperature</u> -20°C ~ +65°C	
Impeller	PBT, UL94 V-0 Plastic	<u>Storage Temperature</u> -20°C ~ +75°C	
Connection	Terminals or Wire Leads	<u>Life Expectancy</u> 50,000 Hours (L10 at 40°C)	
Motor	EC Motor, Electronically Protected	<u>Available Options</u> PWM Speed Control Input Tachometer Output Alarm Output IP Ratings	
Bearing System	Ball Bearings	Weight: 1.47 lbs	
Dielectric Strength	1500VAC/min, <1mA		
Insulation Resistance	≥10MΩ @ 500VAC		

Part Number	OA172EC-UR-1*B
Rated Voltage (Volts AC)	115/230
Voltage Range (Volts AC)	90 ~ 265
Rated Power (Watts)	18 ~ 16 Max, 12.5 Typ.
Rated Speed (RPM)	3000
Max Airflow (CFM)	220
Noise Level (dBA)	55.2
Max Static Pressure (\"H2O)	0.8

*Insert T for Terminal and W for Wire Leads