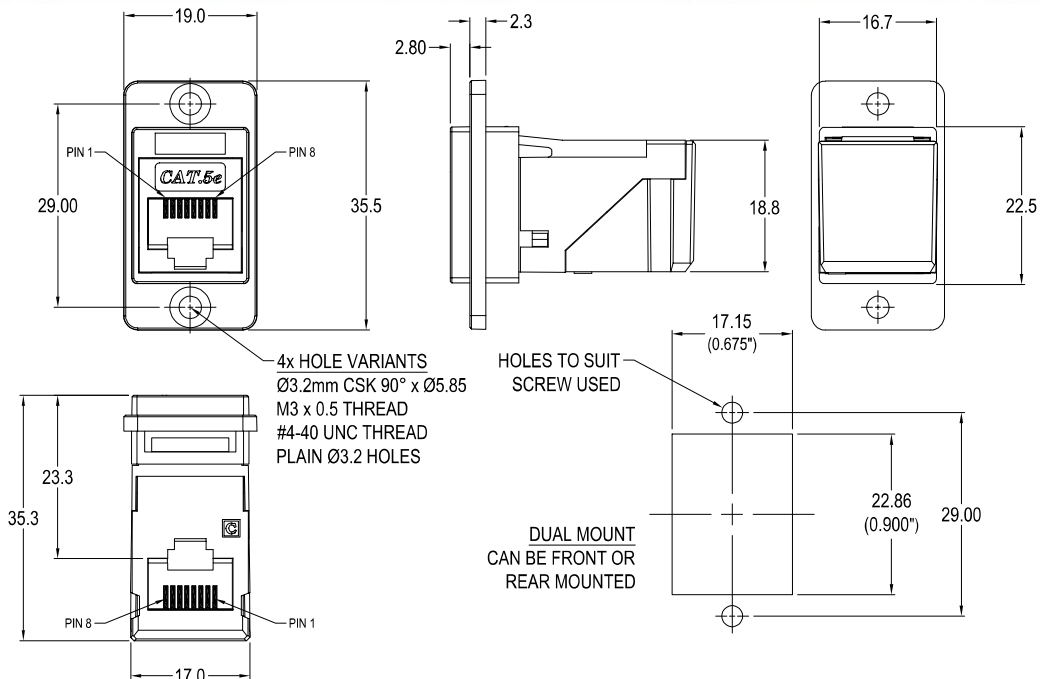


CLIFF

DUALSLIM CAT5e RJ45 RIGHT ANGLE METAL FEEDTHROUGH CONNECTOR

Can be front or rear mounted in the panel



VARIANTS

Part No.

CP30751M	RAFT DUALSLIM Cat5e RJ45 Nickel frame, CSK holes
CP30751MB	RAFT DUALSLIM Cat5e RJ45 Black metal frame, CSK holes
CP30751M3	RAFT DUALSLIM Cat5e RJ45 Nickel frame, M3 holes
CP30751MB3	RAFT DUALSLIM Cat5e RJ45 Black metal frame, M3 holes
CP30751M440	RAFT DUALSLIM Cat5e RJ45 Nickel frame, #4-40 holes
CP30751MB440	RAFT DUALSLIM Cat5e RJ45 Black metal frame, #4-40 holes
CP30751MX1	RAFT DUALSLIM Cat5e RJ45 Nickel frame, Ø3.2 PLAIN holes
CP30751MBX1	RAFT DUALSLIM Cat5e RJ45 Black metal frame, Ø3.2 PLAIN holes

Feedthrough Features

- Fits standard rectangular cutout.
- Front or rear mounting through the panel.
- Various hole mounting options.
- No soldering or punch termination. Use standard cable for each connector style.
- Low rear profile.
- 90° or right angle rear cable entry.

General:

Please note: Functionality is affected by cable quality, length and cable wiring configuration.

Material:

1. RJ45 In-Line Coupler: ABS UL94-V2
2. RJ45 In-Line Coupler Contact: Phosphor Bronze, gold plating
3. PCB: FR4
4. Frame: Diecast, Nickel or Black plated

Performance:

1. T568A & T568B wiring.
2. Meet ISO/IEC 11801 and EN50173
3. Meet ANSI/TIA/EIA 568B.2
4. Rating 125VAC RMS 1.5A
5. Operating Temperatures: Min -10°C Max +60°C