

Composite RJ45 and USB overmolded cordsets

Reinforced Infocom Connectors for Harsh Environment
Rugged Digital Networks Solutions

NEW



Amphenol



Connecting to people + technology

www.rjfield.com



Rugged RJ45 Field

Plastic shell - Overmolded cordset



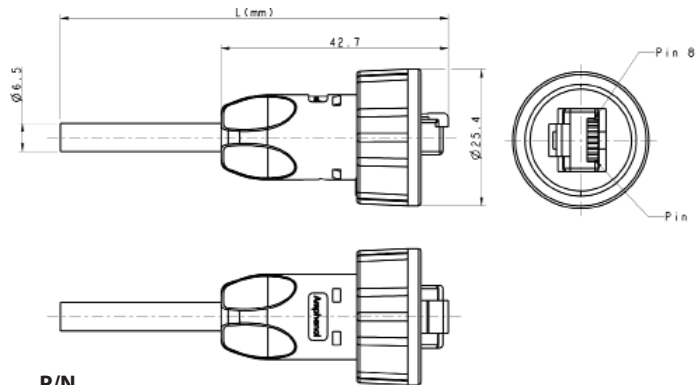
IP68 SEALED ETHERNET/RJ45 CONNECTION SYSTEM

- Plastic shells
- Thread coupling
- Overmolded plug cordset: male sealed RJ45 plug to open end
- Available cordset lengths: 2 m and 10 m [6.56 and 32.80 ft]
- For other lengths, please consult us.
- Rear mount jam nut receptacles with straight RJ45 and 90° RJ45 back terminations. Panel gasket is included.
- Temperature range: -20°C +80°C

Applications

- Telecom equipment
- Video control
- Robotics
- Industrial process control
- CNC machines
- Special machines
- Motion control
- Tele-maintenance

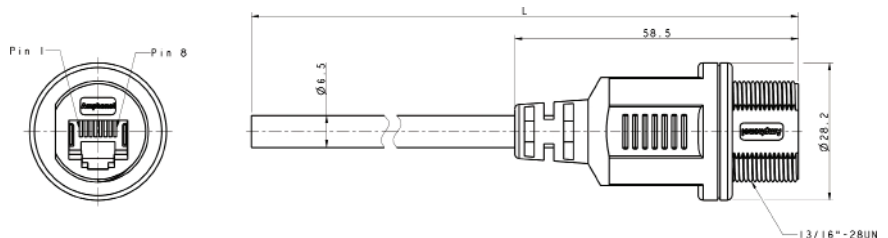
Cordset male sealed RJ45 plug to open end



- PIN ASSIGNMENTS**
(AWG24)
- 1 = orange/white
 - 2 = orange
 - 3 = green/white
 - 4 = blue
 - 5 = blue/white
 - 6 = green
 - 7 = brown/white
 - 8 = brown

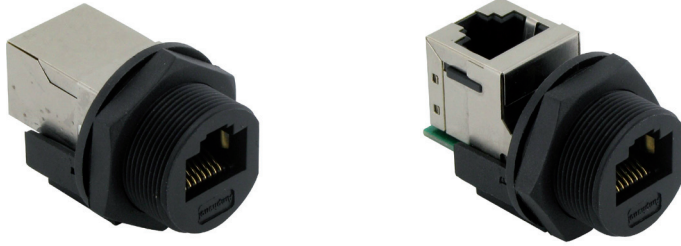
Part number	L	P/N
	2000±100mm [78.74±3.94]	RJ45F6200OPEN
	10000±500mm [393.70±19.69]	RJ45F2KOPEN

Cordset female RJ45 receptacle to open end

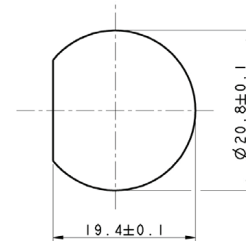
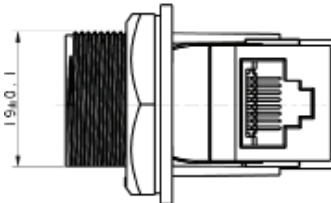
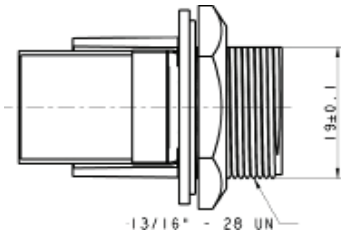
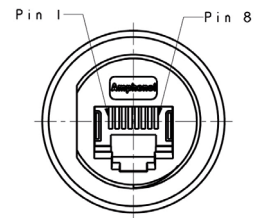
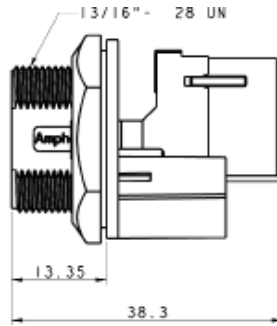
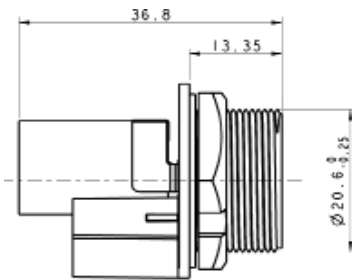


Part number	L	P/N
	2000±100mm [78.74±3.94]	RJ45F1200OPEN
	10000±500mm [393.70±19.69]	RJ45F11KOPEN

Receptacle - Female RJ45



Part number	Type	P/N
	Straight RJ45	RJ45F7RJ
	90° RJ45	RJ45F7RJ90



Plastic cap with metal chain



Part number: RJ45FC7



USB-A plastic

Plastic shell - Overmolded cordset



IP68 SEALED USB-A CONNECTION SYSTEM

- Plastic shells
- Thread coupling
- Overmolded plug cordset: male sealed USB-A plug to standard USB-A plug
- Available cordset lengths: 2m and 5m. For other lengths, please contact us
- Rear mount Jam Nut receptacle with 50 mm flying lead + 5-way connectorback termination. Panel gasket included
- Temperature range: -20°C +80°C.
- Standard USB-A plug can be used with our USBFTV series connectors

Applications

■ Embedded computers

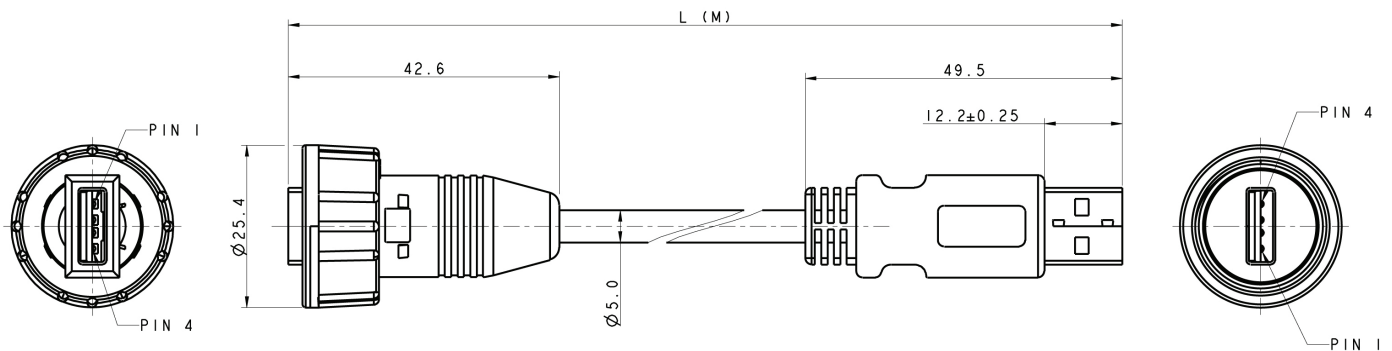
■ Data Transfer

■ Numerical control machines

Cordset male sealed USB-A plug to standard USB-A plug



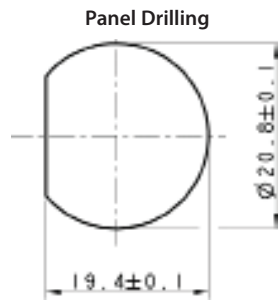
Part number	Length	
	USBAF6A200	2000±60mm
USBAF6A500	5000±60mm	196.85±2.36]



Receptacle female USB-A

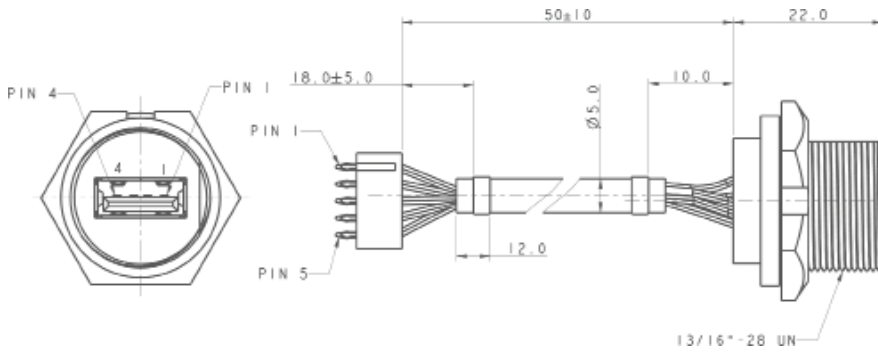


Part number:
USBAF7



JWT CONNECTOR – PITCH 2.5MM

JWT 1 = USBA1 = RED (AWG 24)
JWT 2 = USBA2 = WHITE (AWG 28)
JWT 3 = USBA3 = GREEN (AWG 28)
JWT 4 = USBA4 = BLACK (AWG 24)
JWT 5 = USBA Shield = YELLOW (AWG 24)



Receptacle cap



Part number: USBAFC7



USB Mini B Field



IP68 SEALED MINI USB-B CONNECTION SYSTEM

- Plastic shells
- Thread coupling
- Overmolded plug cordset: male sealed Mini USB-B plug to open end
- Available cordset length: 2m and 5m. For other lengths, please contact us
- Rear mount Jam Nut receptacles with straight pcb and 90° pcb back terminations. Panel gasket is included
- Temperature range: -20°C +80°C

Applications

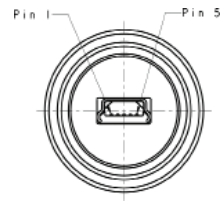
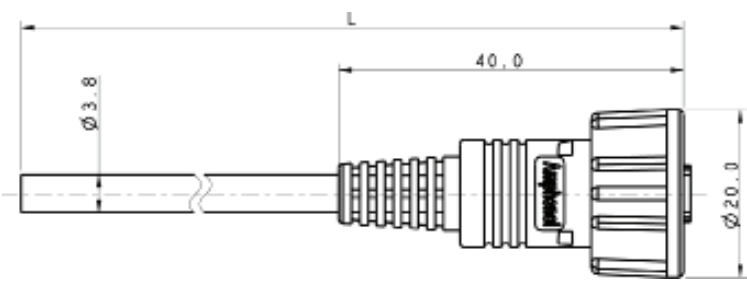
- Embedded Computers
- Data Transfer
- Numerical Control Machine

Cordset male sealed mini usb-b plug to open end



PART NUMBERS:

- L = 2000±50mm [78.77±1.97] - P/N: **USBMINIBF6200OPEN**
- L = 5000±50mm [196.85±1.97] - P/N: **USBMINIBF6500OPEN**

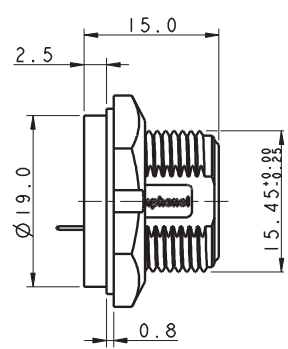


- #### PIN ASSIGNMENTS (FRONT VIEW)
- 1 = RED (AWG 28)
 - 2 = WHITE (AWG 28)
 - 3 = GREEN (AWG 28)
 - 4 = YELLOW (AWG 28)
 - 5 = BLACK (AWG 28)
 - Shield = Drain

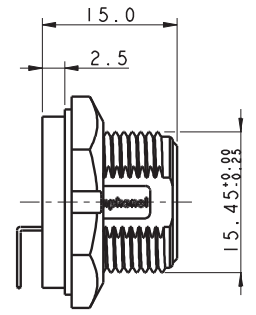
Receptacle - Female Mini USB-B



Straight PCB p/n
USBMINIBF7PCB



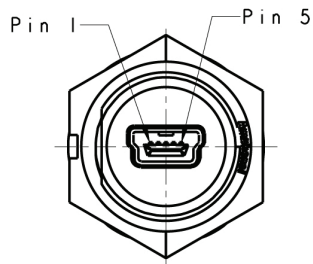
PCB 90° p/n
USBMINIBF7PCB90



Receptacle - Female Mini USB-B



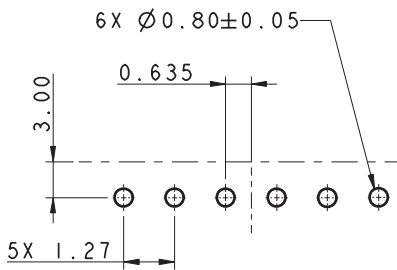
Front view



Pin Assignments
Front view

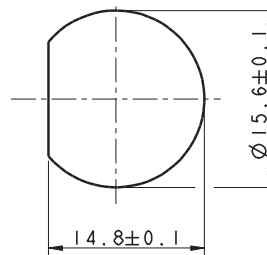
For all options:

PCB Layout



Comment: for 90° version, the distance from pcb edge is 2,5mm max.

Panel Drilling



Receptacle cap



Part number: USBMINIBFC7

NORTH AMERICA

Amphenol Pcd, Inc.
72 Cherry Hill Drive
Beverly, MA. 01915 - USA
Telephone:+1-978-624-3400
info@amphenolpcd.com

EUROPE

Amphenol AIR LB
10 Rue Champ Raymond,
08110 Carignan-France
Telephone:+33-3-2422-3270
Fax: +33-3-2422-387

Amphenol AIR LB GmbH
Am Kleinbahnhof 4
66740 Saarlouis-Germany
Telephone:+49-6831-981-00
Fax: +49-6831-981-030

Amphenol BENELUX
Zadelmaker 121 NL
2401 PD Alphen aan den Rijn-Netherlands
Telephone:+31-172-444-903
Fax:+31-172-240-254

Amphenol IBERICA
Edificio «Burgosol»
c/Comunidad de Madrid, 35 bis Oficina
Nº55
ES - 28230 Las Rozas - Madrid - Spain
Telephone:+34-91-640-73-02/03/04
Fax: +34-91-640-73-07

Amphenol ITALIA
Via Barbaiana n°5,
20020 Lainate-Milano-Italy
Telephone:+39-02-93254-1
Fax: +39-02-93254-444

Amphenol LIMITED
Thanet Way, Whitstable - Kent,
CT5 3JF United Kingdom
Telephone:+44-1227-773-200
Fax:+44-1227-276-571

Amphenol MIDDLE & EASTERN EUROPE
Wiener gase 68,
2380 Perchtoldsdorf - Austria
Telephone:+43-699-10396-071
Fax: +43-699-40396-071

SEFEE
ZI des Cazes - BP 243
12403 Saint Affrique - France
Telephone:+33-5-6598-1100
Fax: +33-5-6549-3712

Amphenol SCANDINAVIA
Ångsullsvägen 7 - S-187 51 Täby - Sweden
20020 Lainate-Milano-Italy
Telephone:+46-702-12-92-00
Fax: +46-702-63-46-77

Amphenol SOCAPEX
948 Promenade de l'Arve - BP29,
74311 Thyez Cedex - France
Telephone:+33-4-5089-2840
Fax:+33-4-5096-1941

Amphenol SOUTH EASTERN EUROPE
948 Promenade de l'Arve - BP29
74311 Thyez Cedex - France
Telephone:+33-4-5089-2840
Fax: +33-4-5096-1941

ASIA

Amphenol DAESHIN
558 Sosa, SongNea
Bucheon-city, Kyunggi-Do
Korea 420-130
Telephone:+82-32-610-3800
Fax:+82-32-673-2507/665-6219

Amphenol INTERCONNECT INDIA
PRIVATE LIMITED
105 Bhosari industrial Area
Pune 411 026 - India
Telephone:+91-20-712-
0363/0463/0155
Fax:+91-20-712-0581

Amphenol JAPAN
689-1, Iseochi
Ritto-shi Shiga 520-3044-Japan
Korea 420-130
Telephone:+81-77-553-8501
Fax:+81-77-551-2200

Amphenol PCD CO.LTD
2/F Building A5,
Huafeng Technology Park
Guan Tian, Bei Huan Road,
Shi Yan Street
BaoAn District, Shenzhen,
China 518132
Telephone:+86-755-8173-8281
Fax:+86-755-8173-8180
www.amphenolpcd.com.cn

OTHER AREAS

Amphenol ARGENTINA
Av. Callao 930 2do piso Oficina B «Plaza»
C1023 - AAP Buenos Aires - Argentina
Telephone:+54-11-4815-6886
Fax: +54-11-4814-5779

Amphenol AUSTRALIA PTY LIMITED
2 Fiveways Blvd, Keysborough
Melbourne, Victoria 3173 - Australia
Telephone:+61-3-8796-8888
Fax: +61-3-8796-8801

BAR TEC LTD
4 Hagavish St, PO Box 279
Kfar Saba 44102 - Israël
Telephone:+972-9-767-4097
Fax:+972-9-767-4324

Amphenol DO BRAZIL
Rua Diogo Moreira, 132, 20 andar, rooms 2001-2-3
CEP: 05423-010 Sao Paulo SP - Brazil
Telephone:+55-11-3815-1003
Fax: +55-11-3815-1629

Amphenol MEXICO
Prolongacion Reforma 61 - 6 B2
Col.Paseo de las Lomas - C.P.013130 - Mexico
Telephone:+52-55-5258-9984
Fax: +52-55-5081-6890

Amphenol RUSSIA
8 bldg., 2 Yaroslavskaja Street,
129164 Moscow - Russia
Telephone:+7-495-937-6341
Fax:+7-495-937-6319

Amphenol SOUTH AFRICA
30 Impala Road
2196 Chislehurst - Sandton - South Africa
Telephone:+27-11-783-9517
Fax: +27-11-783-9519

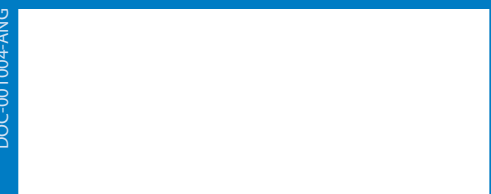
Amphenol TÜRKIYE & MIDDLE EAST
Maslak Mah. Bilim sok. No:5
Sun Plaza Kat:15
34398 Sisli Istanbul Turkiye
Telephone:+90-212-367-92-20
Fax:+90-212-367-92-21

Amphenol

The information given in this document are **as a guideline only**.
We reserve the right to **modify our products** in any way we deem necessary.
Any duplication is **prohibited**, unless approved in writing.
Design by **Amphenol** - February 2012
Gestion & Edition by **Amphenol**

Your local Contact:

DOC-001004-ANG



For more information, please visit our websites:

www.rjfield.com - www.usbfield.com - www.fwfield.com - www.rjswitch.com