

LCD- MODUL 4x20 - 3,75mm

Stand 1.2013

INKL. KONTROLLER SSD1803

**keine Montage
erforderlich**



*EA DIP203G-4NLED:
Abmessungen 68 x 27 mm*

EA DIP203J-4NLW

*EA DIP203B-4NLW:
Abmessungen 75 x 27 mm*

TECHNISCHE DATEN

- * KONTRASTREICHE LCD-SUPERTWIST ANZEIGE
- * KONTROLLER SSD1803 (NAHEZU 100% HD44780 KOMPATIBEL)
- * ANSCHLUSS AN 4- ODER 8-BIT DATENBUS
- * SERIELLES SPI-INTERFACE (SID, SOD, SCLK)
- * SPANNUNGSVERSORGUNG +2.7 V ~ +3.45 V / 1,5mA
- * LED-HINTERGRUNDBEL. GB/GN max. 150mA@+25°C
LED-BEL. BLAU-WEISS UND SCHWARZ-WEISS max. 45mA@+25°C
- * BETRIEBSTEMPERATURBEREICH -20..+70°C
- * AUTOMATISCHE TEMPERATURKOMPENSATION
- * WEITERE MODULE IM GLEICHEN GEHÄUSE, GLEICHES PINOUT:
 - DOTMATRIX 1x8, 2x16
 - GRAFIK 122x32
- * KEINE MONTAGE ERFORDERLICH: EINFACH NUR IN PCB EINLÖTEN
- * STECKBAR ÜBER BUCHSENLEISTEN EA B200-9 (2 STK. ERFORDERLICH)

BESTELLBEZEICHNUNG

LCD-MODUL 4x20 - 3,75mm LED-BELEUCHTUNG gb/gn
IN BLAU-WEISS TECHNIK
IN SCHWARZ-WEISS TECHNIK
9-POL. BUCHSENLEISTE, HÖHE 4,3mm (1 STÜCK)

EA DIP203G-4NLED
EA DIP203B-4NLW
EA DIP203J-4NLW
EA B200-9

**ELECTRONIC
ASSEMBLY**

making things easy

PINBELEGUNG

Pin	Symbo	Level	Funktion	Pin	Symbo	Level	Funktion
1	VSS	L	Stromversorgung 0V (GND)	10	D3	H / L	Display Data
2	VDD	H	Stromversorgung +3.3V	11	D4 (D0)	H / L	Display Data
3	VEE	-	Kontrastspannung, Eingang	12	D5 (D1)	H / L	Display Data
4	RS (CS)	H / L	Umschaltung Daten / Befehl	13	D6 (D2)	H / L	Display Data
5	R/W (SID)	H / L	H=Read, L=Write	14	D7 (D3)	H / L	Display Data, MSB
6	E (SCLK)	H	Enable (fallende Flanke)	15	-	-	frei (siehe EA DIP122-5N)
7	D0 (SOD)	H / L	Display Data, LSB	16	RES	L	Reset (interner Pullup 10k)
8	D1	H / L	Display Data	17	A	-	LED-Bel. + (RV erford.)
9	D2	H / L	Display Data	18	C	-	LED-Bel. -

BELEUCHTUNG

Der Betrieb der Hintergrundbeleuchtung erfordert eine Stromquelle oder einen externen Vorwiderstand zur Strombegrenzung. Die Flussspannung der gelb/grünen Beleuchtung liegt zwischen 3,9V und 4,2V und die der weißen Beleuchtung zwischen 3,0V und 3,6V. Bitte beachten Sie ein Derating für den Betrieb bei Temperaturen > +25°C!

Achtung: betreiben Sie die Beleuchtung nie direkt an 5V; das kann zur sofortigen Zerstörung führen!

BEFEHLSTABELLE (SSD1803, IE=HIGH)

Instruction	C ode										Description	Execute Time (270kHz)	
	RE Bit	RS	R/W	DB 7	DB 6	DB 5	DB 4	DB 3	DB 2	DB 1			DB 0
Clear Display	*	0	0	0	0	0	0	0	0	0	1	Clears all display and returns the cursor to the home position (Address 0).	1.53ms
Cursor At Home	0	0	0	0	0	0	0	0	0	1	*	Returns the Cursor to the home position (Address 0). Also returns the display being shifted to the original position. DD RAM contents remain unchanged.	1.53ms
Power Down Mode	1	0	0	0	0	0	0	0	0	1	PD	Set Power down mode bit. PD=0: powerdown mode disable PD=1: powerdown mode enable	39µs
Entry Mode Set	0	0	0	0	0	0	0	0	1	I/D	S	Cursor moving direction (I/D=0: dec; I/D=1: inc) shift enable bit (S=0: disable; S=1: enable shift)	39µs
	1	0	0	0	0	0	0	0	1	1	BI	Segment bidirectional function (BID=0: Seg1->Seg60; BID=1: Seg60->Seg1)	39µs
Display On/Off Control	0	0	0	0	0	0	0	1	D	C	B	D=0: display off; D=1: display on C=0: cursor off; C=1: cursor on B=0: blink off; B=1: blink on	39µs
extended Function Set	1	0	0	0	0	0	0	1	FW	BW	NW	FW=0: 5-dot font width; FW=1: 6-dot font width BW=0: normal cursor; BW=1: inverting cursor NW=0: 1- or 2-line (see N); NW=1: 4-line display	39µs
Cursor / Display Shift	0	0	0	0	0	0	1	S/C	R/L	*	*	Moves the Cursor or shifts the display S/C=0: cursor Shift; S/C=1: display shift R/L=0: shift to left; R/L=1: shift to right	39µs
Scroll Enable	1	0	0	0	0	0	1	H4	H3	H2	H1	Determine the line for horizontal scroll	39µs
Function Set	0	0	0	0	0	1	DL	N	RE	DH	REV	sets interface data length (DL=0:4-bit; DL=1:8-bit) number of display lines (N=0: 1-line; N=1: 2-line) extension register (RE= 0/1) scroll/shift (DH=0: dot scroll; DH=1: display shift) reverse bit (REV=0:normal; REV=1:inverse display)	39µs
	1	0	0	0	0	1	DL	N	RE	BE	LP	CG-/SEG-RAM blink (BE=0: disable; BE=1: enable) LP=0: normal mode; LP=1: low power mode	39µs
CG RAM Address Set	0	0	0	0	1	AC					Sets the CG RAM address. CG RAM data is sent and received after this setting.	39µs	
SEG RAM Address Set	1	0	0	0	1	*	*	AC				Sets the SEG RAM address. SEG RAM data is sent and received after this setting.	39µs
DD RAM Address Set	0	0	0	1	AC						Sets the DD RAM address. DD RAM data is sent and received after this setting.	39µs	
Set Scroll Quantity	1	0	0	1	*	SQ					Sets the quantity of horizontal dot scroll (DH=0)	39µs	
Busy Flag / Address Read	*	0	1	BF			AC					Reads Busy flag (BF) indicating internal operation is being performed and reads address counter contents.	-
Write Data	*	1	0	Write Data						Writes data into internal RAM (DD RAM / CG RAM / SEGRAM)			43µs
Read Data	*	1	1	Read Data						Reads data from internal RAM (DD RAM / CG RAM / SEGRAM)			43µs

INITIALISIERUNGSBEISPIEL FÜR DEN 8-BIT und SPI-MODUS												
Befehl	RS	R/W	DB7	DB6	DB5	DB4	DB3	DB2	DB1	DB0	Hex	Bemerkung
Function Set	0	0	0	0	1	1	0	1	0	0	\$34	3-Bit Datenlänge, extension Bit RE=1
ext. Function Set	0	0	0	0	0	0	1	0	0	1	\$09	4 Zeilen Modus
Function Set	0	0	0	0	1	1	0	0	0	0	\$30	3-Bit Datenlänge, extension Bit RE=0
Display ON/OFF	0	0	0	0	0	0	1	1	1	1	\$0F	Display ein, Cursor ein, Cursor blinken
Clear Display	0	0	0	0	0	0	0	0	0	1	\$01	Display löschen, Cursor auf 1. Spalte von 1. Zeile
Entry Mode Set	0	0	0	0	0	0	0	1	1	0	\$06	Cursor Auto-Increment

Adressierung:

- 1. Zeile \$00..\$13
- 2. Zeile \$20..\$33
- 3. Zeile \$40..\$53
- 4. Zeile \$60..\$73

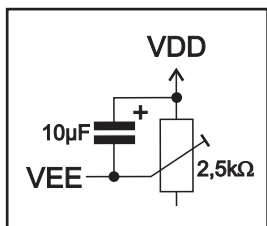
ZEICHENSATZ

Neben abgebildeter Zeichensatz ist bereits integriert. Zusätzlich können 8 eigene Zeichen frei definiert werden.

KONTRASTEINSTELLUNG

Die Kontrastspannung wird an Pin 3 (VEE) eingespeist, dies kann über ein Poti erfolgen, der Kondensator verbessert das Anlaufverhalten der internen Pumpe.

Achtung: Im Unterschied zu den meisten Dotmatrix-LCD's erfolgt die Regelung gegen VDD !



Alle Versionen besitzen eine eingebaute Temperaturkompensation; ein Nachstellen des Kontrastes ist nicht mehr erforderlich.

Upper 4bit / Lower 4bit	LLLL	LLLH	LLHL	LLHH	LHLL	LHLH	LHHL	LHHH	HLLL	HLLH	HLHL	HLLH	HHLH	HHLH	HHLH	HHLH	HHLH
LLLL (1)	CG RAM (1)	[Grid]	[Grid]	[Grid]	[Grid]	[Grid]	[Grid]	[Grid]	[Grid]	[Grid]	[Grid]	[Grid]	[Grid]	[Grid]	[Grid]	[Grid]	[Grid]
LLLL (2)	[Grid]	[Grid]	[Grid]	[Grid]	[Grid]	[Grid]	[Grid]	[Grid]	[Grid]	[Grid]	[Grid]	[Grid]	[Grid]	[Grid]	[Grid]	[Grid]	[Grid]
LLLL (3)	[Grid]	[Grid]	[Grid]	[Grid]	[Grid]	[Grid]	[Grid]	[Grid]	[Grid]	[Grid]	[Grid]	[Grid]	[Grid]	[Grid]	[Grid]	[Grid]	[Grid]
LLLL (4)	[Grid]	[Grid]	[Grid]	[Grid]	[Grid]	[Grid]	[Grid]	[Grid]	[Grid]	[Grid]	[Grid]	[Grid]	[Grid]	[Grid]	[Grid]	[Grid]	[Grid]
LLLL (5)	[Grid]	[Grid]	[Grid]	[Grid]	[Grid]	[Grid]	[Grid]	[Grid]	[Grid]	[Grid]	[Grid]	[Grid]	[Grid]	[Grid]	[Grid]	[Grid]	[Grid]
LLLL (6)	[Grid]	[Grid]	[Grid]	[Grid]	[Grid]	[Grid]	[Grid]	[Grid]	[Grid]	[Grid]	[Grid]	[Grid]	[Grid]	[Grid]	[Grid]	[Grid]	[Grid]
LLLL (7)	[Grid]	[Grid]	[Grid]	[Grid]	[Grid]	[Grid]	[Grid]	[Grid]	[Grid]	[Grid]	[Grid]	[Grid]	[Grid]	[Grid]	[Grid]	[Grid]	[Grid]
LLLL (8)	[Grid]	[Grid]	[Grid]	[Grid]	[Grid]	[Grid]	[Grid]	[Grid]	[Grid]	[Grid]	[Grid]	[Grid]	[Grid]	[Grid]	[Grid]	[Grid]	[Grid]
LLLL (9)	[Grid]	[Grid]	[Grid]	[Grid]	[Grid]	[Grid]	[Grid]	[Grid]	[Grid]	[Grid]	[Grid]	[Grid]	[Grid]	[Grid]	[Grid]	[Grid]	[Grid]
LLLL (10)	[Grid]	[Grid]	[Grid]	[Grid]	[Grid]	[Grid]	[Grid]	[Grid]	[Grid]	[Grid]	[Grid]	[Grid]	[Grid]	[Grid]	[Grid]	[Grid]	[Grid]
LLLL (11)	[Grid]	[Grid]	[Grid]	[Grid]	[Grid]	[Grid]	[Grid]	[Grid]	[Grid]	[Grid]	[Grid]	[Grid]	[Grid]	[Grid]	[Grid]	[Grid]	[Grid]
LLLL (12)	[Grid]	[Grid]	[Grid]	[Grid]	[Grid]	[Grid]	[Grid]	[Grid]	[Grid]	[Grid]	[Grid]	[Grid]	[Grid]	[Grid]	[Grid]	[Grid]	[Grid]
LLLL (13)	[Grid]	[Grid]	[Grid]	[Grid]	[Grid]	[Grid]	[Grid]	[Grid]	[Grid]	[Grid]	[Grid]	[Grid]	[Grid]	[Grid]	[Grid]	[Grid]	[Grid]
LLLL (14)	[Grid]	[Grid]	[Grid]	[Grid]	[Grid]	[Grid]	[Grid]	[Grid]	[Grid]	[Grid]	[Grid]	[Grid]	[Grid]	[Grid]	[Grid]	[Grid]	[Grid]
LLLL (15)	[Grid]	[Grid]	[Grid]	[Grid]	[Grid]	[Grid]	[Grid]	[Grid]	[Grid]	[Grid]	[Grid]	[Grid]	[Grid]	[Grid]	[Grid]	[Grid]	[Grid]
LLLL (16)	[Grid]	[Grid]	[Grid]	[Grid]	[Grid]	[Grid]	[Grid]	[Grid]	[Grid]	[Grid]	[Grid]	[Grid]	[Grid]	[Grid]	[Grid]	[Grid]	[Grid]
LLLL (17)	[Grid]	[Grid]	[Grid]	[Grid]	[Grid]	[Grid]	[Grid]	[Grid]	[Grid]	[Grid]	[Grid]	[Grid]	[Grid]	[Grid]	[Grid]	[Grid]	[Grid]
LLLL (18)	[Grid]	[Grid]	[Grid]	[Grid]	[Grid]	[Grid]	[Grid]	[Grid]	[Grid]	[Grid]	[Grid]	[Grid]	[Grid]	[Grid]	[Grid]	[Grid]	[Grid]
LLLL (19)	[Grid]	[Grid]	[Grid]	[Grid]	[Grid]	[Grid]	[Grid]	[Grid]	[Grid]	[Grid]	[Grid]	[Grid]	[Grid]	[Grid]	[Grid]	[Grid]	[Grid]
LLLL (20)	[Grid]	[Grid]	[Grid]	[Grid]	[Grid]	[Grid]	[Grid]	[Grid]	[Grid]	[Grid]	[Grid]	[Grid]	[Grid]	[Grid]	[Grid]	[Grid]	[Grid]
LLLL (21)	[Grid]	[Grid]	[Grid]	[Grid]	[Grid]	[Grid]	[Grid]	[Grid]	[Grid]	[Grid]	[Grid]	[Grid]	[Grid]	[Grid]	[Grid]	[Grid]	[Grid]
LLLL (22)	[Grid]	[Grid]	[Grid]	[Grid]	[Grid]	[Grid]	[Grid]	[Grid]	[Grid]	[Grid]	[Grid]	[Grid]	[Grid]	[Grid]	[Grid]	[Grid]	[Grid]
LLLL (23)	[Grid]	[Grid]	[Grid]	[Grid]	[Grid]	[Grid]	[Grid]	[Grid]	[Grid]	[Grid]	[Grid]	[Grid]	[Grid]	[Grid]	[Grid]	[Grid]	[Grid]
LLLL (24)	[Grid]	[Grid]	[Grid]	[Grid]	[Grid]	[Grid]	[Grid]	[Grid]	[Grid]	[Grid]	[Grid]	[Grid]	[Grid]	[Grid]	[Grid]	[Grid]	[Grid]
LLLL (25)	[Grid]	[Grid]	[Grid]	[Grid]	[Grid]	[Grid]	[Grid]	[Grid]	[Grid]	[Grid]	[Grid]	[Grid]	[Grid]	[Grid]	[Grid]	[Grid]	[Grid]
LLLL (26)	[Grid]	[Grid]	[Grid]	[Grid]	[Grid]	[Grid]	[Grid]	[Grid]	[Grid]	[Grid]	[Grid]	[Grid]	[Grid]	[Grid]	[Grid]	[Grid]	[Grid]
LLLL (27)	[Grid]	[Grid]	[Grid]	[Grid]	[Grid]	[Grid]	[Grid]	[Grid]	[Grid]	[Grid]	[Grid]	[Grid]	[Grid]	[Grid]	[Grid]	[Grid]	[Grid]
LLLL (28)	[Grid]	[Grid]	[Grid]	[Grid]	[Grid]	[Grid]	[Grid]	[Grid]	[Grid]	[Grid]	[Grid]	[Grid]	[Grid]	[Grid]	[Grid]	[Grid]	[Grid]
LLLL (29)	[Grid]	[Grid]	[Grid]	[Grid]	[Grid]	[Grid]	[Grid]	[Grid]	[Grid]	[Grid]	[Grid]	[Grid]	[Grid]	[Grid]	[Grid]	[Grid]	[Grid]
LLLL (30)	[Grid]	[Grid]	[Grid]	[Grid]	[Grid]	[Grid]	[Grid]	[Grid]	[Grid]	[Grid]	[Grid]	[Grid]	[Grid]	[Grid]	[Grid]	[Grid]	[Grid]
LLLL (31)	[Grid]	[Grid]	[Grid]	[Grid]	[Grid]	[Grid]	[Grid]	[Grid]	[Grid]	[Grid]	[Grid]	[Grid]	[Grid]	[Grid]	[Grid]	[Grid]	[Grid]

PROGRAMMIERUNG VON SELBSTDEFINIERTEN ZEICHEN

Bei allen hier angebotenen Dotmatrixdisplays (Text) können zusätzlich zu den 240 im ROM fest einprogrammierten Zeichen bis zu 8 weitere frei definiert werden (ASCII Codes 0..7).

- 1.) Mit dem Kommando "CG RAM Address Set" wird der ASCII Code (Bit 3,4,5) und die entsprechende Pixelzeile (Bit 0,1,2) des Zeichens angewählt. Im Beispiel wird ein Zeichen mit dem Code \$00 definiert.
- 2.) Mit dem Befehl "Data Write" wird nun Pixelzeile für Pixelzeile das Zeichen in das CG RAM geschrieben. Ein Zeichen benötigt 8 Schreiboperationen, wobei die 8. Zeile der Cursorzeile entspricht.
- 3.) Das neu definierte Zeichen wird genauso behandelt wie ein "normales" ASCII Zeichen (Verwendung: "DD RAM Address Set", "Data Write").

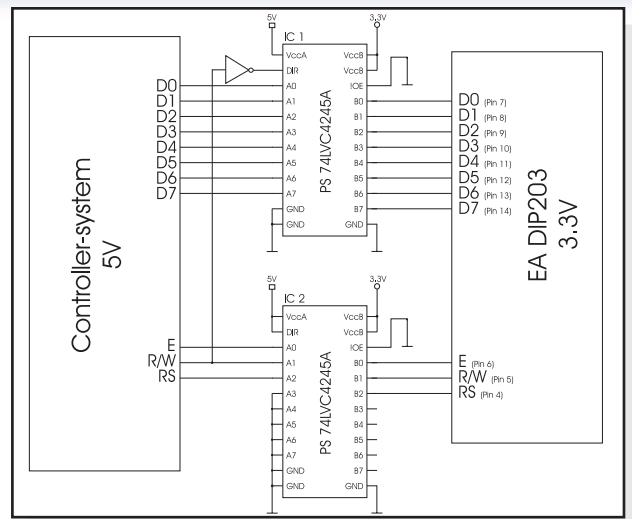
Adresse im CG RAM setzen				Zeichen	Daten des Zeichens									
Adresse		Hex	Bit		Hex	Daten des Zeichens								
7	6	5				4	3	2	1	0	Hex			
0	1	0	0	0	X	X	X	X	0	0	0	0	0	\$04
									0	0	1	0	0	\$04
									0	1	0	0	0	\$04
									0	1	1	0	0	\$04
									1	0	0	0	0	\$04
									1	0	1	0	0	\$04
									1	1	0	0	0	\$04
									1	1	1	0	0	\$04
									0	1	1	0	\$0E	
									0	0	0	0	\$00	

ANSTEUERUNG MIT 5V-SYSTEMEN

Die Versorgung des Displays erfolgt zwingend mit 3,3V. Soll eine 5V-Ansteuerung genutzt werden, müssen alle Pegel angepasst werden. Es kann z.B. ein bidirektionaler Levelshifter (z.B. PS 74LVC4245A) wie in dem nebenstehenden Applikationsbeispiel verwendet werden.

KOMPATIBILITÄT MIT EA DIP204-4

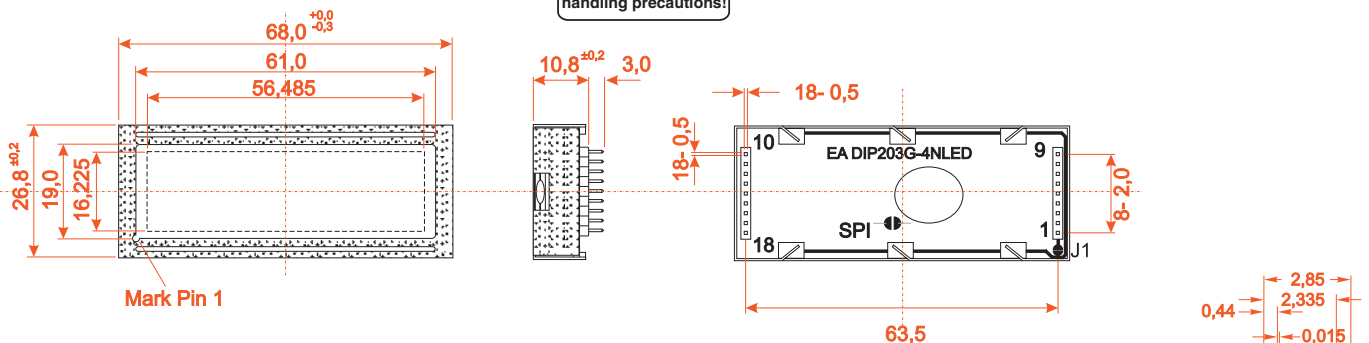
Die Displays der EA DIP203- und EA DIP204-Familie sind im 3,3V Betrieb elektrisch und mechanisch kompatibel. Lediglich eine 5V Betriebsspannung ist für das neue EA DIP203 nicht mehr zulässig.



EA DIP203G-4NLED

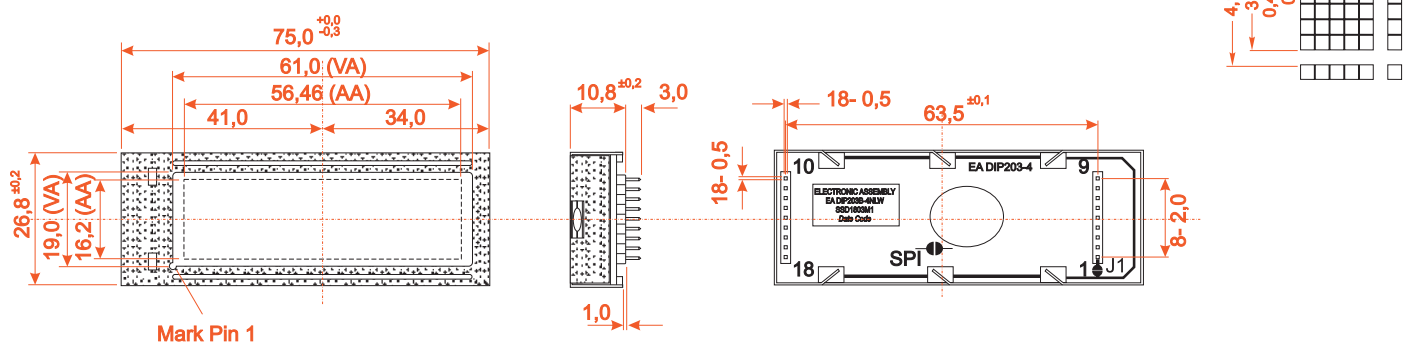


Hinweis:
LC-Displays sind generell nicht geeignet für Wellen- oder Reflowlötung. Temperaturen über 90°C können bleibende Schäden hinterlassen.

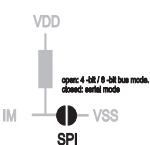


EA DIP203B-4NLW und EA DIP203J-4NLW

alle Maße in mm



SERIELLER MODUS



Das Modul kann auch mit synchron seriellen Daten beschrieben werden. Dazu muss die Lötbrücke **SPI** geschlossen werden. Die Spezifikation zur seriellen Datenübertragung finden Sie im Controllerdatenblatt SSD1803 von Solomon Systech (z.B. http://www.lcd-module.de/fileadmin/eng/pdf/zubehoer/ssd1803_2_0.pdf)

ELECTRONIC ASSEMBLY

making things easy