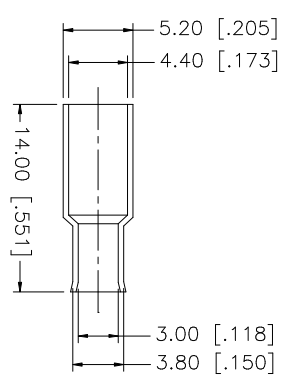
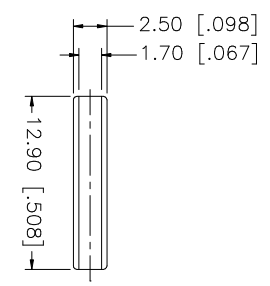
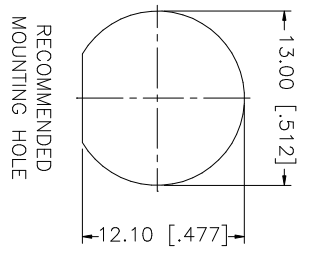
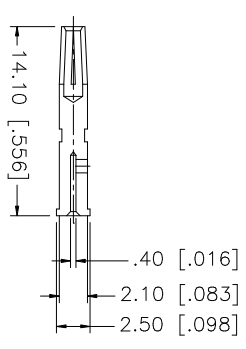
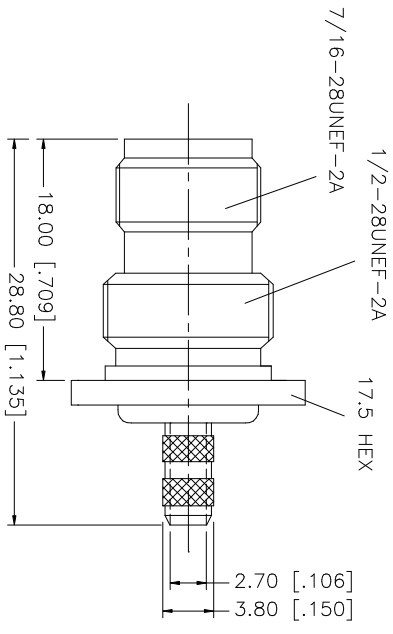
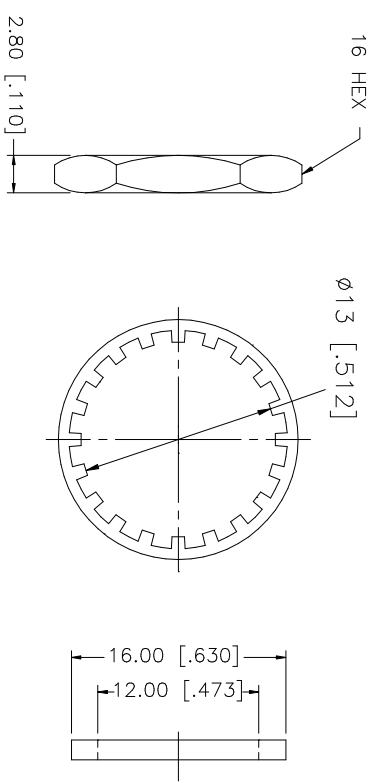
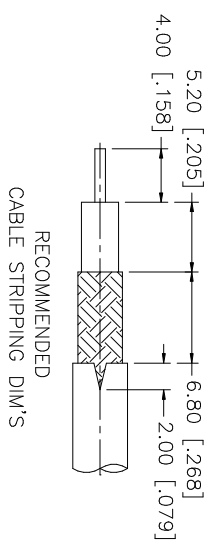


REV.	DATE	DESCRIPTION
A	06/01/06	UPDATE DRAWING FORMAT



DESCRIPTION	MATERIAL	FINISH	QTY	DO NOT SCALE DRAWING	APPROVALS	DATE	PART DESCRIPTION	PART NO.	DWG. NO.	REV.	SIZE	SCALE
1	INSULATOR BODY	NICKEL	1	1.180 - 4.724 = ± 0.020"			<b>Amphenol Connex</b> TNC BULKHEAD CRIMP JACK (RG-179/U, 187/U CABLE)	122193	122193.DWG	A	A	NA
2	INSULATOR	NATURAL	1	.315 - 1.180 = ± 0.015"								
3	CONTACT PIN	PHOS. BRONZE	1	.020 - .315 = ± 0.007"								
4	GASKET	SILICONE	1	UNLESS OTHERWISE SPECIFIED DIMENSIONS ARE IN MILLIMETERS DIMENSIONS IN [ ] ARE IN INCHES AND FOR CUSTOMER REFERENCE ONLY. TOLERANCES FOR MILLIMETERS ARE: 0.5 - 8mm ± 0.20mm 8 - 30mm ± 0.40mm 30 - 120mm ± 0.50mm								
5	LOCK WASHER	BRASS	1		CHECKED							
6	HEX NUT	BRASS	1		ISSUED							
7	INSULATOR	DELRIN	1		DRAWN	06/01/06						
8	FERRULE	COPPER	1									
DESCRIPTION					CAD FILE		C:/122/122193.DWG					