

Article No. : 1FK2106-6AF11-1MA0



Figure similar

Client order no. :
Order no. :
Offer no. :
Remarks :

Item no. :
Consignment no. :
Project :

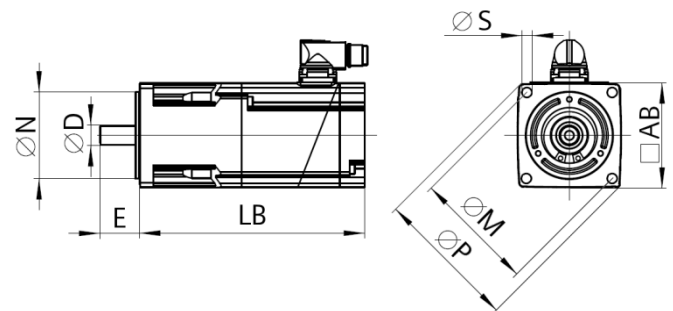
| Basic motor data | |
|-------------------------|---|
| Motor type | Permanent-magnet synchronous motor, Natural cooling, IP65 |
| Motor type | High Dynamic |
| Static torque | 16.00 Nm |
| Static current | 14.3 A |
| Maximum torque | 45.50 Nm |
| Maximum current | 49.0 A |
| Maximum speed | 6,000 rpm |
| Rotor moment of inertia | 10.4000 kgcm ² |
| Weight | 13.4 kg |

| Rated data | |
|-------------------------|-----------|
| SINAMICS S210, 3AC 400V | |
| Rated speed | 3,000 rpm |
| Rated torque | 10.60 Nm |
| Rated current | 9.7 A |
| Rated power | 3.30 kW |

| Encoder system | |
|----------------|---|
| Encoder system | Encoder AM22DQC: Absolute encoder 22 bit + 12 bit multiturn |

| Motor connection | |
|------------------|--------------|
| Connection type | OCC for S210 |
| Connector size | M23 |

| Mechanical data | |
|-------------------------------|--|
| Design acc. to Code I | IM B5 (IM V1, IM V3) |
| Vibration severity grade | Grade A |
| Shaft height | 63 |
| Flange size (AB) | 125 mm |
| Centering ring (N) | 110 mm |
| Hole circle (M) | 130 mm |
| Screw-on hole (S) | 9.0 mm |
| Overall length (LB) | 283 mm |
| Diameter of shaft (D) | 24 mm |
| Length of shaft (E) | 50 mm |
| Length of flange diagonal (P) | 158 mm |
| Shaft end | Fitted key |
| Color of the housing | Standard (Anthracite, similar to RAL 7016) |



| Holding brake | |
|--|-----------|
| Holding torque | 16.00 Nm |
| Average dynamic torque | 9.00 Nm |
| Opening time | 70 ms |
| Closing time | 35 ms |
| Maximum single switching energy ¹⁾ | 1,065 J |
| Service life, operating energy | 774,000 J |
| Holding current ²⁾ | 0.35 A |
| Break-induced current for 500 ms ²⁾ | 1.1 A |

¹⁾Up to three consecutive emergency stops and up to 25% of all emergency stops as a Wmax high energy stop possible.

²⁾Typical value for 20°C ambient temperature. At -15°C the break-induced currents can be increased by up to 30%.