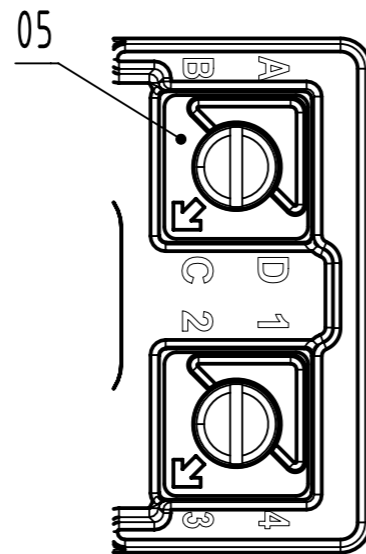
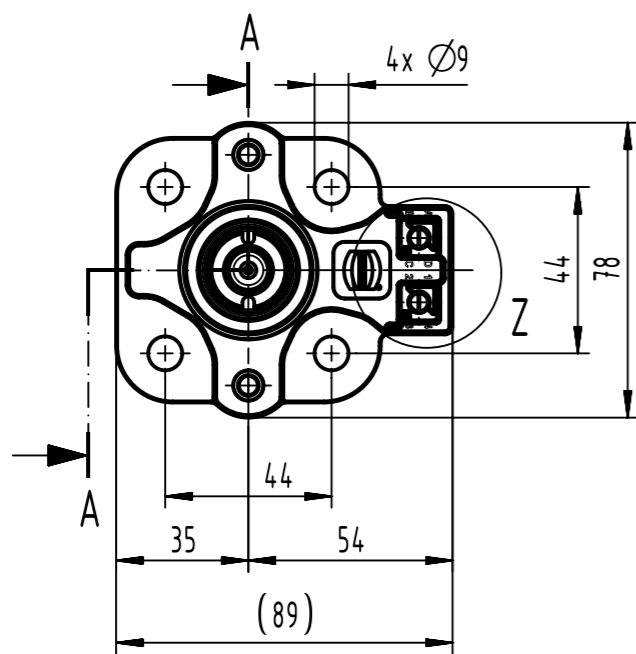


Z (2:1)



tolerancing ISO 8015  
 assembly instruction enclosed  
 parts in scope of delivery are not assembled  
 and without M8-hexagon nuts

[DS1]= A

5	09400029901	Han HPR HPTC coding-element	2
4	09400020492_01	Han HPR HPTC 400 DS-subpackage-B	1
3	09400020491_01	Han HPR HPTC 400 DS-subpackage-A	1
2	09400020420_10	Han HPR HPTC 400 DS-male-contact	1
1	09400020400_10	Han HPR HPTC 400 DS-Housing	1
item	partnumber	partname	QTY

	All rights reserved	Created by MEYERLE	Inspected by 00103912	Standardisation	Date 2021-10-01	State Final Release
	Department EL PD	Title Han HPR HPTC 400 DS		Doc-Key / ECM-Nr. 100883172/UGD/002/D 500000203536		
HARTING D-32339 Espelkamp		Type TB	Number 10 40 271 1006		Rev. D	Page 1/1