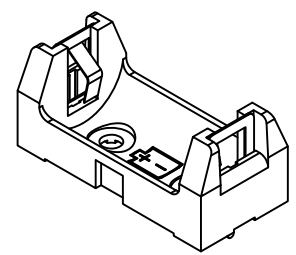
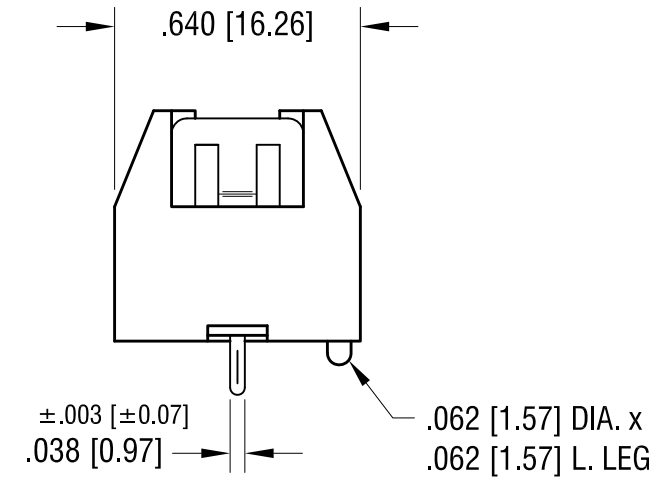
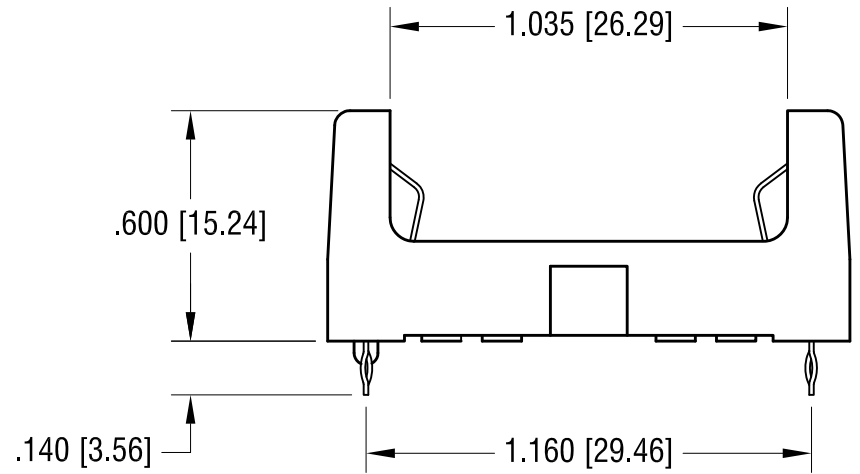
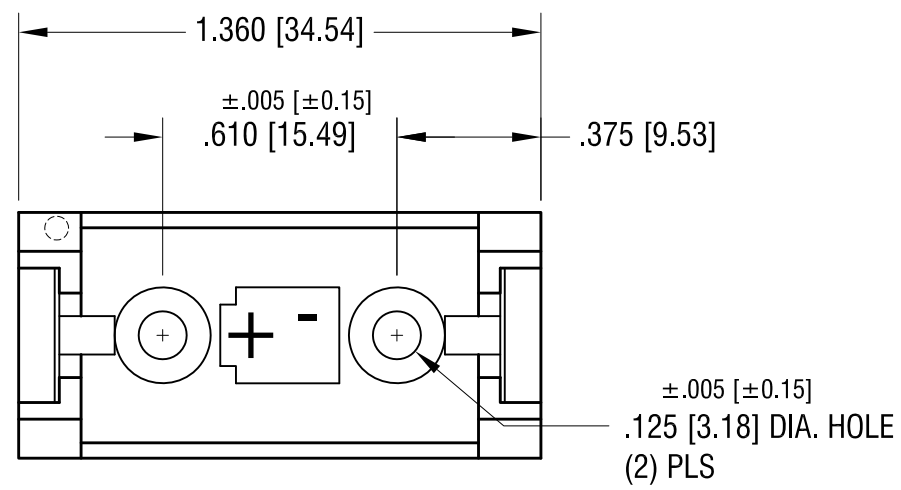
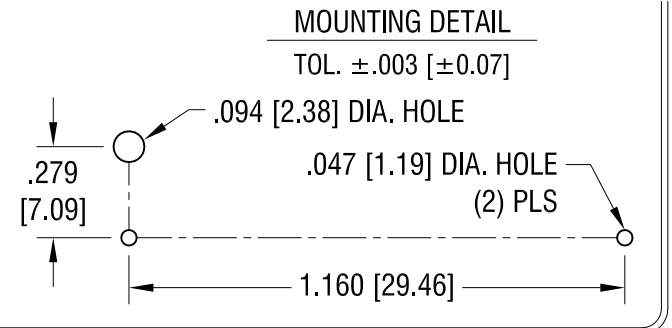


DATE	DESCRIPTION	REV.
9.30.96	REDRAWN	B
6.25.10	CHANGE AS PER ECN 10-048	C



THIS DOCUMENT IS THE PROPERTY OF KEYSTONE ELECTRONICS CORP. AND SHALL NOT BE REPRODUCED, DISTRIBUTED OR USED AS A BASIS FOR MANUFACTURE WITHOUT PRIOR WRITTEN PERMISSION FROM KEYSTONE ELECTRONICS CORP.

- NOTE:**
1. BASE:  
MAT'L: BLACK VALOX, UL 94V-0.
  2. CONTACT:  
MAT'L: .012 [0.30] THK STAINLESS STEEL.  
FINISH: TIN NICKEL PLATE.

<b>KEYSTONE ELECTRONICS CORP.</b>			
www.keyelco.com • ASTORIA, N.Y. 11105-2017 • Tel (718) 956-8900			
PART NAME PC BATTERY HOLDER, 1/2 AA			
MATERIAL AS NOTED			
FINISH AS NOTED		DRN BY BOONE	DATE 9.30.96
		APPD LN	SCALE 2X
TOLERANCES	INCH [MM]	CODE	DWG NO.
DECIMAL	$\pm .010$ [ $\pm 0.25$ ]	C	108
ANGULAR	$\pm 1^\circ$		