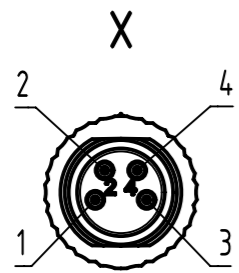


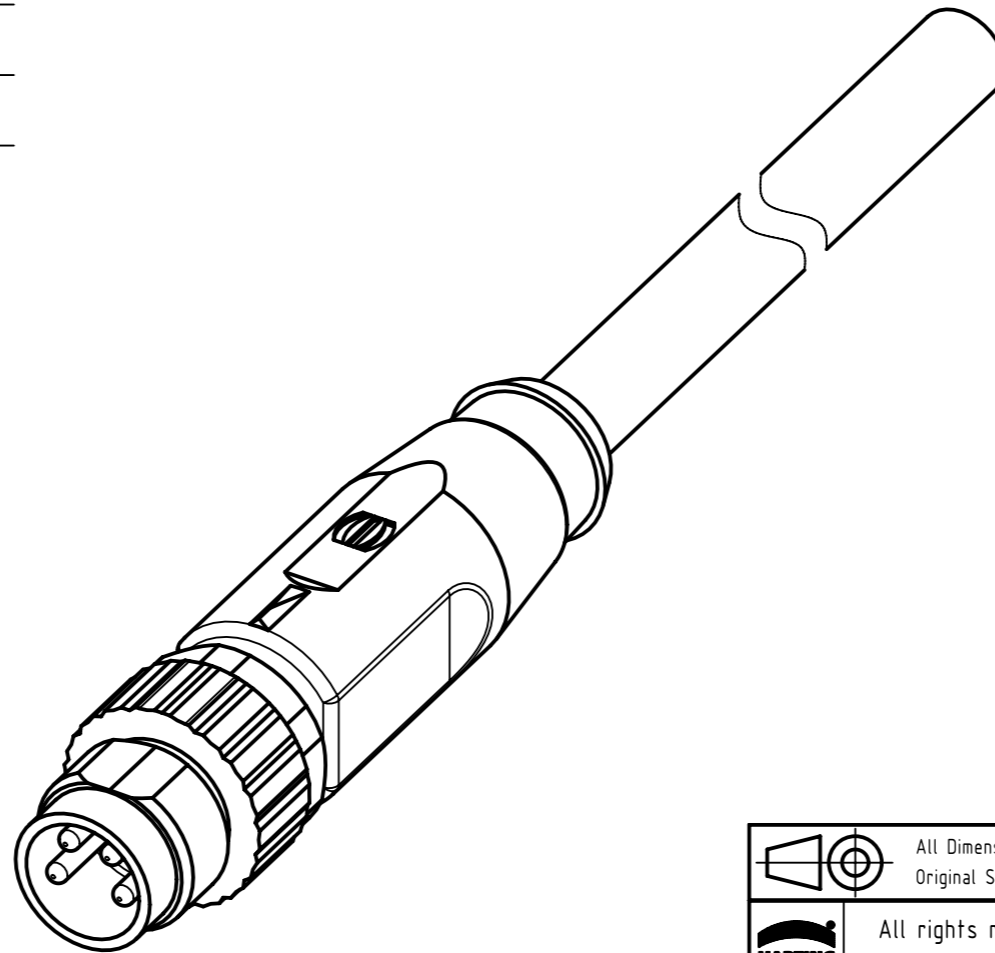
M8 4-poles, male straight connector

Loading-Plan:



- 1 brown
- 2 white
- 3 blue
- 4 black

For Information Only
won't be replaced when changed



- Protection level: IP67
- Temperature range: -25°C ... +80°C

length in "1m" step	40	XXX=400
	39	XXX=390
	.	.
	12	XXX=120
	11	XXX=110
length in "0,1m" step	10	XXX=100
	9,9	XXX=099
	9,8	XXX=098
	.	.
	0,4	XXX=004
	0,3	XXX=003
	0,2	XXX=002
0,1	XXX=001	
Step	a [m]	XXX

4,0 to 40	+1%
0,1 to 3,9	+0,04
a [m]	Tolerance

Part no.	213480004XXXXX
Type of cable	XX
PVC grey, 4x0,25mm ²	XX=81

	All rights reserved		Created by		Inspected by		Standardisation		Date		State		
	Department EC PD - RO		TAMAS						2014-05-20		Checked Out		
HARTING Electronics GmbH		Title M8 Cable Assembly						Doc-Key / ECM-Nr.		Rev.		Page	
D-32339 Espelkamp		Type TB		Number 213480004XXXXX				100577961/UGD/009/A		A		1/1	