

5

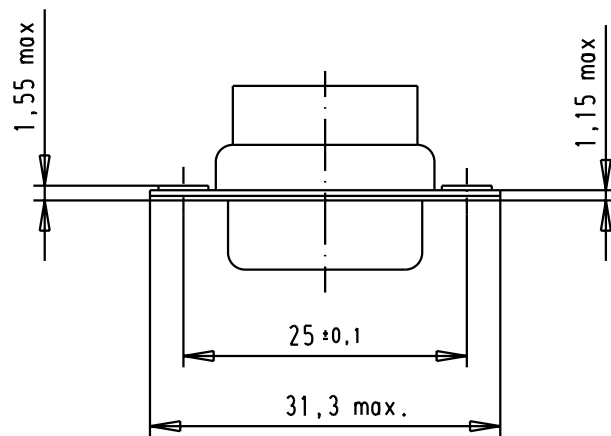
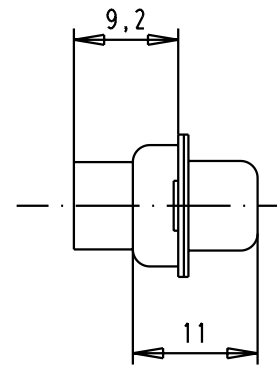
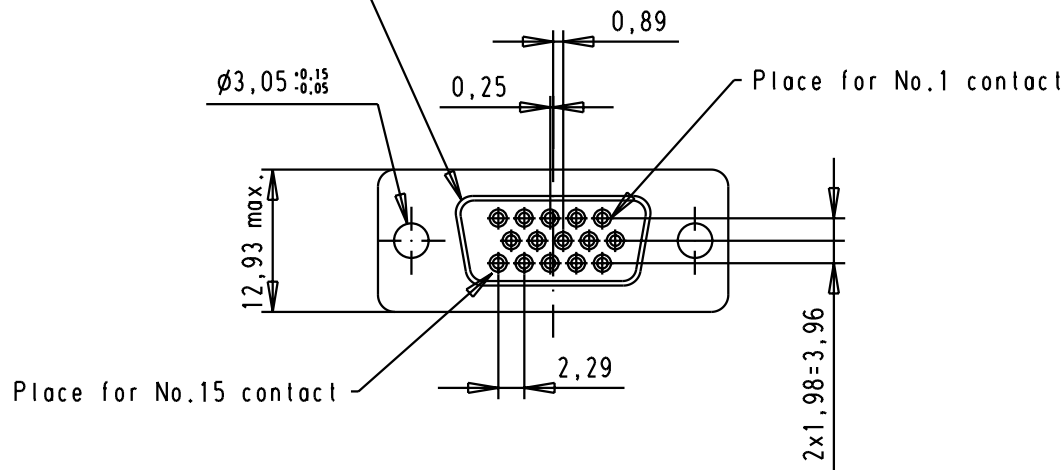
4

3

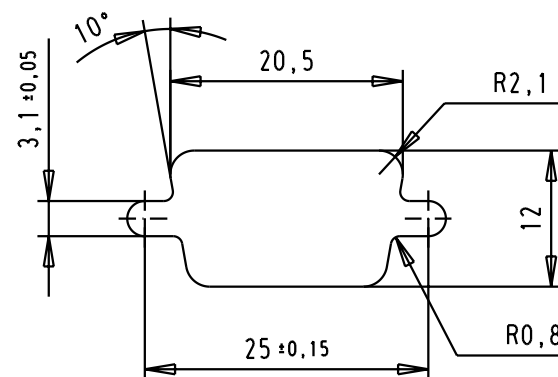
2



1

Mating face according to MIL-C-24308 / DIN 41 652 / CECC 75301-802



Panel cut out



				Det.	Name	 All Dim. in mm Orig. Size DIN A 4	D-Sub, female, high density, 15 poles, for crimp contacts	Maßstab/ Scale 1.5:1
			Detail.	16-SEP-02	CV			
			Insp.					
			Stand.					
31064	16-SEP-02	CV	HARTING EURL F-95972 Paris				TB 09561004701	Blatt/ Page 1 /
Mod.	Det.	Name						