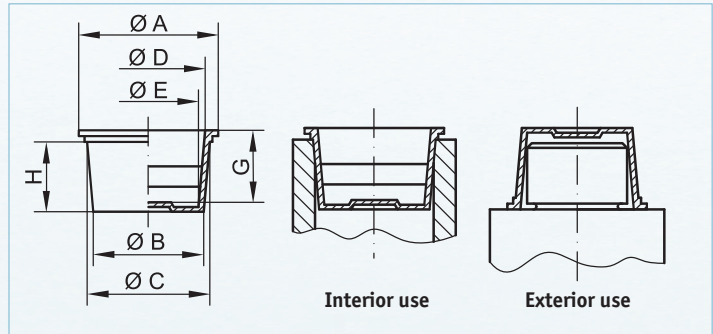
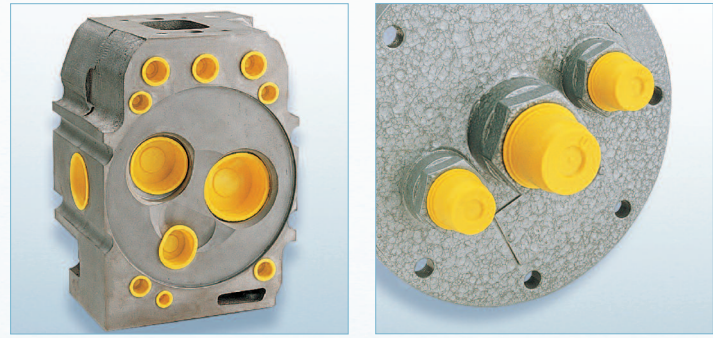


GPN 610



Universal Protection GPN 610

44

These protective elements are suitable for use in diverse applications, whether as a plug for bores or as a cap for external threads. Tolerances are accommodated perfectly due to the tapered design.

Material: polyethylene (PE-LD)

Colour: yellow

Dimensions in mm.

Additional dimensions, heat-resistant types and custom versions available upon enquiry, please refer to "Materials and Colours", page 10.

Dimensions							Order No.
A	B	Interior use		Exterior use		G	
10.0	4.4	6.2	10.0	4.6	2.8	10.8	610 U 1
11.0	6.0	7.8	10.0	6.2	4.4	10.8	610 U 2
13.0	7.6	9.4	10.0	7.8	6.0	10.0	610 U 3
14.0	8.4	10.2	10.0	8.6	6.8	10.0	610 U 4
14.0	9.2	11.0	10.0	9.3	7.5	10.0	610 U 5
15.0	9.9	11.7	10.0	10.1	8.3	10.0	610 U 6
16.0	10.6	12.4	10.0	10.8	9.0	10.0	610 U 7
17.0	11.3	13.1	10.0	11.2	9.5	10.0	610 U 8
18.0	12.0	14.1	12.0	12.5	10.4	12.0	610 U 9
18.0	12.5	14.6	12.0	13.3	11.2	12.0	610 U 10
19.0	13.5	15.6	12.0	14.0	11.9	12.0	610 U 11
19.0	14.0	16.1	12.0	14.5	12.4	12.0	610 U 12
21.0	15.0	17.0	13.0	15.5	13.2	13.0	610 U 13
22.0	16.3	18.6	13.0	17.0	14.7	13.0	610 U 14
22.0	17.3	19.4	13.0	17.6	15.5	13.0	610 U 15
24.0	17.5	20.1	15.0	18.5	15.9	15.0	610 U 16
25.0	18.4	21.0	15.0	19.4	16.8	15.0	610 U 17
25.0	19.0	21.6	15.0	20.0	17.4	15.0	610 U 18
27.0	20.4	23.2	16.0	21.6	18.8	16.0	610 U 19
28.0	20.7	23.5	16.0	21.9	19.1	16.0	610 U 20
29.0	22.0	24.8	16.0	23.0	20.4	16.0	610 U 21
30.0	23.2	26.3	18.0	24.4	21.2	18.0	610 U 22
32.0	24.5	27.8	19.0	26.2	22.9	19.0	610 U 23
33.0	25.2	29.2	19.0	27.7	23.7	19.0	610 U 24
33.0	26.4	30.4	19.0	28.9	24.9	19.0	610 U 241
35.0	27.8	31.1	19.0	29.5	26.2	19.0	610 U 25
37.0	29.8	32.6	16.0	31.1	28.3	16.0	610 U 26
38.0	31.4	35.1	21.0	33.4	29.7	21.0	610 U 27
41.0	33.3	37.1	22.0	35.5	31.7	22.0	610 U 28
45.0	36.7	40.5	22.0	39.0	35.2	22.0	610 U 29
45.0	38.4	40.7	13.0	39.2	36.9	13.0	610 U 291
48.0	38.2	43.0	23.0	41.4	36.6	23.0	610 U 30
48.0	39.6	42.9	19.0	41.3	38.0	19.0	610 U 31
49.0	41.4	44.7	19.0	43.0	39.7	19.0	610 U 32
51.0	44.4	47.7	19.0	46.1	42.8	19.0	610 U 33
54.0	45.2	49.6	25.0	48.0	43.6	25.0	610 U 34
55.0	46.6	51.0	25.0	48.7	45.2	25.0	610 U 35
62.0	52.5	56.9	25.0	55.2	50.8	25.0	610 U 36
65.0	54.0	59.3	25.0	57.8	52.5	25.0	610 U 37
65.0	54.2	58.6	25.0	57.0	52.6	25.0	610 U 38
67.0	58.4	62.8	25.0	61.1	56.7	25.0	610 U 39
71.0	60.7	67.1	29.0	64.3	57.5	28.5	610 U 40
75.0	67.1	70.4	19.0	68.7	65.4	19.0	610 U 41
83.0	72.4	75.7	19.0	74.1	70.8	19.0	610 U 42
92.0	84.5	87.8	19.0	85.7	82.4	19.0	610 U 43

► Application guide data for interior use see page p. 45; for exterior use see page 46

Suitable for use as plug (interior use)					Pipe thread	Order No.
Regular thread	Metric thread			Fine thread		
M 6	M 6 x 0.5	M 6 x 0.75				610 U 1
M 8	M 8 x 1					610 U 2
M 10	M 9.5 x 1	M 10 x 1.25			1/8	610 U 3
M 11	M 10.5 x 1					610 U 4
M 12	M 11 x 1	M 12 x 1.5				610 U 5
	M 12 x 1	M 12 x 1.25				610 U 6
M 14	M 12.5 x 1				1/4	610 U 7
	M 13.5 x 1	M 14 x 1.5				610 U 8
	M 14 x 1	M 15 x 1.5				610 U 9
M 16	M 14.5 x 1	M 15 x 1				610 U 10
	M 16 x 1	M 16 x 1.5	M 17 x 2			610 U 11
M 18		M 17 x 1.5			3/8	610 U 12
	M 17 x 1	M 18 x 1.5				610 U 13
M 20		M 19 x 1.5	M 20 x 2			610 U 14
		M 20 x 1.5			1/2	610 U 15
M 22	M 20 x 1		M 21 x 2		1/2	610 U 16
	M 21 x 1		M 22 x 2			610 U 17
M 24		M 22 x 1.5			5/8	610 U 18
	M 23 x 1		M 24 x 2			610 U 19
		M 24 x 1.5				610 U 20
M 27		M 25 x 1.5	M 26 x 2			610 U 21
	M 26 x 1		M 27 x 2	M 28 x 3	3/4	610 U 22
M 30	M 27 x 1	M 28 x 1.5				610 U 23
	M 29 x 1	M 29 x 1.5	M 30 x 2		7/8	610 U 24
M 33	M 30 x 1	M 30 x 1.5		M 32 x 3		610 U 241
M 33	M 31 x 1	M 31 x 1.5	M 32 x 2		1	610 U 25
M 36	M 32 x 1	M 33 x 1.5				610 U 26
	M 34 x 1	M 35 x 1.5	M 36 x 2			610 U 27
M 39	M 36 x 1	M 37 x 1.5		M 39 x 3	1 1/8	610 U 28
	M 40 x 1	M 40 x 1.5		M 42 x 3	1 1/4	610 U 29
			M 42 x 2			610 U 291
M 45	M 42 x 1	M 42 x 1.5		M 45 x 4		610 U 30
	M 42 x 1			M 45 x 3	1 3/8	610 U 31
	M 44 x 1	M 45 x 1.5		M 48 x 4		610 U 32
M 52		M 48 x 1.5	M 48 x 2	M 50 x 3		610 U 33
		M 50 x 1.5	M 50 x 2	M 52 x 4		610 U 34
M 56	M 50 x 1	M 50 x 1.5		M 52 x 3		610 U 35
M 60	M 56 x 1	M 56 x 1.5		M 58 x 3		610 U 36
M 64	M 58 x 1	M 58 x 1.5		M 60 x 3	2	610 U 37
M 64	M 58 x 1	M 58 x 1.5		M 60 x 3	2	610 U 38
M 68	M 62 x 1	M 62 x 1.5		M 64 x 3		610 U 39
	M 65 x 1	M 65 x 1.5		M 68 x 4		610 U 40
	M 70 x 1	M 70 x 1.5		M 72 x 3		610 U 41
	M 75 x 1	M 76 x 1.5				610 U 42
				M 90 x 3		610 U 43

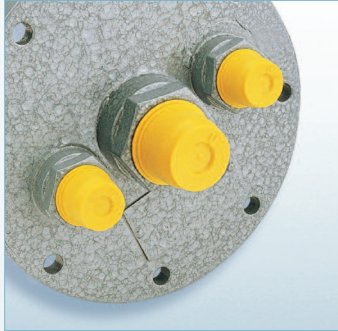
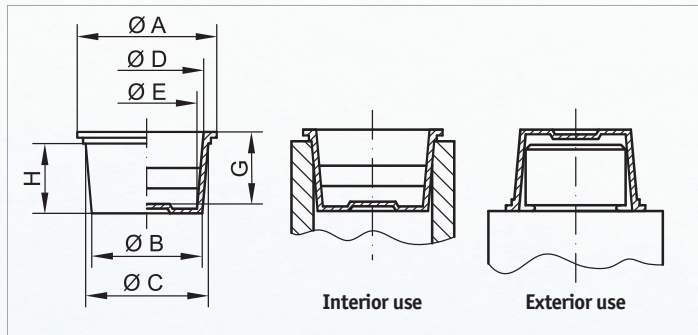
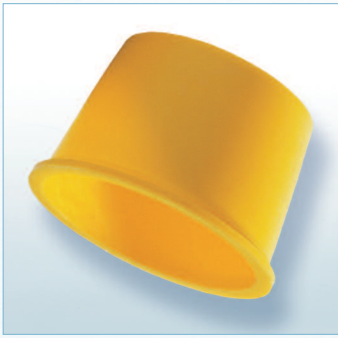
► For dimensions refer to page 44



The information in this application table is given only as a guide. We will gladly provide free samples for testing. For unthreaded openings and bores please select products according to functional dimensions B and C. Additional dimensions and custom versions available upon enquiry, please refer to "Materials and Colours", page 10.

GPN 610

Application Guide Data for Exterior Use



Suitable for use as cap (exterior use)							Order No.
Regular thread	Metric thread				Pipe thread		
	Fine thread						
M 4	M 4 x 0.5					610 U 1	
M 5	M 5 x 0.5					610 U 2	
M 7						610 U 3	
M 8	M 7.5 x 1	M 8 x 1			1/16	610 U 4	
	M 8.5 x 1					610 U 5	
M 9	M 9 x 1	M 9.5 x 1				610 U 6	
M 10	M 10 x 1				1/8	610 U 7	
	M 10.5 x 1					610 U 8	
M 12	M 12 x 1	M 12 x 1.5				610 U 9	
	M 12.5 x 1					610 U 10	
	M 13 x 1	M 13 x 1.5			1/4	610 U 11	
	M 13.5 x 1					610 U 12	
M 14	M 14 x 1	M 14.5 x 1	M 14 x 1.5			610 U 13	
M 16	M 16 x 1	M 16 x 1.5				610 U 14	
					3/8	610 U 15	
	M 17 x 1	M 17 x 1.5	M 17 x 2			610 U 16	
M 18	M 18 x 1	M 18 x 1.5	M 18 x 2			610 U 17	
	M 19 x 1	M 19 x 1.5	M 19 x 2			610 U 18	
M 20	M 20 x 1	M 20 x 1.5	M 20 x 2			610 U 19	
	M 21 x 1	M 21 x 1.5	M 21 x 2		1/2	610 U 20	
M 22	M 22 x 1	M 22 x 1.5	M 22 x 2			610 U 21	
	M 23 x 1	M 23 x 1.5	M 23 x 2		5/8	610 U 22	
	M 25 x 1	M 25 x 1.5	M 25 x 2			610 U 23	
	M 26 x 1	M 26 x 1.5	M 26 x 2		3/4	610 U 24	
M 27	M 27 x 1	M 27 x 1.5	M 27 x 2			610 U 241	
	M 28 x 1	M 28 x 1.5	M 28 x 2	M 28 x 3		610 U 25	
M 30	M 30 x 1	M 30 x 1.5	M 30 x 2	M 30 x 3		610 U 26	
	M 32 x 1	M 32 x 1.5	M 32 x 2	M 32 x 3		610 U 27	
	M 34 x 1	M 34 x 1.5	M 34 x 2	M 34 x 3		610 U 28	
	M 37 x 1	M 37 x 1.5	M 37 x 2		1	610 U 29	
	M 38 x 1	M 38 x 1.5	M 38 x 2	M 38 x 3	1 1/8	610 U 291	
M 39	M 39 x 1	M 39 x 1.5	M 39 x 2	M 39 x 3		610 U 30	
	M 40 x 1	M 40 x 1.5	M 40 x 2	M 40 x 3	M 40 x 4	610 U 31	
M 42	M 42 x 1	M 42 x 1.5	M 42 x 2	M 42 x 3	M 42 x 4	610 U 32	
M 45	M 45 x 1	M 45 x 1.5	M 45 x 2	M 45 x 3	M 45 x 4	610 U 33	
					1 3/8	610 U 35	
					1 1/2	610 U 36	
M 52	M 52 x 1	M 52 x 1.5	M 52 x 2	M 52 x 3	M 52 x 4	610 U 36	
	M 55 x 1	M 55 x 1.5	M 55 x 2	M 55 x 3	M 55 x 4	610 U 37	
	M 55 x 1	M 55 x 1.5	M 55 x 2	M 55 x 3	M 55 x 4	610 U 38	
	M 60 x 1	M 60 x 1.5	M 60 x 2	M 60 x 3	M 60 x 4	610 U 39	
M 62	M 62 x 1	M 62 x 1.5	M 62 x 2	M 62 x 3	M 62 x 4	610 U 40	
	M 72 x 1	M 72 x 1.5	M 72 x 2	M 72 x 3	M 72 x 4	610 U 42	

► For dimensions refer to page 44

46

The information in this application table is given only as a guide. We will gladly provide free samples for testing. For bolts, pins and pipe ends please select products according to functional dimensions D and E. Additional dimensions and custom versions available upon enquiry, please refer to "Materials and Colours", page 10.