

THIS DOCUMENT AND ALL INFORMATION THEREIN CONTAINED  
 ARE OUR EXCLUSIVE PROPERTY. THE RECIPIENT AGREES  
 NOT TO REPRODUCE, COPY, USE OR TRANSMIT THIS DOCUMENT  
 AND/OR THE INFORMATION THEREIN CONTAINED FOR  
 ANY PURPOSE, EXCEPT WITH OUR WRITTEN PERMISSION

DRAWING CREATED ISO STANDARDS

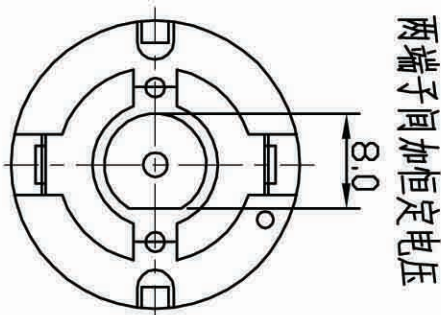
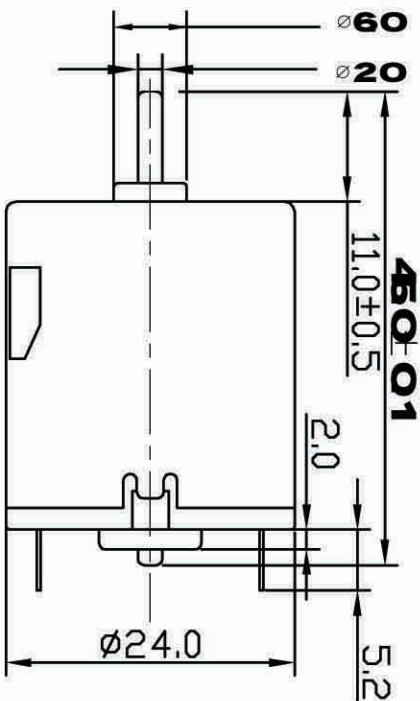
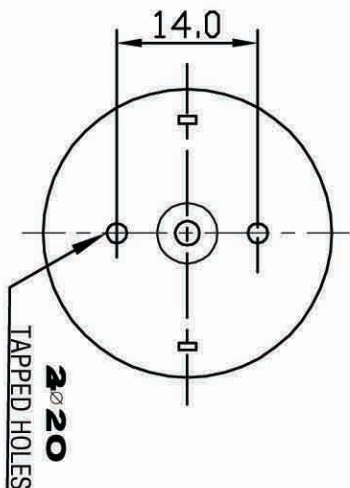
FUER DIESE ZEICHUNG BEHALTEN WIR  
 UNS ALLE RECHTE NACH DIN 34 FÜR

版次: **A**

MODEL: HS-RE280-2865 (R0HS)

VOLTAGE: 3.0 VDC

DIRECTION OF ROTATION



未注公差	圆角半径和倒角高度
0~6	6~30
±0.05	±0.1
±0.1	±0.2
±0.2	±0.3
±0.3	±0.5
±0.5	±0.8

TITLE: 外形装配图	A4	DRAWER:
MATERIAL:		CHECKER:
MODEL: R280		APPROVER:
DO NOT SCALE THE DRAWING		
DRAWING NO.: A080406-1		

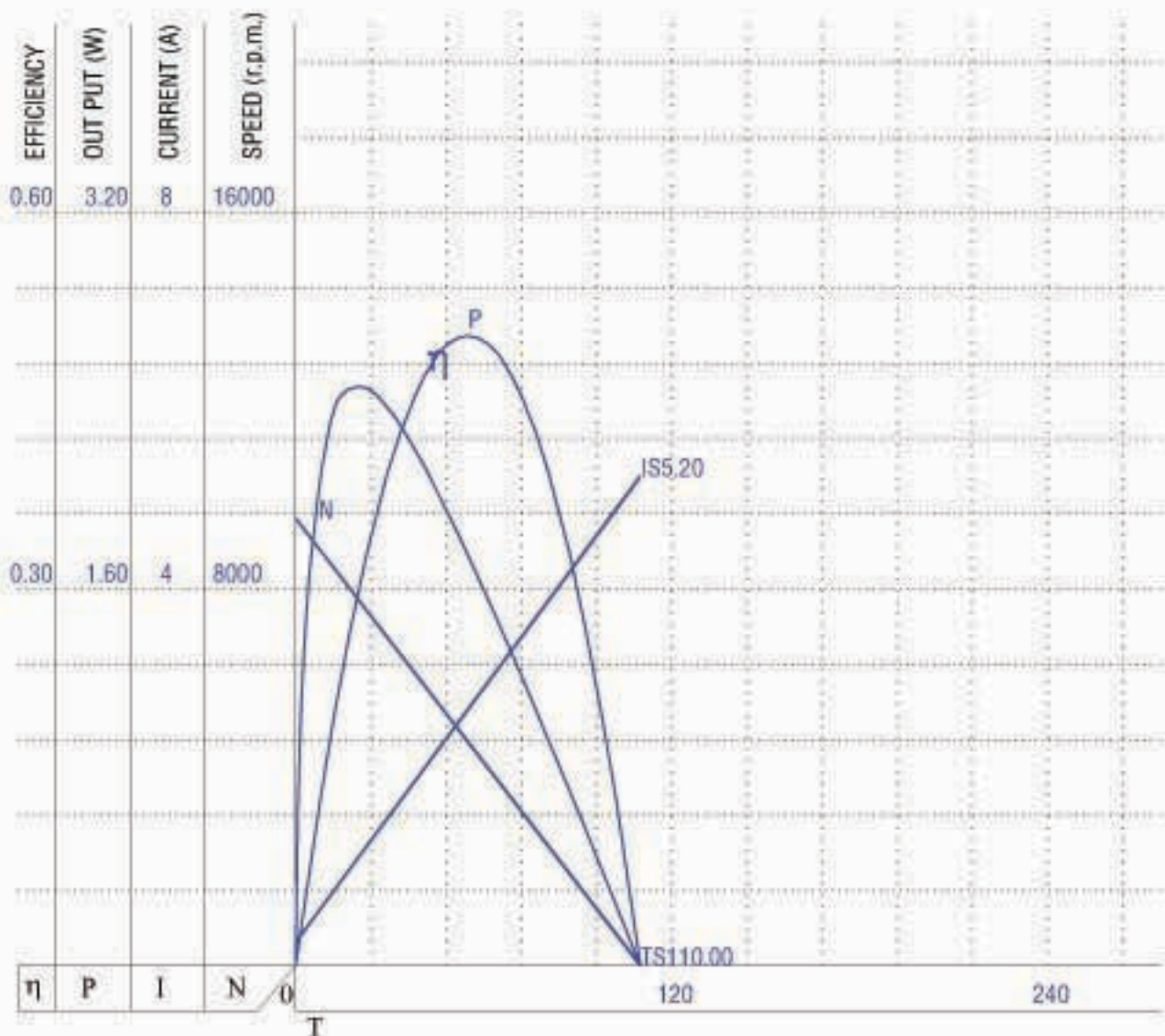
1 2 3 4 5 6

MODEL: HS-RE280 -2865 (ROHS)

VOLTAGE: 3.00 VDC

LENGTH OF SHAFT (A): 45.0 mm ( ±0.1 )	FRONT EXTENSION (B): 11.0mm ( ±0.5 )	NOISE:60 1/2 dBA / inch( Max)
---------------------------------------	--------------------------------------	-------------------------------

NO LOAD		LOAD EFFICIENCY(APPROX)					STALL	
SPEED (r.p.m.)	CURRENT ( A )	SPEED (r.p.m.)	CURRENT ( A )	TORQUE ( g.cm )	OUT PUT ( W )	EFFICIENCY ( % )	CURRENT ( A )	TORQUE ( g.cm )
9500 ±10%	0.25 MAX.	7790	1.14	19.91	1.58	46.21	5.20 MAX.	110.00 MIN.



CUSTOMER	A080406-1	REVISION	A	DATE	2008-04-06
DRAWN BY		CHECKED BY		APPROVED BY	