

High Sensitivity PCB Power Relay, 16A



DESCRIPTION

High Sensitivity Power Relays. These high sensitivity, single pole, through hole mounting relays are designed for switching control signals within circuits.

DISTINCTIVE FEATURES

- Fully Sealed Construction
- SPST-NO or SPDT Contact Configuration
- Contact Form: 1 Form A and 1 Form C
- PCB Mounting

APPLICATIONS

These relays are suitable for a wide range of applications including automotive electronics, automation control, audio amplification, and industrial equipment.

16A

1 Form A

1 Form C

250V AC

30V DC





ELECTRICAL SPECIFICATION

Contact Form	A - 1 Form A, C - 1 Form C (See Part Number Table)	
Contact Rating	Resistive	16A 250VAC/30VDC
	TV Rating:	TV-8 125VAC
	Inductive	8A 250VAC/30VDC (COS Φ =0.4,L/R=7ms)
Contact Resistance	Maximum	100m Ω (6VDC 1A)
Insulation Resistance	Minimum	1000M Ω 500VDC
Load	Maximum Switching Voltage	250VAC/30VDC
	Maximum Switching Current	16A
	Maximum Switching Power	4,000VA, 480W
	Minimum Switching Load	5VDC, 100mA
Dielectric Strength	Between open contacts	1,000VAC, 1min
	Between coil and contacts	4,000VAC, 1min

Coil Data

Ambient Temperature: 23°C

Part number	Nominal Voltage VDC	Coil Resistance Ω +/-10%	Operate Voltage \leq VDC	Release Voltage \geq VDC	Coil Power mW	Contact Form
61-6300	24	1067	18.0	2.4	540	A - 1 form A
61-6301	24	1067	18.0	2.4		C - 1 Form C
61-6306	12	267	9.0	1.2		C - 1 Form C



GENERAL SPECIFICATION

Series	High Sensitivity Signal Relays
Mounting Type	PCB mounting
RoHS	Yes



MATERIALS

Contact Material	Ag Alloy
Outer Case Material	PBT Plastic sealed



CERTIFICATION AND STANDARDS

File Number	Contact Form	Power Consumption	Coil Voltage	Contact rating	Remarks
CSA 1063015 (LR 106040)	A/C	0.72W/0.54W	3 - 48VDC	16A 120VAC	—
TUV 50116140-001	A	0.72W/0.54W	3 - 48VDC	16A 120VAC	Ambient Temperature: 85°C
	C	0.72W/0.54W	3 - 48VDC	NO/NC: 16A/10A 250VAC	Ambient Temperature: 85°C
UL E164730	A/C	0.72W/0.54W	3 - 48VDC	16A 120VAC	Ambient Temperature: 40°C
CQC09002035018 (GB/T 21711.1-2008)	A	0.72W/0.54W	3 - 48VDC	16A 120VAC	Ambient Temperature: 85°C
	C	0.72W/0.54W	3 - 48VDC	NO/NC: 16A/10A 250VAC	Ambient Temperature: 85°C

ISO9001, ISO/TS16949, ISO14001 Approved

Specifications subject to change without notice.



ENVIRONMENTAL/OPERATING SPECIFICATION

Life	Electrical	100,000 operations
	Mechanical	10,000,000 operations
Operate Time	Maximum 15ms	
Release Time	Maximum 8ms	
Operating Temperature	-30~+70°C (540mW)	
Humidity	35~95%RH, +40°C	
Shock Resistance	Endurance	1,000m/s ²
	Misoperation	100m/s ²
Vibration Resistance	Endurance	10~55Hz, 1.5mm double amplitude
	Misoperation	10~55Hz, 1.5mm double amplitude



TERMINALS

Terminal Type	Solder pins
Terminal Dimensions	See drawing on pages 4 and 5



DIMENSIONS/DRAWINGS

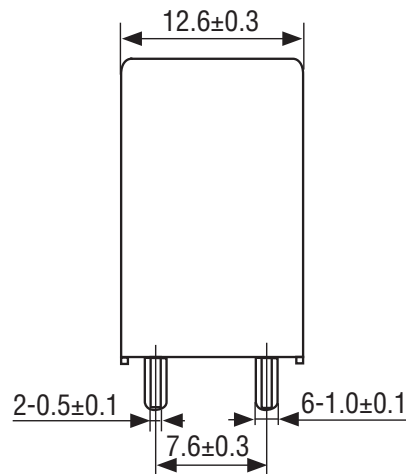
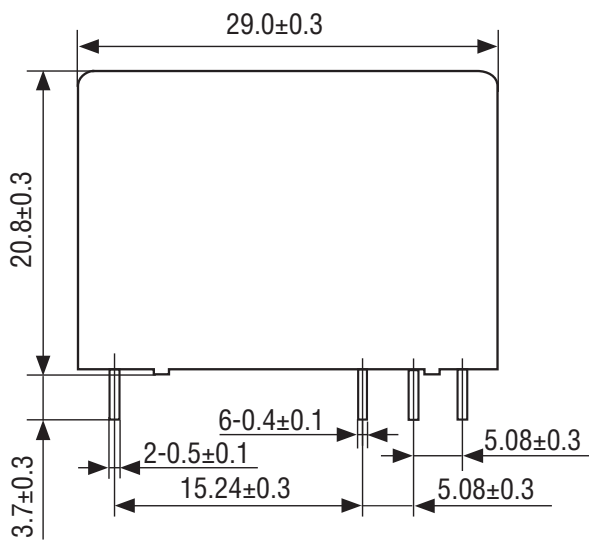
Units	mm - unless stated otherwise
Dimensions (Summary)	29.0 x 12.6 x 20.8
Length	29.0
Width	12.6
Height (Excluding pins)	20.8
Weight	13g (approx.)



OUTLINE, WIRING DIAGRAM, MOUNTING HOLE LAYOUT (UNIT: mm)

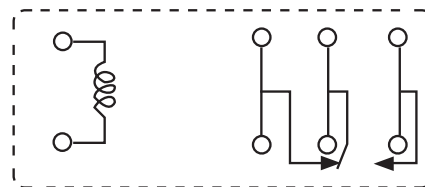
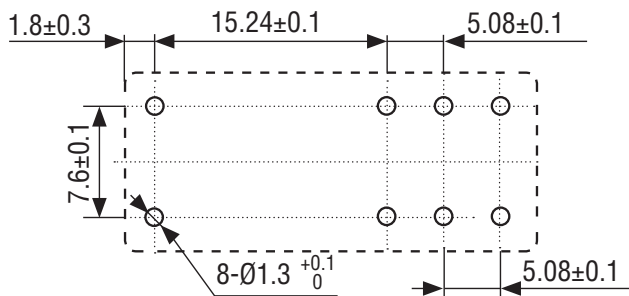
1 Form C

Outline



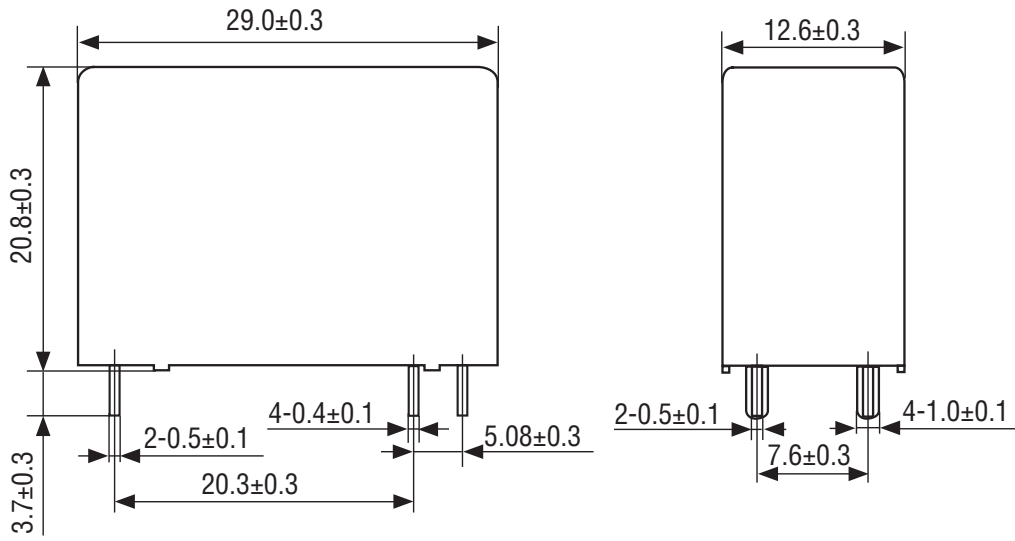
Mounting Hole Layout
(Bottom View)

Wiring Diagram
(Bottom View)



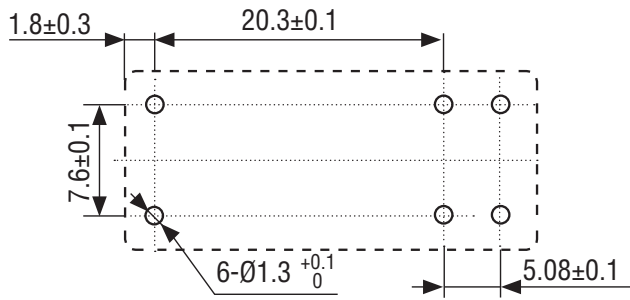
1 Form A

Outline



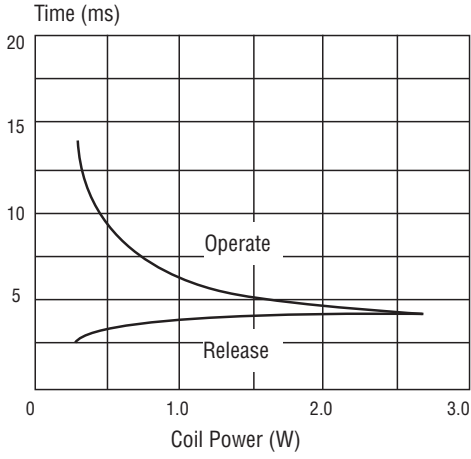
Mounting Hole Layout
(Bottom View)

Wiring Diagram
(Bottom View)

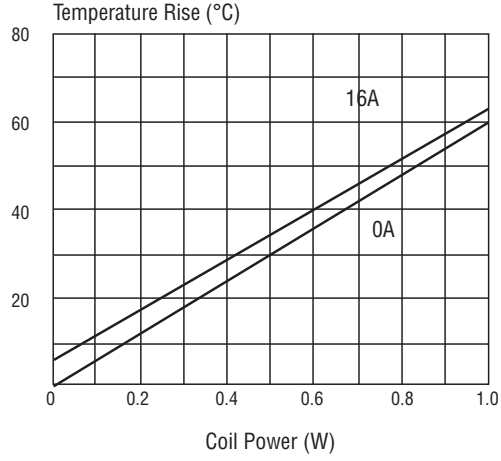


REFERENCE DATA

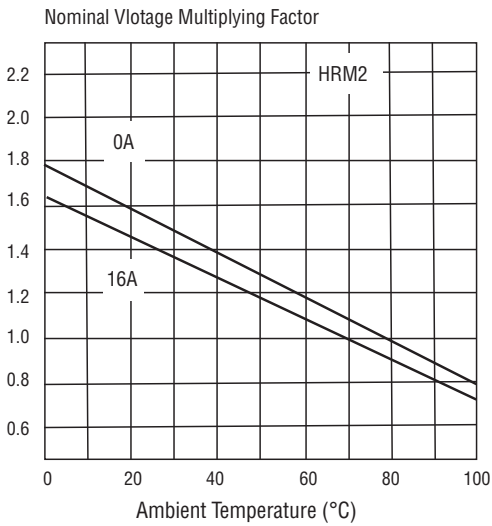
Time Curve



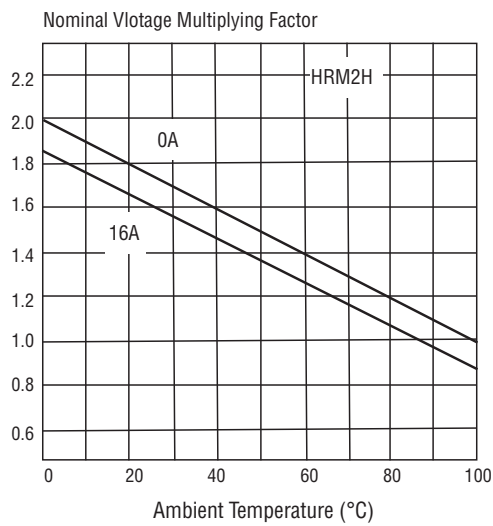
Coil Temperature Rise



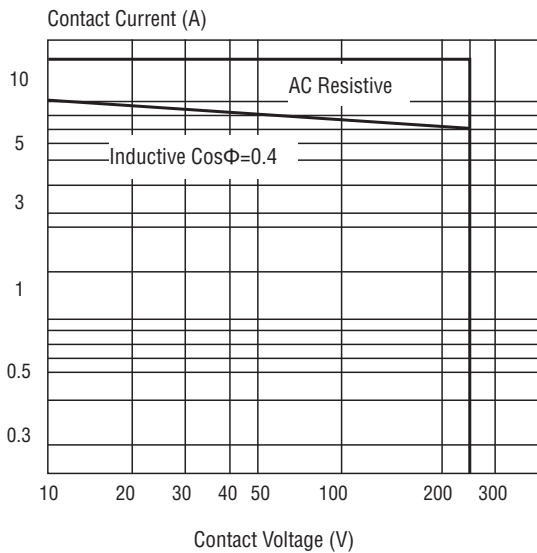
Operating Range



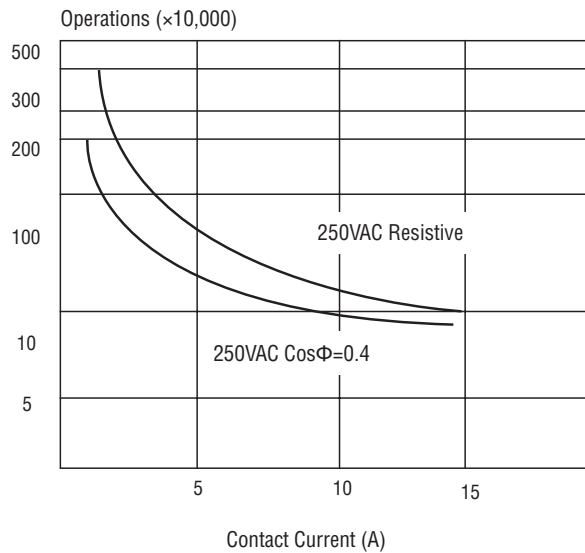
Operating Range



Maximum Switching Power



Life Curves





OPTIONS (MOQ may apply)

Coil Voltage	3, 5, 6, 9, 12, 24 & 48V
Coil Sensitivity	Standard (720mW)
Contact Form	1 Form A, 1 Form C
Contact Configuration	SPST-NO, SPDT



PART NUMBER TABLE

Part number	Nominal Coil Voltage	Contact Form	Enclosure	Coil Sensitivity	UNSPSC	EAN	Country of Origin
61-6300	24 VDC	1 Form A	Sealed	High (540mW)	39122325	5053556018796	China
61-6301	24 VDC	1 Form C	Sealed	High (540mW)	39122325	5053556018802	China
61-6306	12V DC	1 Form C	Sealed	High (540mW)	39122325	5053556018857	China

For further information on pricing, delivery, and long-term stock agreements please contact your local business development person, telephone our main office on **01206 838000** or email **Sales@Rapidonline.com**.



Tried & trusted technology

Important Notice: This data sheet and its contents (the "Information") belong to Rapid Electronics Limited or are licensed to it. No licence is granted for the use of it other than for information purposes in connection with the products to which it relates. No licence of any intellectual property rights is granted. The Information is subject to change without notice and replaces all data sheets previously supplied. The Information supplied is believed to be accurate but Rapid Electronics Limited assumes no responsibility for its accuracy or completeness, any error in or omission from it or for any use made of it. Users of this data sheet should check for themselves the information and the suitability of the products for their purpose and not make any assumptions based on information included or omitted. Liability for loss or damage resulting from any reliance on the Information or use of it (including liability resulting from negligence or where Rapid Electronics Limited were aware of the possibility of such loss or damage arising) is excluded. This will not operate to limit or restrict Rapid Electronics Limited's liability for death or personal injury resulting from its negligence.