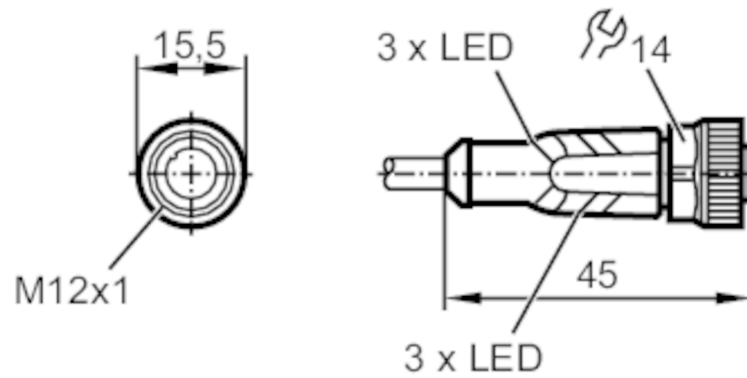


EVC645



Connecting cable with socket

ADOGH046MSS0005H04



Application

| | |
|--------------------|--|
| Special feature | Free from silicone; Halogen-free; Gold-plated contacts; Drag chain suitability |
| Free from silicone | yes |

Electrical data

| | |
|-----------------------------|------------|
| Operating voltage [V] | 10...36 DC |
| Protection class | II |
| Max. current load total [A] | 4 |

Outputs

| | |
|-------------------|-----|
| Electrical design | PNP |
|-------------------|-----|

Operating conditions

| | |
|--------------------------------------|-----------------------------|
| Ambient temperature [°C] | -25...90 |
| Note on ambient temperature | cULus: ...50 |
| Ambient temperature (moving) [°C] | -25...90 |
| Note on ambient temperature (moving) | cULus: ...50 |
| Protection | IP 65; IP 67; IP 68; IP 69K |

EVC645



Connecting cable with socket

ADOGH046MSS0005H04

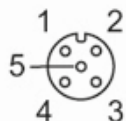
| Mechanical data | | |
|------------------------|--|--|
| Weight [g] | 152.4 | |
| Dimensions [mm] | 15.5 x 15.5 x 45 | |
| Materials | housing: TPU black transparent; Sealing: FKM | |
| Material nut | brass, nickel-plated | |
| Drag chain suitability | yes | |
| Drag chain suitability | bending radius for flexible use | min. 10 x cable diameter |
| | travel speed | max. 3.3 m/s for a horizontal travel length of 5 m and max. acceleration of 5 m/s ² |
| | bending cycles | > 5 Mio. |
| | torsional strain | ± 180 °/m |

| Displays / operating elements | | |
|-------------------------------|------------------|-----------------|
| Display | switching status | 4 x LED, yellow |
| | operation | 2 x LED, green |

| Remarks | |
|---------------|---|
| Notes | Please see the technical note under "Downloads" |
| Pack quantity | 1 pcs. |

Electrical connection
Cable: 5 m, PUR, Halogen-free, black, Ø 4.3 mm; 4 x 0.34 mm² (42 x Ø 0.1 mm)

Electrical connection - socket
Connector: 1 x M12, straight; Locking: brass, nickel-plated; Contacts: gold-plated; Tightening torque: 0.6...1.5 Nm



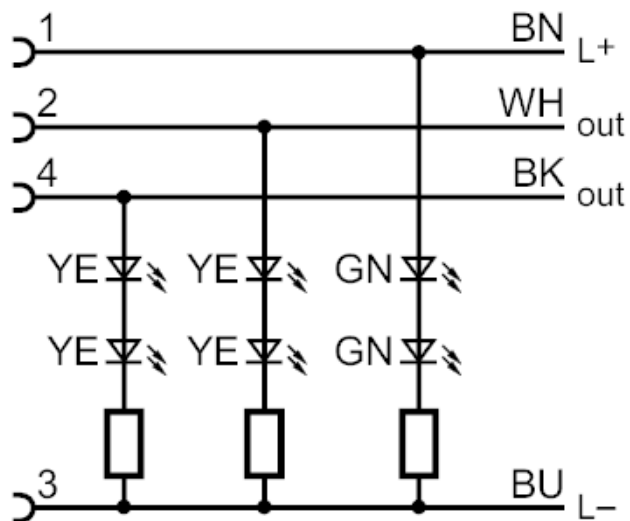
EVC645



Connecting cable with socket

ADOGH046MSS0005H04

Connection



Core colours :

BK = black
BN = brown
BU = blue
WH = white