

Product characteristics

Inductive sensor

Metal thread M12 x 1

Connector

Sensing range 4 mm; [nf] non-flush mountable

Electrical data

Electrical design

Operating voltage [V]

Protection class

Reverse polarity protection

Outputs

Output function

Voltage drop [V]

Minimum load current [mA]

Leakage current [mA]

**Current rating**

- Current rating (continuous) [mA]

- Current rating (peak) [mA]

Short-circuit proof

Overload protection

Switching frequency [Hz]

Range

Sensing range [mm]

Real sensing range (Sr) [mm]

Operating distance [mm]

Accuracy / deviations

Correction factors

Hysteresis [% of Sr]

Switch-point drift [% of Sr]

Environment

Ambient temperature [°C]

Protection

Tests / approvals

EMC

MTTF [Years]

Mechanical data

Mounting

Housing materials

Weight [kg]

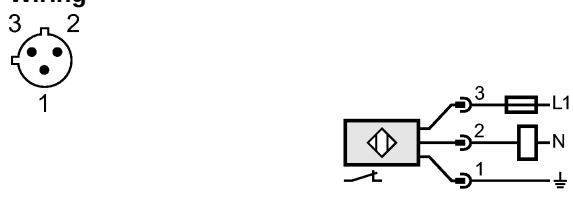
Displays / operating elements

Output status indication LED

Electrical connection

	AC
	20...250 AC (47...63 Hz)
	I
	no
	Normally closed
	< 8.5
	8
	< 2
	250; at -25°C to +50°C, 200mA at +50°C to +80°C
	î: 0.9 A (20 ms / 0.5 Hz)
	no
	no
	25
	4
	4 ± 10 %
	0...3.25
	mild steel = 1 / stainless steel approx. 0.7 / brass approx. 0.4 / Al approx. 0.4 / Cu approx. 0.3
	3...15
	-10...10
	-25...80
	IP 67
	EN 60947-5-2
	EN 55011: class B
	932
	non-flush mountable
	Brass white bronze coated; PC (polycarbonate)
	0.041
	Red

**IF0287 - Inductive sensor - eclass: 27270101 / 27-27-01-01**

Connection	1/2" connector
<p><b>Wiring</b></p>  <p>Note: miniature fuse to IEC60127-2 sheet 1, <math>\leq 2</math> A (fast acting)</p>	
Accessories	
Accessories (included)	2 lock nuts
Remarks	
Remarks	Recommendation: check the unit for reliable function after a short circuit.
Pack quantity [piece]	1