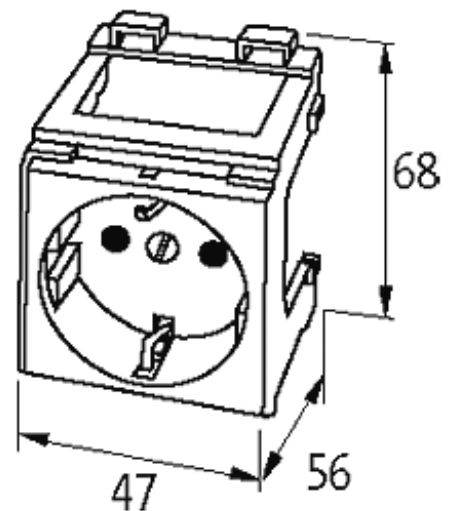


MODLINK MSVD CABINET POWER OUTLETS

VDE orange 250V AC / 16 A

Germany (VDE) orange
for installing in front of main switch
Screw terminals

[Link to Product](#)**Illustration**

Product may differ from Image

Approvals

VDE

Technical Data

The information in this brochure has been compiled with the utmost care.
Liability for the correctness completeness and topicality of the information is restricted to gross negligence. Version: 05/15

Operating voltage	max. 250 V AC
-------------------	---------------

Operating current	max. 16 A
-------------------	-----------

General data

Mounting method	DIN-rail mountable (EN 60715)
-----------------	-------------------------------

Connection	Screw terminals: max. 2 × 2.5 mm ² (AWG 14)
------------	--

Dimensions H × W × D	68×47×56 mm
----------------------	-------------

Commercial data

country of origin	FR
-------------------	----

customs tariff number	85366990
-----------------------	----------

minimum order quantity	1
------------------------	---
