

**M12 MALE 0° SHIELDED**

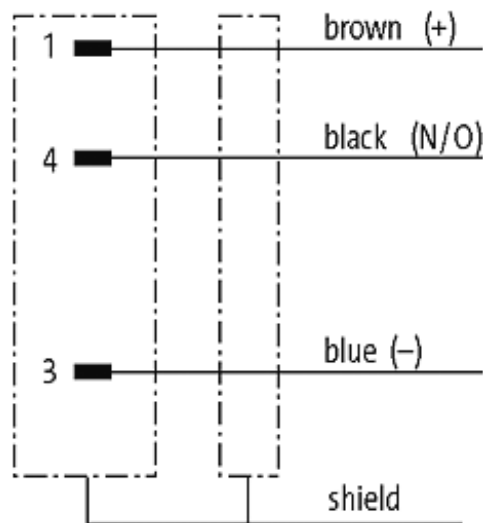
PUR 3X0.34 shielded GRAY, 3m

M12

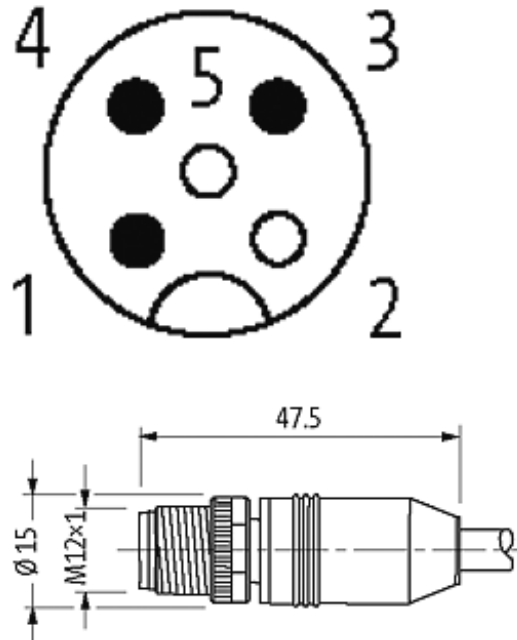
Male straight

3-pole, shielded

Plastic housings with good resistance against chemicals and oils. The resistance to aggressive media should be individually tested for your application. Further details on request. Further cable lengths on request.

[Link to Product](#)**Illustration**

# Male



Product may differ from Image

## Approvals



## Form

13061

## Technical Data

|                               |   |
|-------------------------------|---|
| Operating voltage             | max. 60 V AC/DC   |
| Operating current per contact | max. 4 A  |
| Locking of ports              | Screw thread M12 × 1 mm (recommended torque 0.6 Nm) self-securing |
| Protection                    | IP67 inserted and tightened (EN 60529)                            |

## Cables

|                             |                          |
|-----------------------------|--------------------------|
| Cable number                | 318                      |
| No./diameter of wires       | 3 × 0.34 mm <sup>2</sup> |
| Wire isolation              | PVC (br, bl, bk)         |
| Jacket Color                | gray                     |
| Shore hardness outer jacket | 85 ± 5A                  |
| Material (jacket)           | PUR/PVC                  |
| Outer diameter              | approx. 5.9 mm           |

The information in this brochure has been compiled with the utmost care.

Liability for the correctness completeness and topicality of the information is restricted to gross negligence. Version: 05/15

|                            |              |
|----------------------------|--------------|
| Bend radius (fixed)        | 10 × outer Ø |
| Bend radius (moving)       | 15 × outer Ø |
| Temperature range (fixed)  | -30...+80 °C |
| Temperature range (mobile) | -5...+70 °C  |
| Shielded                   | yes          |

**General data**

|                   |  |
|-------------------|--|
| Temperature range | -25...+85 °C, depending on cable quality |
|-------------------|--|

**Commercial data**

|                        |          |
|------------------------|----------|
| country of origin      | DE       |
| customs tariff number  | 85444290 |
| minimum order quantity | 1        |