

M12 male 0° / M12 male 0° shielded X-cod. Gigabit

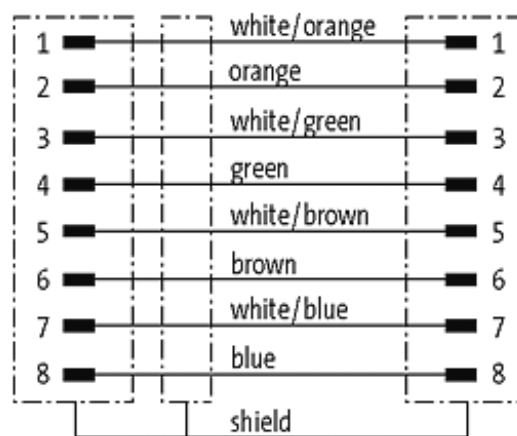
PUR 4x2xAWG26 shielded gn UL/CSA 10m

Ethernet
10 Gbit/s
Male straight to male straight
M12 - M12
8-pole, shielded

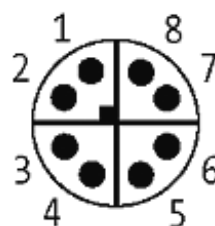
Further cable lengths on request. Plastic housings with good resistance against chemicals and oils. The resistance to aggressive media should be individually tested for your application. Further details on request.

[Link to Product](#)

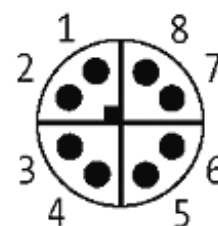
Illustration

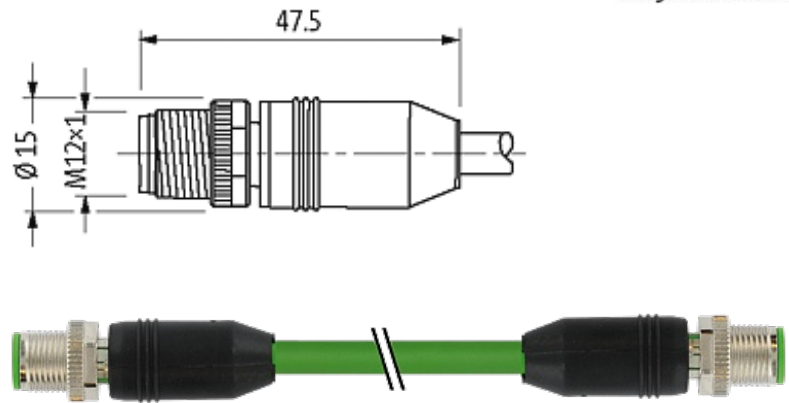


Male



Male





Product may differ from Image

More Info



Form

51001

Technical Data

| | |
|-------------------------------|---|
| Operating voltage | 50 V AC/60 V DC |
| Operating current per contact | max. 0.5 A |
| Locking of ports | Screw thread M12 × 1 mm (recommended torque 0.6 Nm) self-securing |
| Protection | IP67 inserted and tightened (EN 60529) |

Cables

| | |
|-----------------------------|---|
| Cable number | 790 |
| No./diameter of wires | 4 × 2 × 0.14 mm ² |
| Wire isolation | PP (whbl, bl, whor, or, whgn, gn, whbr, br) |
| Jacket Color | green |
| Shore hardness outer jacket | 85 ± 5A |
| Material (jacket) | PUR (UL/CSA) |
| Outer diameter | approx. 6.5 mm |
| Bend radius (fixed) | 8 × outer Ø |
| Bend radius (moving) | 12 × outer Ø |
| Temperature range (fixed) | -30...+80 °C |
| Temperature range (mobile) | -10...+50 °C |
| Shielded | yes |

General data

| | |
|-------------------|--|
| Temperature range | -25...+85 °C, depending on cable quality |
|-------------------|--|

Commercial data

| | |
|-------------------|----|
| country of origin | DE |
|-------------------|----|

customs tariff number 85444290

minimum order quantity 1