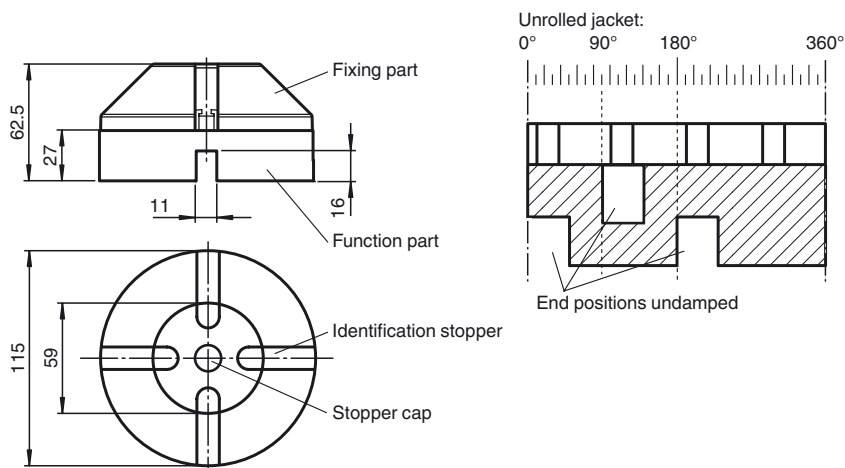




Dimensions



Model Number

BT115X

Activator for F31 series

Features

- Suitable for right and left rotating drives
- Action reversed (end position undamped)

Technical data

General specifications

Ring diameter	≤ 110 mm
Spring ring height	≤ 7 mm

Ambient conditions

Ambient temperature	-25 ... 70 °C (-13 ... 158 °F)
---------------------	--------------------------------

Mechanical specifications

Shaft diameter	< 90 mm
Shaft height	30 mm and 50 mm
Mounting hole pattern	30 x 130 mm

Material	
Housing	Mounting component: PA
Spacer disk	PA (2 units, 10 mm strong)
Stopper cap	PE (1 unit black)
Identification stopper	PA (2 units yellow, 2 units black)
Mounting screw	for activator: 1.4305 / AISI 303 (1 unit M6 x 25) for sensors - F31: 1.4305 / AISI 303 (4 items M5 x 16, (2 pieces M5 x 12)
Activation target	Stainless steel 1.4305 / AISI 303 (integrated)
Mass	140 g

Note

The activator consists of stainless steel and a conductive plastic material which prevents static charging and allows installation in potentially explosive environments.

Release date: 2016-06-10 18:11 Date of issue: 2016-06-10 259055_eng.xml

Matching system components

NBN3-F31-E8-K

NBN3-F31-E8-K-K

NBN3-F31-E8-V1

NBN3-F31-E8-V16-V15

NBN3-F31-E8-V18

NBN3-F31K-E8

NBN3-F31K-E8-K

NBN3-F31K-E8-V1-V1

NBN3-F31K-Z8

NBN3-F31K-Z8-K

NBN3-F31K-Z8-V1-V1

NBN3-F31K2-E8-B13-S

NBN3-F31K2-E8-B33-S

NBN3-F31K2-E8-B43-S

NBN3-F31K2M-E8-B13-S

NBN3-F31K2M-E8-B23-S

NBN3-F31K2M-E8-B33-S

NBN3-F31K2M-E8-B43-S

NBN3-F31K2M-Z8L-B43-S

NBN3-F31K2M-Z8L-B13-S

NBN3-F31K2M-Z8L-B23-S

NBN3-F31K2M-Z8L-B33-S

NBN3-F31K2-Z8L-B13-S

NBN3-F31K2-Z8L-B33-S

NBN3-F31-U8-K

NBN3-F31-U8-V125

NBN3-F31-U8-V18

Release date: 2016-06-10 18:11 Date of issue: 2016-06-10 259055_eng.xml

Matching system components**NBN3-F31-Z8-K****NBN3-F31-Z8-K-K****NBN3-F31-Z8-V1****NBN3-F31-Z8-V16-V15****NBN3-F31-Z8-V16-V16****NBN3-F31-Z8-V18****NCN3-F31-B3B-V1**

Valve positioner and valve control module

NCN3-F31-B3B-V1-K

Valve positioner and valve control module

NCN3-F31-B3B-V1-V1

Valve positioner and valve control module

NCN3-F31-B3-V1-K

Valve positioner and valve control module

NCN3-F31K-B3B-B31

Valve positioner and valve control module

NCN3-F31K-N4**NCN3-F31K-N4-B13-S****NCN3-F31K-N4-K****NCN3-F31K-N4-K-S****NCN3-F31K-N4-S****NCN3-F31K-N4-V1-V1****NCN3-F31K-N5-K****NCN3-F31-N4-K****NCN3-F31-N4-K-K****NCN3-F31-N4-V1****NCN3-F31-N4-V16-K****NCN3-F31-N4-V16-V16****NCN3-F31-N4-V18****NCN3-F31-N5-V18-V1**

Release date: 2016-06-10 18:11 Date of issue: 2016-06-10 259055_eng.xml

Refer to "General Notes Relating to Pepperl+Fuchs Product Information".

Pepperl+Fuchs Group
www.pepperl-fuchs.comUSA: +1 330 486 0001
fa-info@us.pepperl-fuchs.comGermany: +49 621 776 4411
fa-info@de.pepperl-fuchs.comSingapore: +65 6779 9091
fa-info@sg.pepperl-fuchs.com