

## PRODUCT DATA SHEET

### P/N 624 479 3 0

#### Crimping dies for use with following crimping tools and machines



P/N 624 000 6  
P/N 624 000 3



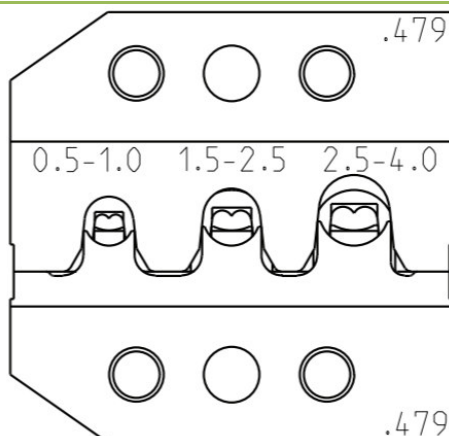
P/N 6370 0100 1



P/N 636 025-1  
P/N 636 025-5  
P/N 636 025-3

**Product Description** Die Set 12.479

**Product Image**



**Product range mm<sup>2</sup> or AWG** 0,5 – 4,0 mm<sup>2</sup>

**Applications**

Contact Name	Manufacturer	Part Number Strip	Part Number Loose	Type	Range
<b>APK Sealed</b>	ITT Cannon	121668-0025	031-8717-051	Male	2,50 - 4,00
<b>APK Sealed</b>	ITT Cannon	121668-0026	031-8717-046	Male	0,50 - 1,00
<b>APK Sealed</b>	ITT Cannon	121668-0027	031-8717-047	Male	1,50 - 2,50
<b>APK Sealed</b>	ITT Cannon	121668-0125	031-8717-149	Female	0,50 - 1,00
<b>APK Sealed</b>	ITT Cannon	121668-0127	031-8717-151	Female	2,50 - 4,00
<b>APK Sealed</b>	ITT Cannon	121668-0128	031-8717-153	Female	1,50 - 2,50