

Star Grips • DIN 6336 stainless steel die-cast
24661.0050



Product Description

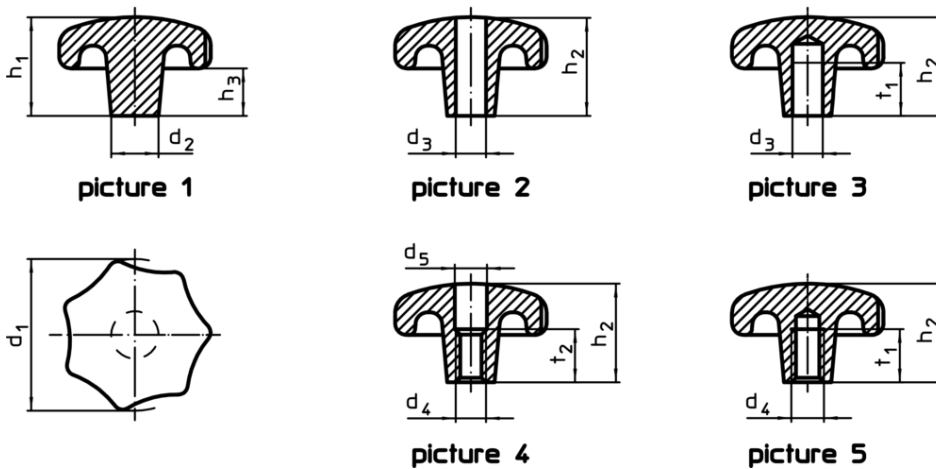
These star grips are manufactured according to DIN 6336.

Material

Handle

- Stainless steel A2, dull blasted

Drawing



Order information

d ₁	Dimensions				[g]	Art. No.
	d ₂	h ₁	h ₃	[mm]		
raw part, form A – picture 1						
50	18	34	17		181	24661.0050

Compliance

RoHS compliant

Compliant according to Directive 2011/65/EU and Directive 2015/863

Does not contain SVHC substances

No SVHC substances with more than 0.1% w/w contained - SVHC list [REACH] as of 10.06.2022

Does not contain Proposition 65 substances

No Proposition 65 substances included

<https://www.P65Warnings.ca.gov/>

Free from Conflict Minerals

This product does not contain any substances designated as "conflict minerals" such as tantalum, tin, gold or tungsten from the Democratic Republic of Congo or adjacent countries.