

## Dot laser, red, 635 nm, 1 mW

DD635-1-3(12x25)  
Order Number: 70100471

Main Parameters (*)	min	typ	max	Unit
Wavelength		635		nm
Optical Output Power		1		mW
Operating Voltage	2.7	3	3.3	V DC
Operating Current	15	26	45	mA
Operating Temperature	-20		50	°C
Storage Temperature	-40		80	°C

### Main Data

Warranty 1 years

### Technical Parameters

Lifetime > 5,000 h  
RoHS yes

### Optical Parameters

Beam Shape	Dot
Laser Class	2
Divergence	D - 0.5 mrad
Beam Diameter	5 mm
Size of Laserdot	<3mm@5m
Operating Distance	10 m
Optics	glass lens AR coated
Laser technology	Single Mode Diode
Focus	collimated

### Electrical Parameters

Potential of Housing isolated  
Power Supply LFNT-3

### Mechanical Parameters

Size	Ø12x25 mm
Material	aluminium
Cable length	100 mm
Wire type	Belden, Typ 1007, 26AWG
Output Aperture	5 mm
Housing Color	black
Weight	7 g
Stripping of wire	5 mm

(\*) Over the complete operating temperature range

## Features



- Operating Voltage 3V DC
- Laser Class 2
- Glas lenses anti reflex coated
- Fixed focus
- Compact size

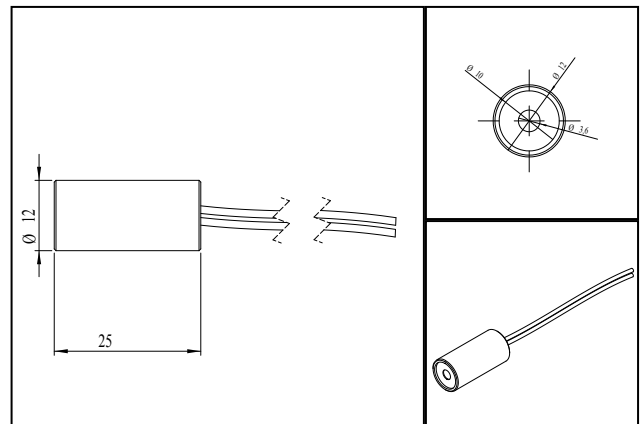
## Picture



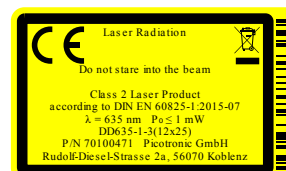
## Cable color

Ground		black	GND
positive		red	2.7 - 3.3, typ 3 V DC

## Drawing



## Safety Label



## Valid Revision

0 | 20-MAR-2013