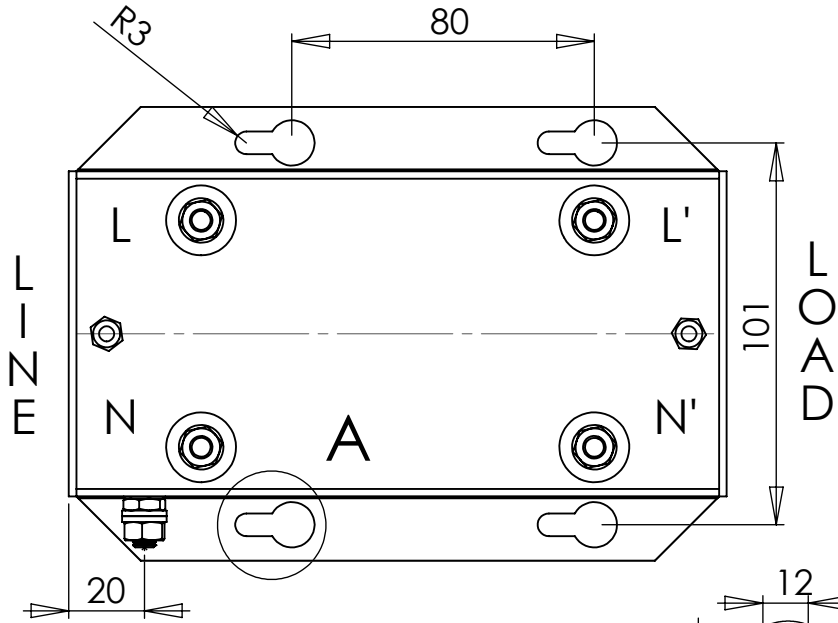
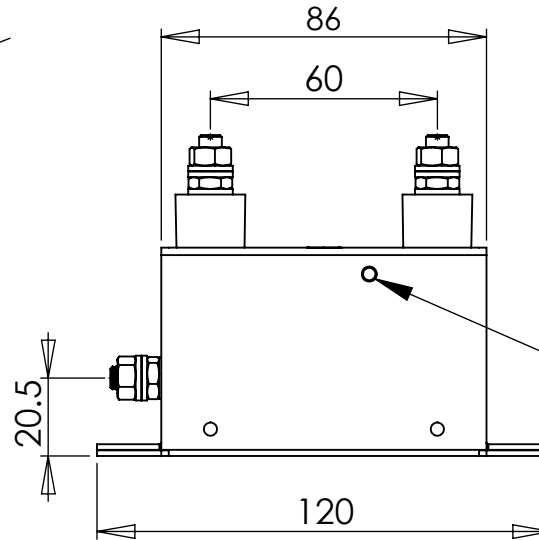
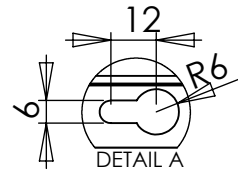
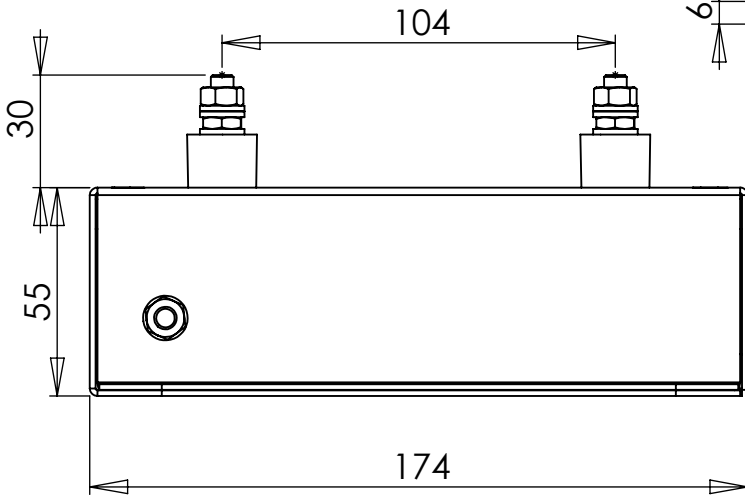


REV.	CNN	CNN DESCRIPTION	Date	Check in
03	-	NEW BORDER	21/01/2010	Shaun Barron
03	-	NEW BORDER	26/01/2010	Shaun Barron



TYPE	CURRENT I(RMS) @40 °C	INDUCTANCE (L)	RESISTANCE (R) PER WINDING	STUD SIZE	INSERTION LOSS @ 150 kHz COMMON MODE	INSERTION LOSS @ 150 kHz DIFFERENTIAL MODE
IHF18	18A	6.40mH	15.0mR	M6	48dB	42dB
IHF25	25A	4.40mH	8.5mR	M6	45dB	39dB
IHF36	36A	2.50mH	3.8mR	M6	40dB	34dB
IHF50	50A	1.10mH	2.0mR	M8	33dB	27dB



ELECTRICAL SPECIFICATION

RATED VOLTAGE	250V
LINE FREQUENCY	50/60Hz
TEMPERATURE RANGE	-25 TO 85 °C
TEST VOLTAGE	2.0KV DC
LEAKAGE CURRENT	2.1mA @ 205V 50 Hz
WEIGHT	1.75KG

FIXING FOR OPTIONAL SURGE (VSU2W)

RoHS
2002/95/EC
Compliant

Tel No. +44(0)1724 273200 Website www.dem-uk.com

PROPRIETARY AND CONFIDENTIAL
THE INFORMATION CONTAINED IN THIS DRAWING IS THE SOLE PROPERTY OF ALPHA 3 MANUFACTURING.
ANY REPRODUCTION IN PART OR AS A WHOLE WITHOUT THE WRITTEN PERMISSION OF ALPHA 3 MANUFACTURING IS PROHIBITED.

UNLESS OTHERWISE SPECIFIED:
DIMENSIONS ARE IN MILLIMETRES
LINEAR TOLERANCE:
NO DECIMAL PLACES ±0.5mm
1 DECIMAL PLACE ±0.25mm
2 DECIMAL PLACES ±0.125mm
ANGULAR TOLERANCE: ±1°

DEM Manufacturing, Deltron Emcon House
Hargreaves Way, Sawcliffe Ind. Park,
Scunthorpe, North Lincolnshire, DN15 8RF, UK



FINISH -
DEBURR AND BREAK SHARP EDGES -
DRAWN BY SPB
APPROVED BY SW
THIRD ANGLE PROJECTION
IF IN DOUBT ASK DO NOT SCALE DRAWING
MATERIAL -

SHEET 1 OF 1
SCALE 1:2
A4

TITLE GENERAL SPECIFICATION
2 WIRE
IHF FILTER RANGE
DRAWING NO. IHFxx-GS
ISSUE 03
Release