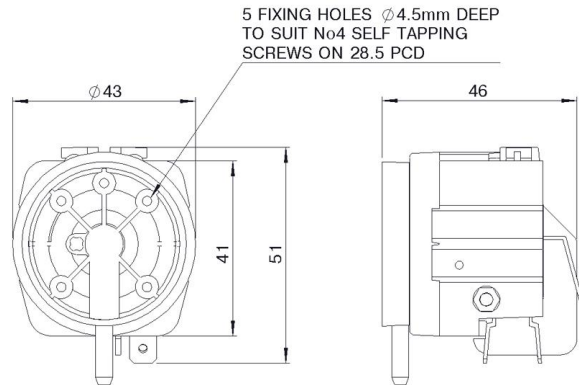


6721/6722 Vacuum Switch

PRODUCT IMAGE



LINE DRAWING



BENEFITS

- these switches have been designed primarily for the OEM manufacturer who requires high reliability
- UL approved versions available
- double pole switching available as a 6722
- wide choice of microswitch options including tag configurations
- high performance repeatability

SPECIFICATIONS

standards/approvals	UL 508 specific models only
degree of protection	n/a
connection method	back & side entry spout, 4mm dia. or 1/8" BSPT & NPT Brass
electrical rating	see table below
contact configuration	see table below
pressure range	n/a
operating temperature	-5°C to +70°C
body material	thermoplastic
weight	0.04Kg
additional information	setting accuracy ±10% for very low power circuits, gold contact versions are available upon request alternative diaphragm & spring materials available upon request

6721/6722 Vacuum Switch

SUITABLE FOR USE WITH THE FOLLOWING MEDIA:

Acetone	✓
Ammonia (Liquid)	✓
Amyl Alcohol to 20°C	✓
Automotive Brake Fluid	✓
Beer	✓
Benzyl Alcohol	x
Butane	✓
Carbon Dioxide – Dry	✓
Citric Acid	✓
Copper Sulphate (Sol.)	✓
Compressed Air	✓
Cutting Oil	✓
Diesel Oil	✓
Detergent Solution	✓
Fuel Oil	✓
Glycol	✓
Hydraulic Oil	✓
Hydrogen	✓
Lubricating Oil	✓
Milk	✓
Mineral Oil	✓
Natural Gas	✓
Nitric Acid (Dil.)	x
Oxygen to 70°C	✓
Petrol	✓
Plating Solution (Chrome)	✓
Salt Water	✓
Sewage	✓
Sulphur Dioxide	x
Turpentine	✓
Vinegar	✓
Water	✓

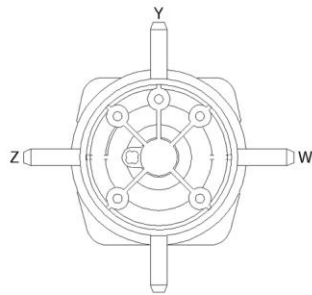
✓ = Recommended
 ✓ = Suitable with modification
 x = Not suitable

6721/6722 Vacuum Switch

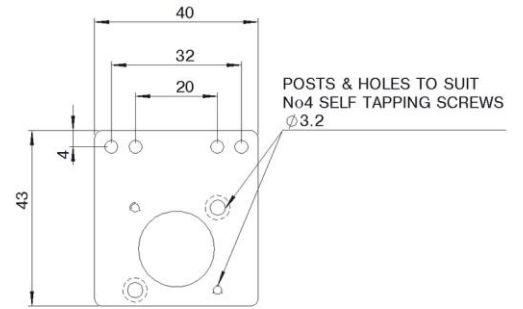
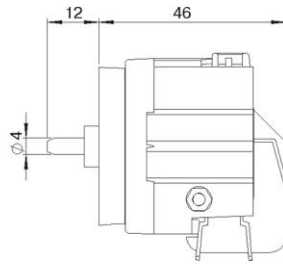
Model No		6721-03	6721-06	6721-20	6721-30	6721-40
Vacuum Range (mbar)	Min	75	180	330	710	1900
	Max	200	380	810	2030	6860
Body withstand pressure (mbar)	1,725					
Connecting tube reference	2311-01 / 2311-08 to suit 4mm dia. spout					
Diaphragm	Neoprene					
Mechanical Life		2 x 10 ⁶ cycles	2 x 10 ⁶ cycles	1 x 10 ⁶ cycles	1 x 10 ⁶ cycles	1 x 10 ⁶ cycles
Spring	Spring Steel fitted in vacuum cavity, therefore in contact with the media					

Electrical Data		6721-03		6721-06			6721-20/30/40		
Contact Configuration	SPCO								
Contact Plating	Silver								
Electrical Life		2 x 10 ⁵ @ 1A		2 x 10 ⁵ @ 6A 5 x 10 ⁴ @ 10A			2 x 10 ⁵ @ 10A 1 x 10 ⁴ @ 21A		
Electrical Rating	Max. Electrical Load								
		Voltage (V)	Resistive (A)	Inductive (A)	Resistive (A)	Inductive (A)	Motor (Pf0.75)	Resistive (A)	Inductive (A)
AC	125	3	1	10	3	0.5HP	21	15	1HP
AC	250	3	1	10	3	0.5HP	21	15	2HP
DC	6	3	1	10	3		21	21	
DC	12	3	1	5	3		15	15	
DC	24	1	0.5	5	3		8	7	
DC	60	1	0.5	1	0.5		1	0.5	
DC	110	0.5	0.2	0.5	0.2		0.5	0.2	
DC	220	0.5	0.1	0.25	0.1		0.25	0.1	

6721/6722 Vacuum Switch



Non standard tube connection positions for 4 Dia spout



Mounting Plate & 2 Screws
6050-6000-0001