

Buffer module **PVUC 24/24-10**



Advantages

Electronic overcurrent and short circuit protection
Reverse polarity protection
Configurable switch-in threshold
3 LEDs for signalling purposes
Isolated signal contact
Service-friendly spring-loaded connector system
Parallel connection option
Decoupled output
Panel installation on mounting rails

Applications

Maintenance-free buffer module to secure the power supply during short power interruptions.

Simplified diagram



Standards

Maintenance-free buffer module
to UL 508

Safety:
EN 60950, EN 60950 (SELV), EN 60204 (PELV)

EMC:
EN 61000-6-3 (Interference emissions), EN 61000-6-2 (Interference immunity)

Approvals



UL 508 (E219022)



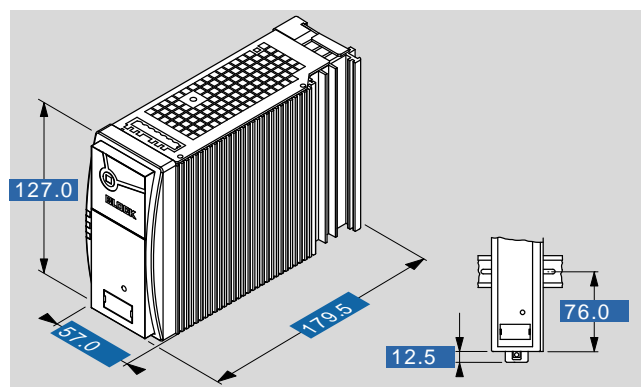
Buffer module PVUC 24/24-10

Electrical data

Type	PVUC 24/24-10
Input	
Input rated voltage	24 Vdc
Input voltage range	20 - 30 Vdc
Current input (idle/charging/max.)	60 mA / 1 A / 11 A
Switching threshold for buffer mode	20 - 24 Vdc
Output	
Output rated voltage	24 Vdc
Output voltage normal operation	typ. $U_{in} - 0.5$ Vdc (10 A)
Output rated voltage, battery mode	20 - 24 Vdc (adjustable)
Resistance to reverse feed max.	35 Vdc
Output rated current	10.00 A
Buffer period	0.4 s (10 A) / 6.3 s (1 A)
Charging time	typ. 5 minutes
Internal fuse	No
Overload behaviour	Constant current (typ. 11 A)
Parallel connection	Yes
Serial operation	No
max. Power loss idling/nominal load	1.5 / 6.5 W
Efficiency	typ. 97 %
Storage medium	
Type of the storage medium	Capacitors, internal
Signaling	
Operating status	LED green, LED red, LED yellow
Potential free signal contact	Changeover contact
Active signal outputs	No
Display, interface	No
Standards	
Classification	Maintenance-free buffer module
Approvals	
Approvals	cULus
Environment	
Ambient temperature	-10° C to +60° C
Storage temperature	-25° C to +85° C
Safety and protection	
Protection index	IP 20
Safety class	III, without PE connection
Reverse connection protection	Yes
Accessory	
Side DIN Rail mounting	PV-TS35M (optional)
Direct screw fastening plate for lateral mounting	PV-WB2 (optional)
Order numbers	
Order Number	PVUC 24/24-10

Mechanical data

Type	PVUC 24/24-10
Terminal and mounting	
Connections input, (spring clamp terminal, pluggable)	max. 2.5 mm ²
Connections output, (spring clamp terminal, pluggable)	max. 2.5 mm ²
Connections signalling, (spring clamp terminal, pluggable)	max. 2.5 mm ²
Mounting position	vertical
Fixing method	DIN Rail system TH 35
Measures and weights	
Weight	1.00 kg



Subjects to change.