

2-conductor miniature through terminal block

Item No.: 264-701



2-conductor miniature through terminal block

MarkingRoHS ✓
Compliant**Business data**

Supplier	WAGO
Item no.	264-701
GTIN / EAN	4044918415354
Content	1
Order amount	100
Customer item number	

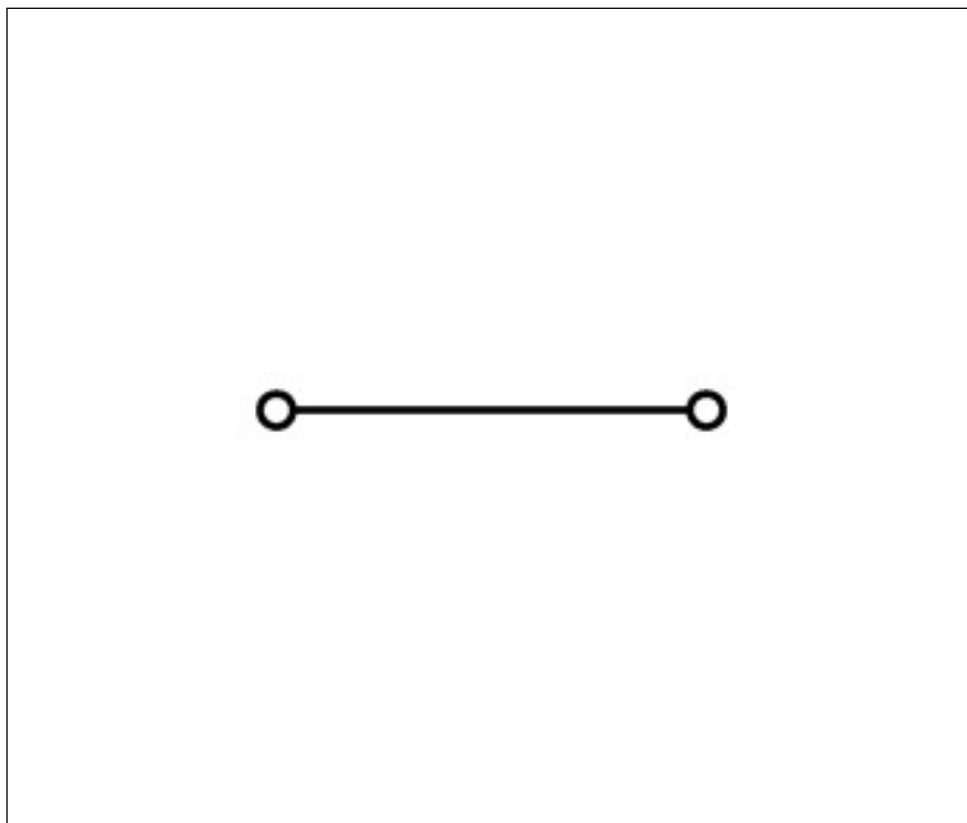
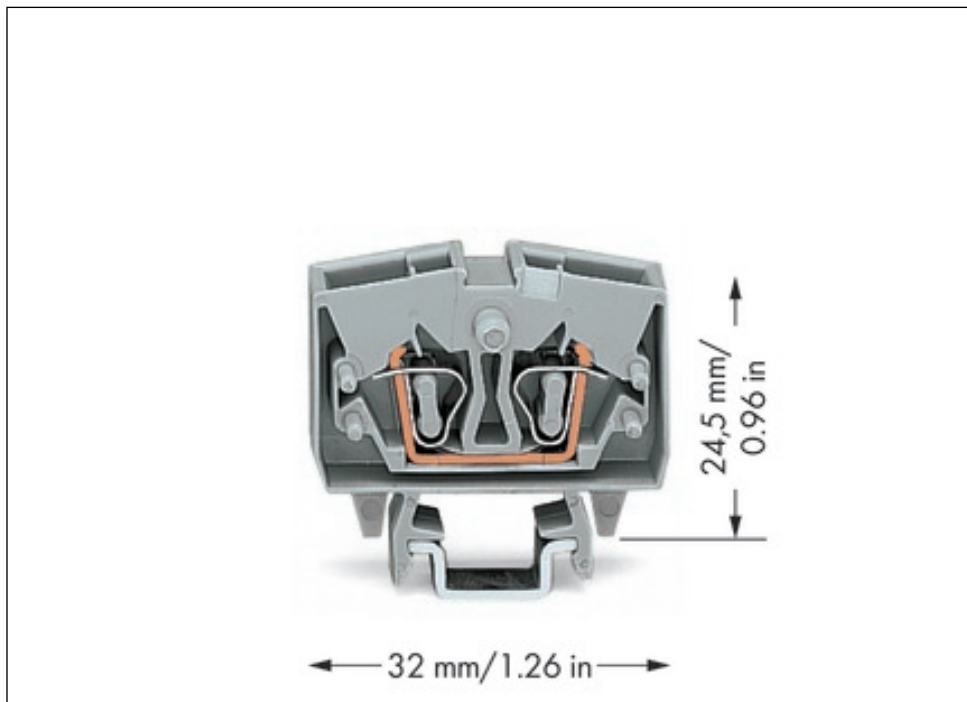
Notes**Technical data****Miscellaneous**

Total number of connection points	2
Total number of potentials	1
Color	gray
Pollution degree (1)	3
Rated voltage EN (1) [V]	800 [V]
Rated surge voltage (1) [kV]	8 [kV]
Nominal current [A]	24 [A]
Connection technology (1)	CAGE CLAMP®
Solid sizes 1	0.08 ... 2.5 mm ² / 28 ... 12 AWG
Fine-stranded wires 1	0.08 ... 2.5 mm ² / 28 ... 12 AWG

Technical data	
<i>Strip length 1</i>	<i>8 ... 9 mm / 0.31 ... 0.35 in</i>
<i>Note (conductor cross-section)</i>	<i>12 AWG: THHN, THWN</i>
<i>Type of wiring</i>	<i>Front-entry wiring</i>
<i>Design</i>	<i>horizontal</i>
<i>Marking level</i>	<i>Center marking</i>
<i>Fire load [MJ]</i>	<i>0.072 [MJ]</i>
<i>Weight [g]</i>	<i>3.801 [g]</i>
<i>Width</i>	<i>6 mm / 0.236 in</i>
<i>Height from upper-edge of DIN-rail [mm]</i>	<i>24.5 [mm]</i>
<i>Height from upper-edge of DIN-rail</i>	<i>24.5 mm / 0.965 in</i>
<i>Length</i>	<i>32 mm / 1.26 in</i>
<i>Type of mounting</i>	<i>DIN 15 rail</i>

Images & drawings





Address

WAGO Kontakttechnik GmbH & Co. KG

Hansastr. 27

32423 Minden

Telefon: 0571/887-0

Fax: 0571/887-169

<http://www.wago.com>

© WAGO Kontakttechnik GmbH & Co. KG

Technische Änderungen und Irrtümer vorbehalten.