

Workshop vernier callipers with fine adjustment

Parallax-free vernier scale reading

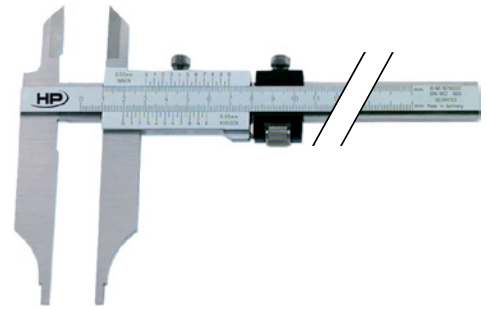
HELIOS·PREISSER

Application:

For measuring external and internal dimensions.

Version:

- Vernier scale and scale with anti-glare, brushed chromium-plated finish
- 2 graduations: mm/inch



Art. no.	31083 030
Min./max. length measuring range	0-300 mm
Length of jaw	90 mm
Measuring tips	Yes
Vernier scale	0.05 mm
Inner measurement scales	10 mm
Fine adjustment	Yes
Type of locating	With locking screw
Calibration Group	A
ISO	13385-1

EAN-Code

40297 13200985