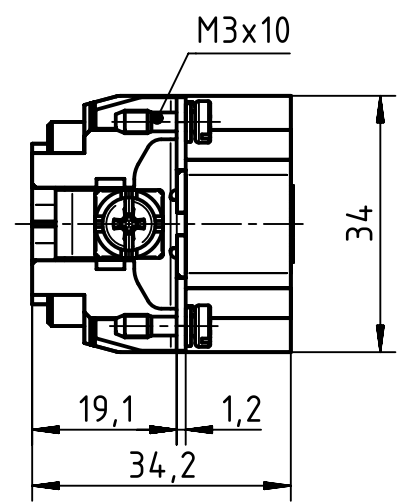
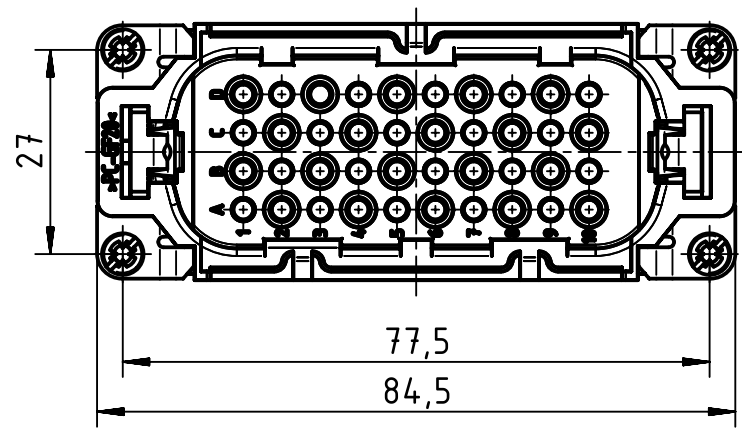
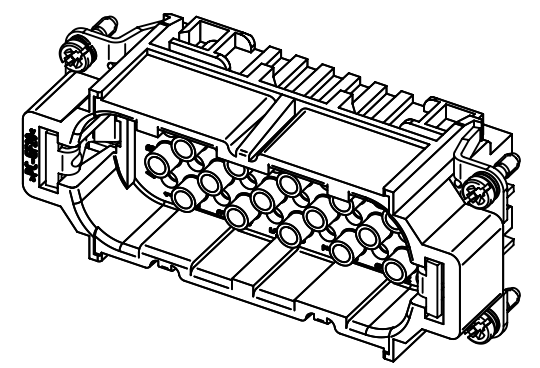
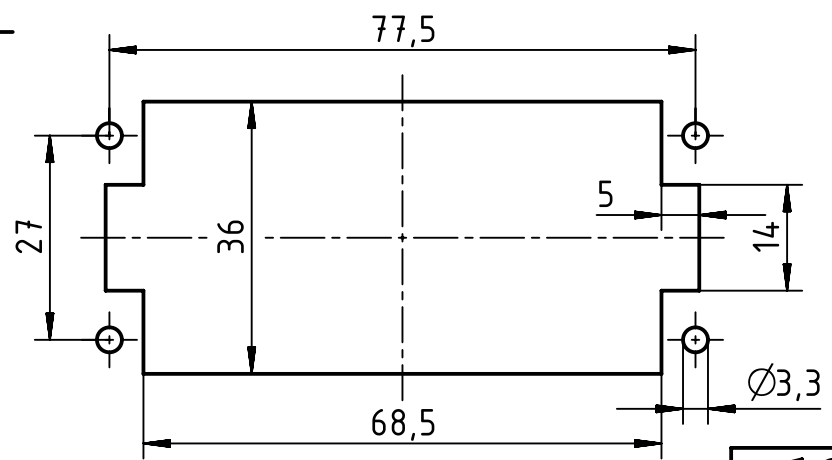



1 2 3 4 5 6

A
B
C
D



panel cut out



	All Dimensions in mm Original Size DIN A4		Scale 1:1	Free size tol.		Ref.	
	All rights reserved Department EL PD - DE		Created by MATAU	Inspected by PRIESTER	Standardisation TIEMANNA	Date 2016-09-15	State Final Release
HARTING Electric GmbH & Co. KG D-32339 Espelkamp		Title Han D 40 Pos. M Insert Crimp				Doc-Key / ECM-Nr. 100179628/UGD/004/A 500000102265	
		Type TB	Number 09 21 040 3001			Rev. A	Page 1/1