

Thermostats



Comfort



Energy savings



Ecological



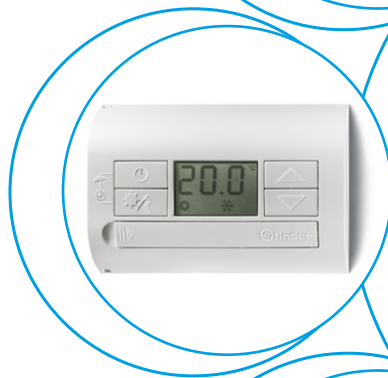
Flexibility



Heating and cooling

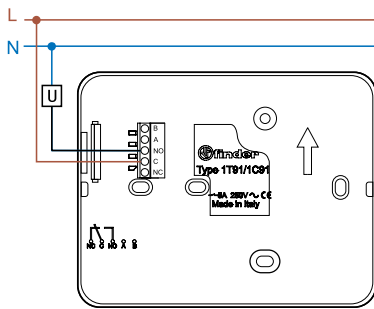


Building automation



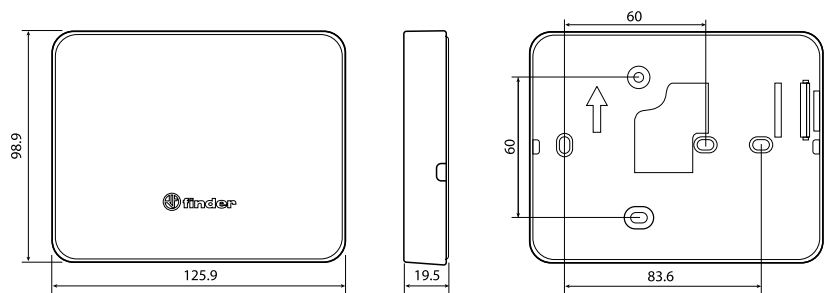
Thermostat

- Touch display with guided programming
- Stunning design
- Backlit touch keys
- Power supply: 2 1.5 V AA batteries
- 2 selectable temperatures (day/night)
- Summer/Winter switch
- PIN lock padlock function
- Temperature setting range 5-37°C
- Contact rating 5 A 250 V AC



Wiring diagram

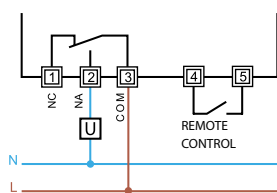
NEW 1T.91



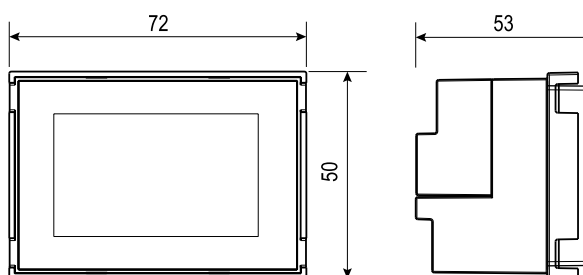
| Colour | Thermostat |
|--------------------------------------|------------------------|
| White | 1T.91.9.003.0000 |
| Technical features | |
| Sensing element | NTC |
| Supply | 2 batteries 1.5 V AA |
| Contact configuration | 1 CO (SPDT) |
| Contact rating | 5 A/250 V AC |
| Display range | 0...+50 °C |
| Temperature setting range | +5...+37 °C |
| Temperature differential | 0.2 °C self regulation |
| Temperature rate of change | — |
| Nighttime set-back | YES |
| Independently set temperature levels | 2 (day/night) |
| Thermostat lock | 3 digit PIN |
| Protection category | IP 20 |
| Mounting | Wall |
| Display resolution | 0.1 °C |
| Accuracy at +20 °C | +/-0.5 °C |
| Frost Protection | +5 °C |
| Energy saving function | — |
| Push buttons | Backlit touch keys |
| Supervisory control | NO |
| Back-light display | YES |
| Approvals (according to type) | CE EAC |

Digital "touch" thermostat

- Touch display with guided programming
- Bright backlighting
- ECO1 power-saving feature, supervisory control and PIN code
- Programmable with two operational temperature levels
- Functions: frost protection, pump anti-seizure and calibration functions
- Summer/Winter switch
- 2 level security - simple touch screen blocking or full 3-digit PIN lock
- Remote control input to change temperature or for switching On/Off
- Acoustic signal to confirm key operation
- Complete with adaptor for following frames:
 - ABB series Chiara
 - ABB series Mylos
 - Ave series S44
 - BTicino series Axolute
 - BTicino series Light
 - BTicino series Light tech
 - BTicino series Living
 - BTicino series Livinglight
 - BTicino series Matix
 - Gewiss series Chorus
 - Vimar series Eikon
 - Vimar series Eikon Evo
 - Vimar series Plana
 - Vimar series Arkè
 - Adapter type 01C.51 for BTicino series Livinglight Air switch plates



Wiring diagram

1T.51**Colour**

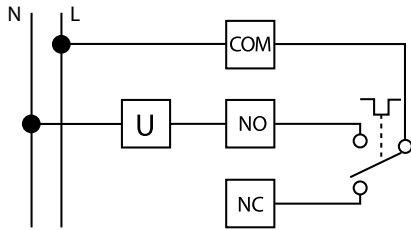
| | |
|-------|------------------|
| White | 1T.51.9.003.0000 |
| Black | 1T.51.9.003.2000 |

Technical features

| | |
|--------------------------------------|-----------------------|
| Sensing element | NTC |
| Supply | 2 batteries 1.5 V AAA |
| Contact configuration | 1 CO (SPDT) |
| Contact rating | 5 A/250 V AC |
| Display range | 0 - 50 °C |
| Temperature setting range | +5...+37 °C |
| Temperature differential | 0.1...0.9 °C |
| Temperature rate of change | — |
| Nighttime set-back | YES |
| Independently set temperature levels | 2 (day/night) |
| Thermostat lock | 3 digit PIN |
| Protection category | IP20 |
| Mounting | Recess (3 module box) |
| Display resolution | 0.1 °C |
| Accuracy at +20 °C | +/-0.5 °C |
| Frost Protection | +2...+8 °C |
| Energy saving function | E1 |
| Push buttons | Touch screen |
| Supervisory control | YES |
| Back-light display | YES |
| Approvals (according to type) | CE ENEC |

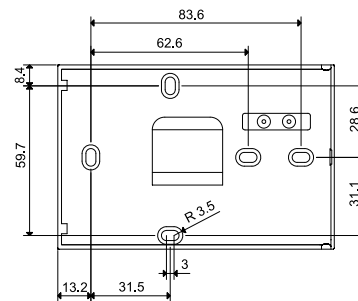
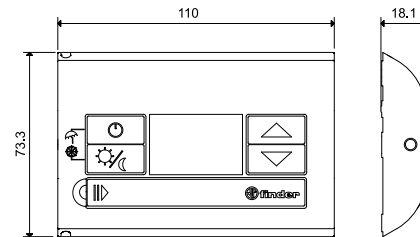
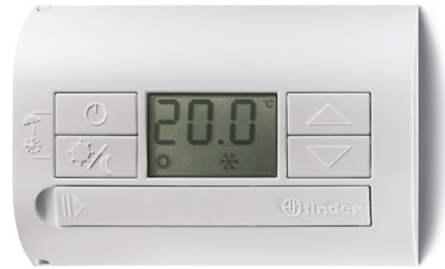
Digital room thermostat

- Independently set temperatures for Day and Night
- Temperature range (+5...+37)°C
- Supply voltage: 3 V DC
(2 batteries 1.5 V DC AAA)
- Thermostat lock
- Functions: OFF (with Frost protection)/
Summer/Winter
- Frost protection range (+2...+8)°C
- 1 changeover 5 A/250 V AC output
- On/Off hysteresis selectable (0.2 - 0.5)°C



Wiring diagram

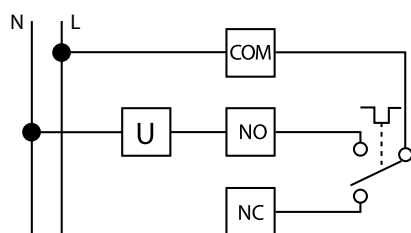
1T.31



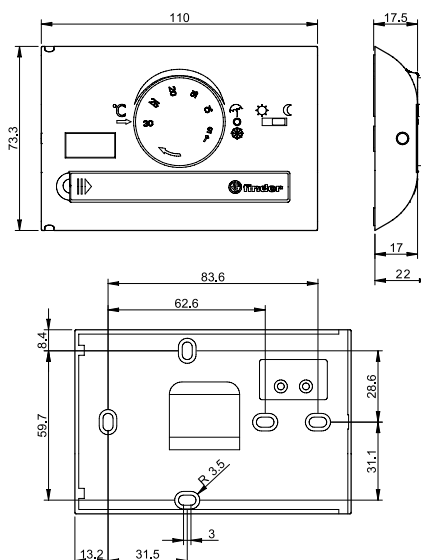
| | |
|--------------------------------------|-----------------------|
| Colour | |
| White | 1T.31.9.003.0000 |
| Black | 1T.31.9.003.2000 |
| Technical features | |
| Sensing element | NTC |
| Supply | 2 batteries 1.5 V AAA |
| Contact configuration | 1 CO (SPDT) |
| Contact rating | 5 A/250 V AC |
| Display range | 0...+50 °C |
| Temperature setting range | +5...+37 °C |
| Temperature differential | 0.2 - 0.5 °C |
| Temperature rate of change | — |
| Nighttime set-back | YES |
| Independently set temperature levels | 2 (day/night) |
| Thermostat lock | Push buttons |
| Protection category | IP20 |
| Mounting | Surface |
| Display resolution | 0.1 °C |
| Accuracy at +20 °C | +/-0.5 °C |
| Frost Protection | +2...+8 °C |
| Energy saving function | — |
| Push buttons | Mechanical |
| Supervisory control | NO |
| Back-light display | NO |
| Approvals (according to type) | CE EAC |

Digital room thermostat

- Temperature regulation from 5 to 33 °C
- Supply voltage: 3 V DC (2 batteries 1.5 V DC AAA)
- Functions: OFF (with Frost protection)/ Summer/Winter
- Programming: Day/Night (set-back by -3 °C)
- 1 changeover 5 A/250 V AC output
- Temperature setting range can be restricted, by internal mechanical blocking
- Display with:
 - Set temperature, actual temperature
 - Low battery
 - SUMMER/WINTER setting active
 - Heater/Air-conditioning ON



Wiring diagram

1T.41**Colour**

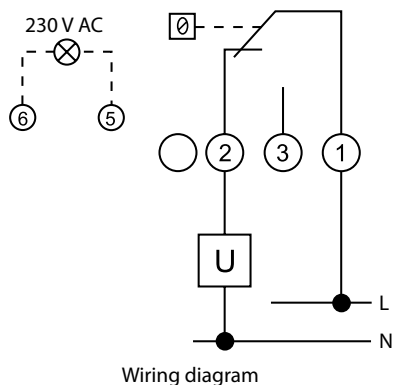
| | |
|-------|------------------|
| White | 1T.41.9.003.0000 |
| Black | 1T.41.9.003.2000 |

Technical features

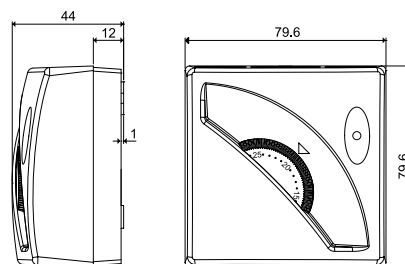
| | |
|--------------------------------------|---|
| Sensing element | NTC |
| Supply | 2 batteries 1.5 V AAA |
| Contact configuration | 1 CO (SPDT) |
| Contact rating | 5 A/250 V AC |
| Display range | 0...+50 °C |
| Temperature setting range | +8...+30 °C (night set-back: Winter +5...+27 °C/ Summer +11...+33 °C) |
| Temperature differential | 0.3 °C |
| Temperature rate of change | — |
| Nighttime set-back | YES (0.3 °C) |
| Independently set temperature levels | — |
| Thermostat lock | Mechanical |
| Protection category | IP20 |
| Mounting | Surface |
| Display resolution | 0.1 °C |
| Accuracy at +20 °C | +/-0.5 °C |
| Frost Protection | 5 °C |
| Energy saving function | — |
| Push buttons | Mechanical |
| Supervisory control | NO |
| Back-light display | NO |
| Approvals (according to type) | CE ENEC |

Room thermostat

- Temperature regulation (+7...+30)°C
- System operating - indicator light



1T.01.0



Colour

White

1T.01.0

Technical features

Sensing element

Gas bulb

Supply

—

Contact configuration

1 CO (SPDT)

Contact rating

16 A/250 V AC

Display range

—

Temperature setting range

+7...+30 °C

Temperature differential

0.4 - 0.8 °C

Temperature rate of change

1 °C/15 min

Nighttime set-back

—

Independently set temperature levels

—

Thermostat lock

Mechanical

Protection category

IP20

Mounting

Surface

Display resolution

—

Accuracy at +20 °C

—

Frost Protection

—

Energy saving function

—

Push buttons

—

Supervisory control

NO

Back-light display

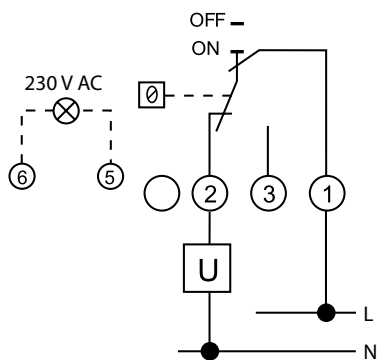
NO

Approvals (according to type)

CE EAC

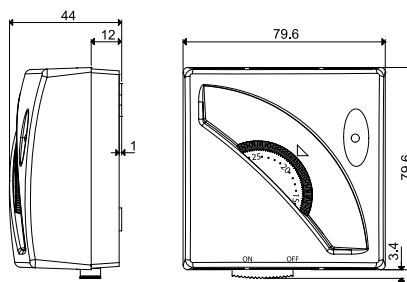
Room thermostat with ON/OFF switch

- ON/OFF switch
- Temperature regulation (+7...+30)°C
- System operating - indicator light



Wiring diagram

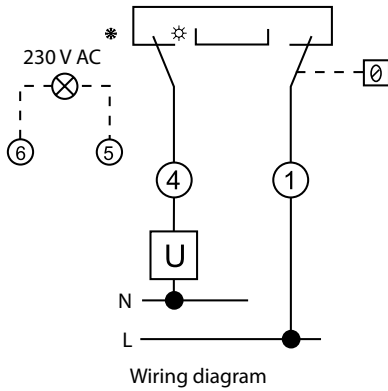
1T.01.1



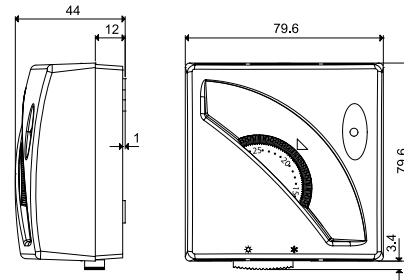
| | |
|--------------------------------------|----------------|
| Colour | |
| White | 1T.01.1 |
| Technical features | |
| Sensing element | Gas bulb |
| Supply | — |
| Contact configuration | 1 CO (SPDT) |
| Contact rating | 16 A/250 V AC |
| Display range | — |
| Temperature setting range | +7...+30 °C |
| Temperature differential | 0.4 - 0.8 °C |
| Temperature rate of change | 1 °C/15 min |
| Nighttime set-back | — |
| Independently set temperature levels | — |
| Thermostat lock | Mechanical |
| Protection category | IP20 |
| Mounting | Surface |
| Display resolution | — |
| Accuracy at +20 °C | — |
| Frost Protection | — |
| Energy saving function | — |
| Push buttons | — |
| Supervisory control | NO |
| Back-light display | NO |
| Approvals (according to type) | CE ENEC |

Room thermostat with SUMMER/WINTER switch

- SUMMER/WINTER switch
- Temperature regulation (+7...+30)°C
- System operating - indicator light



1T.01.2



Colour

White

1T.01.2

Technical features

| | |
|--------------------------------------|---------------|
| Sensing element | Gas bulb |
| Supply | — |
| Contact configuration | 1 CO (SPDT) |
| Contact rating | 16 A/250 V AC |
| Display range | — |
| Temperature setting range | +7...+30 °C |
| Temperature differential | 0.4 - 0.8 °C |
| Temperature rate of change | 1 °C/15 min |
| Nighttime set-back | — |
| Independently set temperature levels | — |
| Thermostat lock | Mechanical |
| Protection category | IP20 |
| Mounting | Surface |
| Display resolution | — |
| Accuracy at +20 °C | — |
| Frost Protection | — |
| Energy saving function | — |
| Push buttons | — |
| Supervisory control | NO |
| Back-light display | NO |

Approvals (according to type)



