

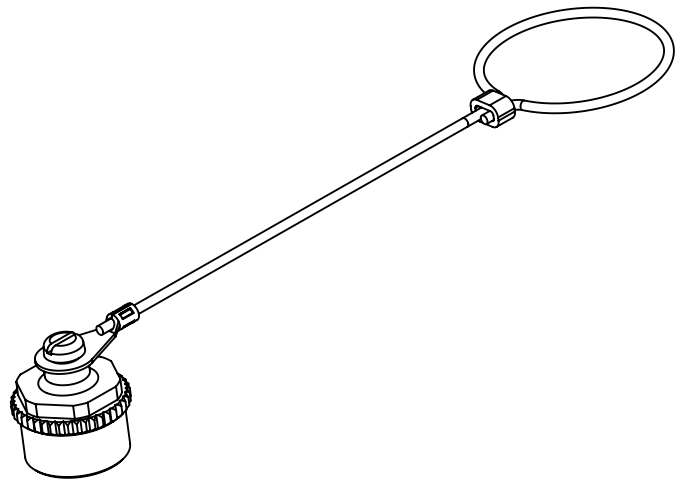
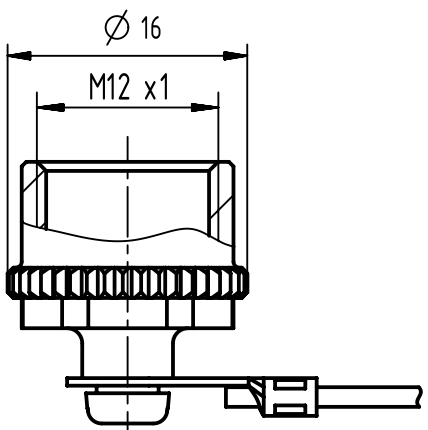
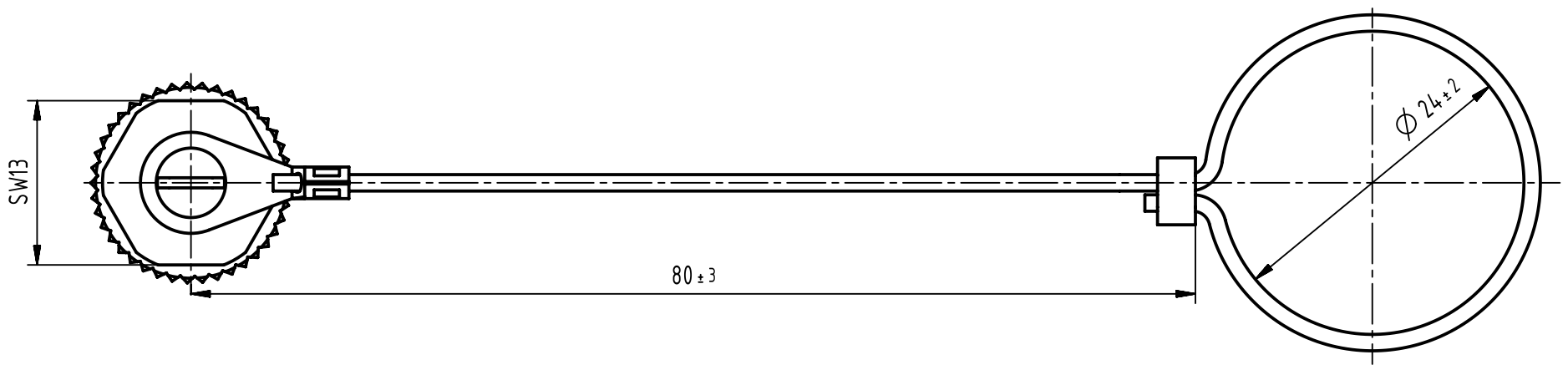
1 2 3 4 5 6


A

B

C

D



	All rights reserved Department EC PD - DE	All Dimensions in mm Original Size DIN A4		Scale 2:1	Free size tol.	Ref.	
		Created by DYCKC	Inspected by SCHREIER	Standardisation SCHREIER	Date 2013-05-07	State Final Release	
HARTING Electronics GmbH D-32339 Espelkamp		Title HARTING M12 protection cap for male				Doc-Key / ECM-Nr. 100224208/UGD/002/B 500000061835	
		Type TB	Number 21010000033			Rev. B	Page 1/1