



**Model Number**

**RL91-6-IR/25/38a/115**

Retroreflective sensor  
with 5 m fixed cable

**Features**

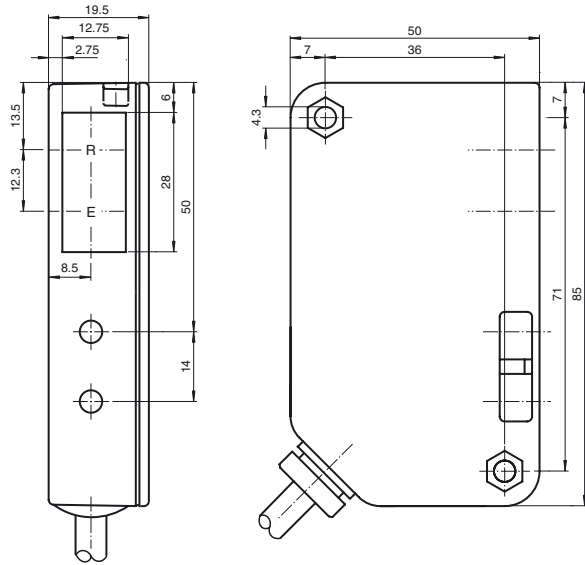
- Retroreflective sensor for single-beam closing edge protection
- Narrow housing suitable for small gaps
- Sturdy plastic housing
- Various possibilities for mounting
- Version with infrared light
- Version for supply voltage of up to 30 V DC
- Light on version

**Product information**

Concentration on the essentials is the hallmark of the 91 series. As ac/dc supply devices, these economical, reliable and easy-to-use photoelectric sensors can be used almost universally. Their narrow design means that they can be used in any environment.

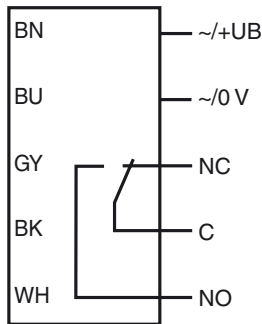
The single-beam photoelectric sensors of the 91 series are suitable for closing-edge monitoring for elevators, barriers and doors, as well as for object detection and object tracking in material handling systems.

**Dimensions**

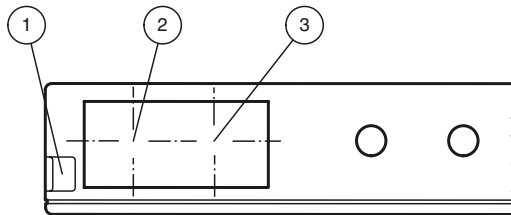


**Electrical connection**

Option:



**Indicators/operating means**



1	Functional display	red
2	Optical axis Receiver	
3	Optical axis Transmitter	

Release date: 2015-08-31 09:41 Date of issue: 2015-08-31 419061\_eng.xml

## Technical data

### General specifications

Effective detection range	0 ... 6 m
Reflector distance	0 ... 6 m
Threshold detection range	9 m
Reference target	H85-2 reflector
Light source	LED
Light type	modulated infrared light
Diameter of the light spot	approx. 230 mm at a distance of 6000 mm
Angle of divergence	approx. 2.5 °
Ambient light limit	90000 Lux

### Functional safety related parameters

MTTF <sub>d</sub>	1083.4 a
-------------------	----------

### Indicators/operating means

Function indicator	LED red, flashes when falling short of the stability control
--------------------	--

### Electrical specifications

Operating voltage	$U_B$	12 ... 30 V DC / 18 ... 28 V AC
No-load supply current	$I_0$	< 100 mA

### Output

Switching type	light on	
Signal output	Weak current relay, 1 alternator	
Switching voltage	≤ 55 V AC / 24 V DC	
Switching current	1 A / 24 V DC, 0.5 A / 110 V AC	
Switching power	max. 24 W / 55 VA	
Switching frequency	f	25 Hz
Response time		20 ms

### Ambient conditions

Ambient temperature	-20 ... 55 °C (-4 ... 131 °F)
Storage temperature	-20 ... 75 °C (-4 ... 167 °F)

### Mechanical specifications

Degree of protection	IP65
Connection	5 m fixed cable
Material	
Housing	Luran®
Optical face	Luran®
Mass	100 g
Note	Safety fuse ≤ 315 mA (slow-blow) according to IEC 60127-2 Sheet 1 Recommendation: after a short circuit, check that the device is functioning correctly.

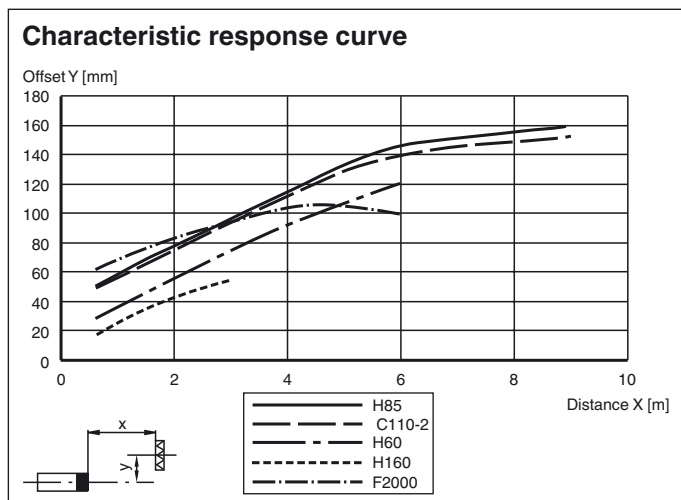
### Compliance with standards and directives

Standard conformity	
Product standard	EN 60947-5-2:2007 IEC 60947-5-2:2007

### Approvals and certificates

UL approval	cULus For overcurrent protection, install a fuse with a rated current of max. 5 A and min. 55 V AC
CCC approval	CCC approval / marking not required for products rated ≤36 V

## Curves/Diagrams



## Typical applications

- Closing-edge monitoring for elevators, barriers and industrial doors
- Detecting and tracking objects in material handling

## Detection area

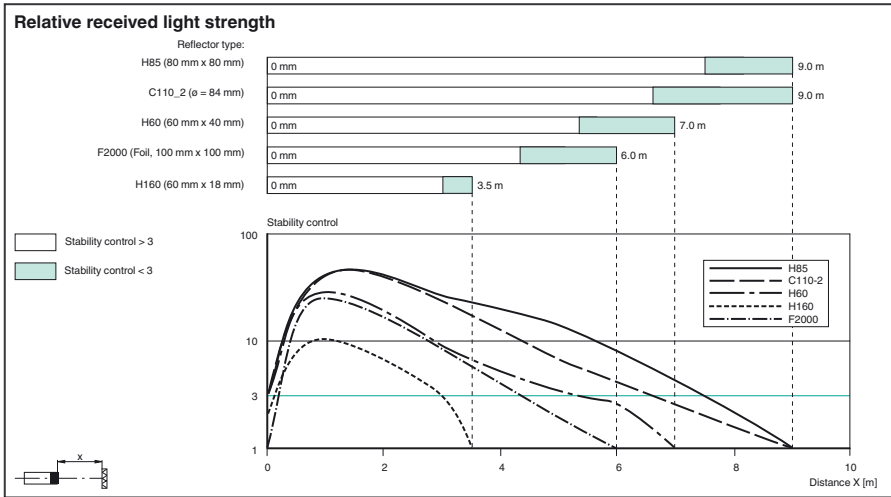


## Accessories

### OMH-91

Mounting bracket

Other suitable accessories can be found at [www.pepperl-fuchs.com](http://www.pepperl-fuchs.com)



### Operating principle

The retroreflective sensor contains the transmitter and receiver in a single housing. The light from transmitter is beamed back from a reflector to the receiver. If an object interrupts the light beam the switching function is initiated.