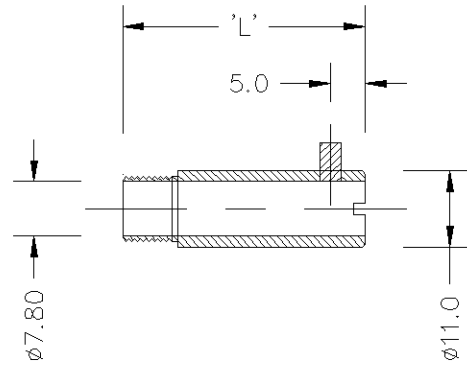


Datasheet

Thermocouple Bayonet Assemblies & Adaptors

Threaded bayonet adaptors in a choice of lengths to suit bayonet cap style thermocouples

Bayonet Adaptors:



(Image shows RS part 286-888 – 1/8" BSP x 48mm overall length)

- Threaded bayonet adaptors to suit bayonet cap style thermocouples
- 1/8" BSP parallel or M10 x 1mm thread
- Single pin
- 11mm diameter body (suits widely used 11.5mm inside diameter bayonet caps)
- 7.8mm bore through centre of adaptor
- Available in 35mm, 48mm & 64mm lengths
- Nickel plated brass finish

Thread Type	'L' Length	Allied code	RS order code
1/8" BSP	35mm	70637832	286-872
1/8" BSP	48mm	70637833	286-888
1/8" BSP	64mm	70637834	286-894
M10x1mm	35mm	70637836	286-917

Bayonet Assembly & Adaptor:



Part	Allied code	RS order code
Assembly	70637831	286-866
Adaptor	70637835	286-901

Assembly RS part 286-866

Adaptor: RS part 286-901

- Spring loaded bayonet assembly to suit 6.0mm dia. probe
- Grub screw type for securing to selected position on probe
- Matching 1/8" BSP parallel adaptor with 2 pins
- Adaptor has 15.9mm diameter body and is 22mm long overall
- 7.8mm bore through centre of adaptor
- Nickel plated brass finish