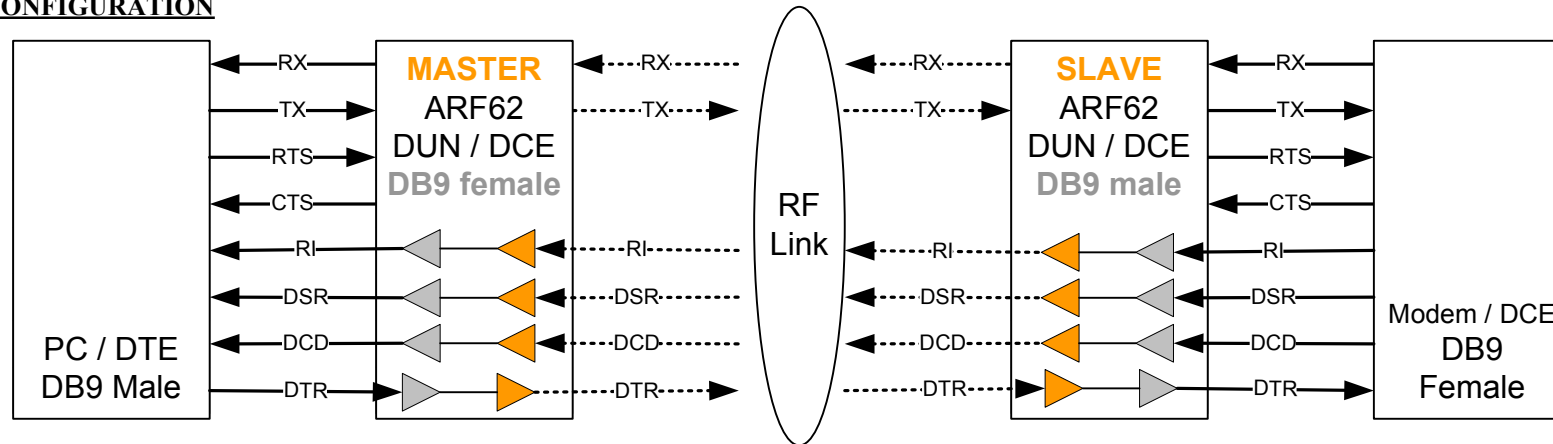


## TYPICAL DUN CONFIGURATION



ARF62 is designed to support DUN profile. Be careful using DUN profile impose signal direction. When using ARF62 in DUN profile :

- Master **MUST** be the ARF62 DB9 FEMALE unit (PC/DTE side connection)
- Slave **MUST** be the ARF62 DB9 MALE unit (Modem/DCE side connection)

→ Dongle type (male/female) assigns gray buffer direction

→ ARF62 role (MASTER/SLAVE) assigns orange buffer direction

Caution : using ARF62 (in DUN profile) without respecting these constraints can damaged ARF62 products (I/O conflict, see diagram below)

## PROHIBITED CONFIGURATION of ARF62 in DUN profile

**Red line identifies short circuit !!!**

Blue line highlights inactive link (Input connected to an input)

